



PRESSURE

PMI Technology

PRIGNITZ
MIKROSYSTEMTECHNIK

SPT Family: Standard Pressure Transmitters

For low pressure aggressive media applications
PMP-S131, PMP-S132

Datasheets

- HIGH MEDIA RESISTANCE
- SIGNAL CONDITIONING WITH ASSP
- HIGH INTEGRATION DENSITY
- VACUUM-TIGHT AND ELASTOMER-FREE
- FLEXIBLE FOR CUSTOMISED REQUIREMENT
- OIL FILLED SENSORS FOR AGGRESSIVE MEDIA



Examples of products

MAIN FEATURE

- **Pressure ranges***: from 0..60 mbar to 0..10 bar
- **Mechanical connections***: 1/2"-14 NPT; 1/4"-18 NPT; G1/4"B Mano EN 837; G1/2"B Mano EN 837; G1/4"A Form E; 7/16 - 20UNF; G1/2" Form E flush membrane
- **Electrical connections***: EN 175301-803-A; M12x1 (S763); Cable output
- **Wetted parts**: stainless steel 1.4404 (316L)
- **Response time****: 1 ms
- **Accuracy (25°C)**: ≤ 0.5 % FS after limit-point calibration
- **Optionally with**: EX protection (ATEX, IECEx, CSA)

*others on request. Different special custom-made solutions
** depend of SPT product-version

DESCRIPTION

Series of rugged pressure transmitters from SPT-Family for many applications like energy, gas, oil, chemical technologies, etc. Oil-filled Pressure cells for relative and absolute pressures. The pressure cells from 60 mbar to 10 bar are available for different fields of use. Signal processing of the measurement bridge is affected by ASSP (Application-specific standard parts).

APPLICATIONS



ENERGY TECHNOLOGY



AUTOMOTIVE INDUSTRY



CHEMICAL INDUSTRY



GAS TECHNOLOGY



MARINE & OFFSHORE



OIL TECHNOLOGY

TECHNICAL SPECIFICATIONS

INPUT PARAMETERS

Pressure ranges (bar) *											
Nominal pressure	0,1	0,16	0,25	0,4	0,6	1	1,6	2,5	4	6	10
Over pressure	1	1,5	2	2	4	5	10	5	8	12	20
Burst pressure	2	3	4	4	8	10	15	10	12	18	30
Pressure type **	gauge, sealed reference, absolute										
Mechanical connections *	9/16-18UNF 6M; 1/2"-14 NPT; 1/4"-18 NPT; G1/4"B Mano EN 837; G1/2"B Mano EN 837; G1/4"A Form E; 7/16 - 20UNF; G1/2" Form E flush membrane										
Tightening torque	typ. 25 Nm; max. 50 Nm										
Wetted parts	stainless steel 1.4404 (316L)										
Body material	stainless steel 1.4301										

OUTPUT SIZES

Electrical connections *	M12x1 (S763); EN 175301-803-A; Cable output; Packard Metri-Pack; EN 175301-803-C		
Output signal **	4..20 mA	1...5 V	ratiometric 0.5...4.5 V
Supply voltage	10...32 V	7...32 V	ratiometric 5 V DC±10 %
Load resistance	< (Vsupply-10)V/0.02A	≥ 2kOhm	≥ 2 kOhm
Response time	typ. 1 ms max. 2 ms		

PERFORMANCE CHARACTERISTICS

Accuracy (25°C)***	≤ ±0.5 % FS after limit-point calibration
Overall accuracy (- 5°C... 85°C)	≤ ±0.1 % FS / 10 K after limit-point calibration
Long-term stability	≤ 0.1 % FS per year in referential conditions
Ambient temperature	- 40...+ 105°C
Medium temperature	- 40...+ 125°C
Storage temperature	- 40...+ 125°C
Shock resistance	1000 g to IEC 60068-2-32
Vibration resistance	20 g to IEC 60068-2-6
Protection class	depending on electrical connection, see drawing of electrical connectors

ELECTRICAL PROTECTION

Reverse polarity	YES
Dielectric strength	HV 350 V DC
Short-circuit protection	KS Out+ / UB- (for 1s)

CE-CONFORMITY

EMV guideline	2014 / 30 / EU acc. to DIN EN 61326-1, DIN EN 61326-2-3
RoHS guideline	2011/65/EU

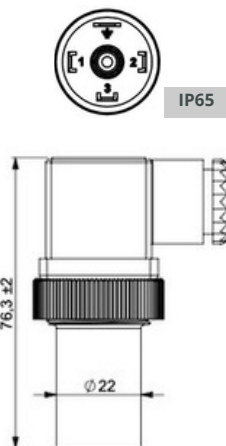
OTHER

Weight***	~ 100 g
Lifetime cycles	> 100 million

*others on request.

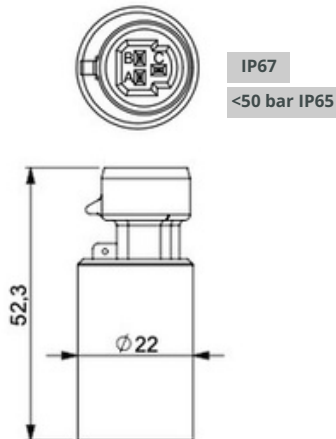
ELECTRICAL CONNECTION

EN 175301-803-A



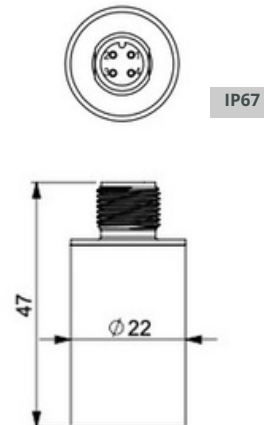
Output	Pin1	Pin2	Pin3	Pin4**
Voltage	+	-	V outCase	
4-20 mA 3 Wires	+	-	I outCase	
4-20 mA 2 Wires	+	-	nc Case	

Packard Metri-Pack



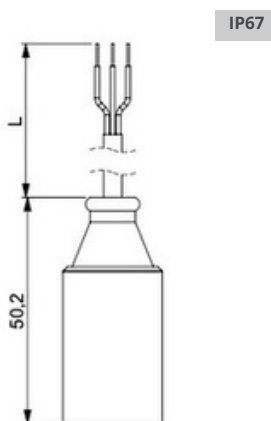
Output	PinA	PinB	PinC
Voltage	-	+	V out
4-20 mA 3 Wires	-	+	I out
4-20 mA 2 Wires	-	+	nc

M12x1 (S763)



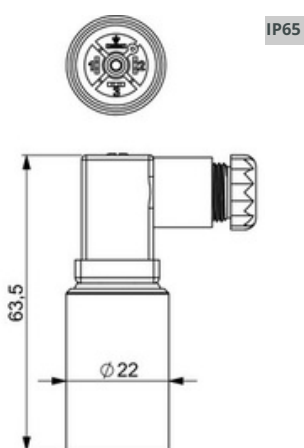
Output	Pin1	Pin2	Pin3	Pin4
Voltage	+	V out	-	nc
4-20 mA 3 Wires	+	I out	-	nc
4-20 mA 2 Wires	+	nc	-	nc

Cable output



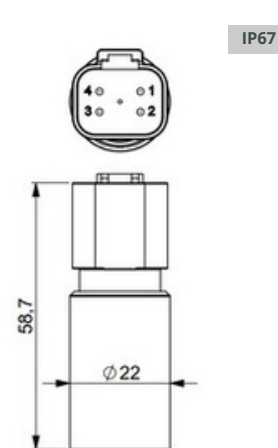
Output	white	brown	yellow
Voltage	+	-	V out
4-20 mA 3 Wires	+	-	I out
4-20 mA 2 Wires	+	-	nc

EN 175301-803-C



Output	Pin1	Pin2	Pin3	Pin4**
Voltage	+	-	V outCase	
4-20 mA 3 Wires	+	-	I outCase	
4-20 mA 2 Wires	+	-	nc Case	

Deutsch DT04-4P



Output	Pin1	Pin2	Pin3	Pin4
Voltage	+	-	nc	V out
4-20 mA 3 Wires	+	-	nc	I out
4-20 mA 2 Wires	+	-	nc	nc



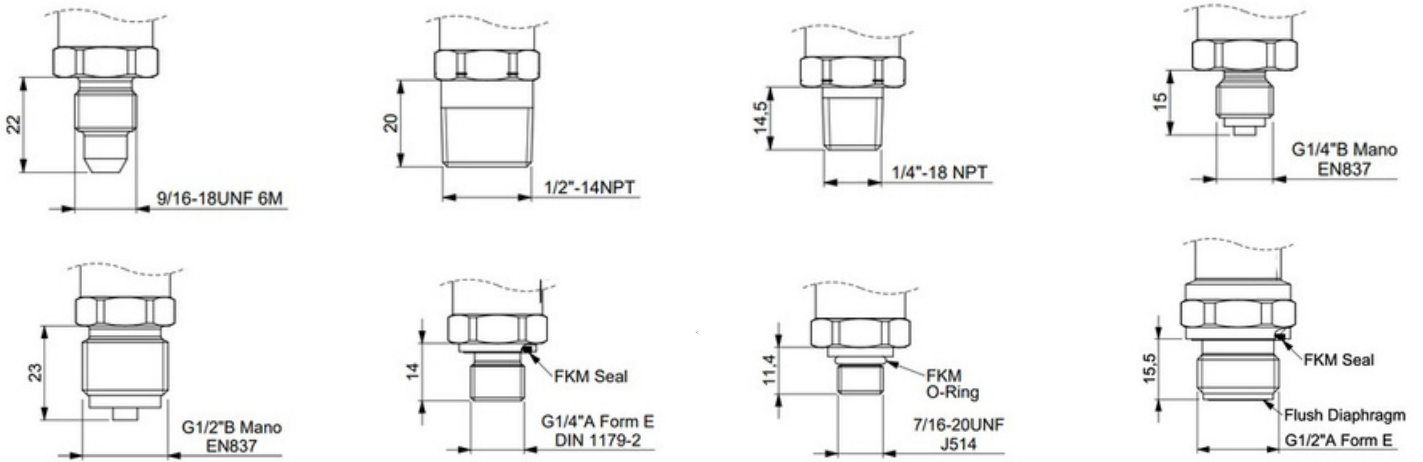
Before installation and operation, ensure that the appropriate pressure sensor has been selected in terms of pressure range, design and specific measuring conditions. Non compliance can result in serious injury and/or damage to the equipment. **WARNING:** Prignitz Mikrosystemtechnik reserve the right to modify their products without notice. It is imperative that we should be consulted over any particular use or application of our products and it is the responsibility of the buyer to establish, particularly through all the appropriate testes, that the product is suitable for the use or application. Under no circumstances will our warranty apply, nor shall we be held responsible for any application (such as any modification, addition, deletion, use in conjunction with other electrical or electronic components, circuits or assemblies, or any other unsuitable material or substance) which has not been expressly agreed by us prior to the sale of our products.

*Others on request

**optional

*

PROCESS CONNECTIONS



CUSTOMIZED SOLUTIONS

An indisputable advantage of the products from Prignitz Mikrosystemtechnik is that in addition to the specified parameters, a variety of specific customer requests can be implemented:

- EX versions are available for use in hazardous areas (ATEX, IECEx, CSA)
- other process and electrical connections available in a wide range of options
- analog output signals can be customized upon request.

Feel free to ask us. We are ready to implement individual solutions for you.

*others on request.

TRANSPORT, PACKAGING AND STORAGE

Transport

Check the pressure transmitter for any damage that may have been caused during transportation. Obvious damage must be reported immediately.

Packaging and storage

Do not remove packaging until just before mounting.

Keep the packaging as it will provide optimum protection during transport (e.g. change in installation site, sending for repair).

Permissible conditions at the place of storage:

- Storage temperature: -40 ... +125 °C

DISMOUNTING, RETURN AND DISPOSAL

Dismounting Physical injuries and damage to property and the environment caused by hazardous media Upon contact with hazardous media (e.g. oxygen, acetylene, flammable or toxic substances), harmful media (e.g. corrosive, toxic, carcinogenic, radioactive), and also with refrigeration plants and compressors, there is a danger of physical injuries and damage to property and the environment.

- Should a failure occur, aggressive media with extremely high temperature and under high pressure or vacuum may be present at the instrument.
- Wear the requisite protective equipment.

Dismounting the instrument

- Depressurise and de-energise the pressure transmitter.
- Disconnect the electrical connection.
- Unscrew the pressure transmitter with a spanner using the spanner flats.

Return

Strictly observe the following when shipping the instrument:

All instruments delivered to Prignitz Mikrosystemtechnik must be free from any kind of hazardous substances (acids, bases, solutions, etc.) and must therefore be cleaned before being returned.

APPROVALS CERTIFICATE

CE Compliance: EMC directive 2014 / 30 / EU according in EN 61326-2-3

RoHS guideline: 2011/65/EU

Approved according to the European Directive EC79/2009

PRIGNITZ-Mikrosystemtechnik GmbH is certified acc. to ISO 9001. We offer a multitude of products compliant with ATEX, IECEx, CSA, and other worldwide relevant qualifications.



****depend of CIT product-version**

Edition version: D/PMP-S131/PMP-S132-S/Rev.5/July.2025/ENG

HOW TO ORDER *

PMP-S1XX-XXX- (XX..XX)-XX-XX-XXX-XX-XXX

FAMILIES

S= SPT family

TECHNOLOGY & MATERIAL

31 = PMI Technology with steel 316 L, membrane inside
32 = PMI Technology with steel 316 L, flush membrane

ELECTRICAL OUTPUT

I2 = 4-20mA 2L
I3 = 4-20mA 3L
I30= 0-20mA 3L
UR = ratiometric
0U5= 0-5V
1U5= 1-5V
0U10= 0-10V

PRESSURE RANGES

e.g.
0...60
0...10

UNIT

e.g.
01: bar
18: mbar
14: MPa
16: psi

TYPE OF PRESSURE

g = gauge
S = sealed reference
a = absolute

Customised Article number

ELECTRICAL CONNECTION

01 = Packard connector 3 pins **02** = EN 175 301-803-A **03** = EN 175 301-803-C **05** = Flange connector M12 / 4 pins (Binder S763) **08** = DEUTSCH DT04-2P (2 pins) **09** = DEUTSCH DT04-3P (3 pins) **10** = DEUTSCH DT04-4P (4 pins) **11** = AMP Super Seal **Cable available**

SNUBBER

S = with snubber
N = without snubber

PROCESS CONNECTIONS

00=Customised
01=G1/4" Form E
02=G1/4" Form A
03=G1/2" Form E
04=G1/2" Form A
05=G1/2" B Mano
07=1/2" NPT
08=1/4" NPT
10=9/16" UNF
11=3/8" UNF
13=M12 x1
17=M18 x 1,5
18=M20 x 1,5 Mano
19=G1/4" B Mano
33=7/16-20 UNF 2A SAE J514

* customisation available on request



KOMPONENTY AUTOMATYKI PRZEMYSŁOWEJ

- Przetworniki ciśnienia
- Czujniki temperatury
- Czujniki położenia
- Presostaty, termostaty, wyłączniki
- Zawory elektromagnetyczne
- Zawory termostatyczne
- Zawory sterowane pneumatycznie

Danfoss



ANALIZA FIZYKO-CHEMICZNA

- Czujniki analityczne i systemy pomiarowe m.in. do: pH, redoks, przewodność, mętność, tlen, osad, środki dezynfekujące
- Moduły sterujące i wykonawcze
- Zespoły analityczne
- Przetworniki analityczne
- Akcesoria analityczne

ABB

Endress+Hauser **EXI**

KROHNE

WTW
a xylem brand



TECHNIKA NAPĘDOWA

- Przetwornice częstotliwości niskiego napięcia
- Przetwornice częstotliwości średniego napięcia
- Przetwornice zdecentralizowane
- Systemy modułowe
- Aktywne i pasywne filtry ograniczające THDi
- Sterowniki ruchu, serwonapędy i motoreduktory, softstartery

Danfoss

VAGON®



POMIAR POZIOMU

- Sygnalizatory wibracyjne, pojemnościowe, mikrofalowe oraz przewodnościowe
- Sondy radarowe
- Sondy ultradźwiękowe
- Sondy hydrostatyczne
- Pomiar radiometryczny

Endress+Hauser **EXI**

SIEMENS



CHŁODNICTWO PRZEMYSŁOWE

- Zawory: rozprężne, zwrotne, odcinające, bezpieczeństwa, blokowe, regulacyjne oraz elektromagnetyczne
- Filtry
- Wzierniki
- Presostaty oraz termostaty
- Sprężarki oraz agregaty skraplające
- Sterowniki programowalne
- Części oraz zestawy naprawcze

Danfoss



POMIAR PRZEPŁYWU

- Przepływomierze elektromagnetyczne
- Przepływomierze masowe Coriolisa
- Przepływomierze ultradźwiękowe
- Przepływomierze rotametryczne
- Przepływomierze różnicy ciśnień
- Przepływomierze Vortex

ABB

Endress+Hauser **EXI**

KROHNE

SIEMENS



POMPY I AGREGATY PRZEMYSŁOWE

- Pompy przemysłowe, dozujące i specjalne
- Zawory regulacyjne i przelewowe
- Filtry
- Dysze palnikowe, wodne, przemysłowe
- Agregaty i akumulatory ciśnienia
- Pompy wysokociśnieniowe

Danfoss

hp
TECHNIK

KSB

TRADMATIK
CENTRUM DYSTRYBUCJI

TRADMATIK Sp. z o.o.

ul. Oliwska 66
80-209 Chwaszczyno
Tel.: +48 786 924 024
Tel.: +48 58 511 06 70
biuro@tradmatik.pl
www.tradmatik.pl

Danfoss

ABB

hp
TECHNIK

Endress+Hauser **EXI**

KSB

KROHNE

SIEMENS

VEGA

WTW
a xylem brand