


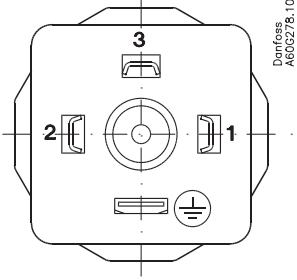
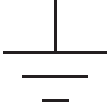

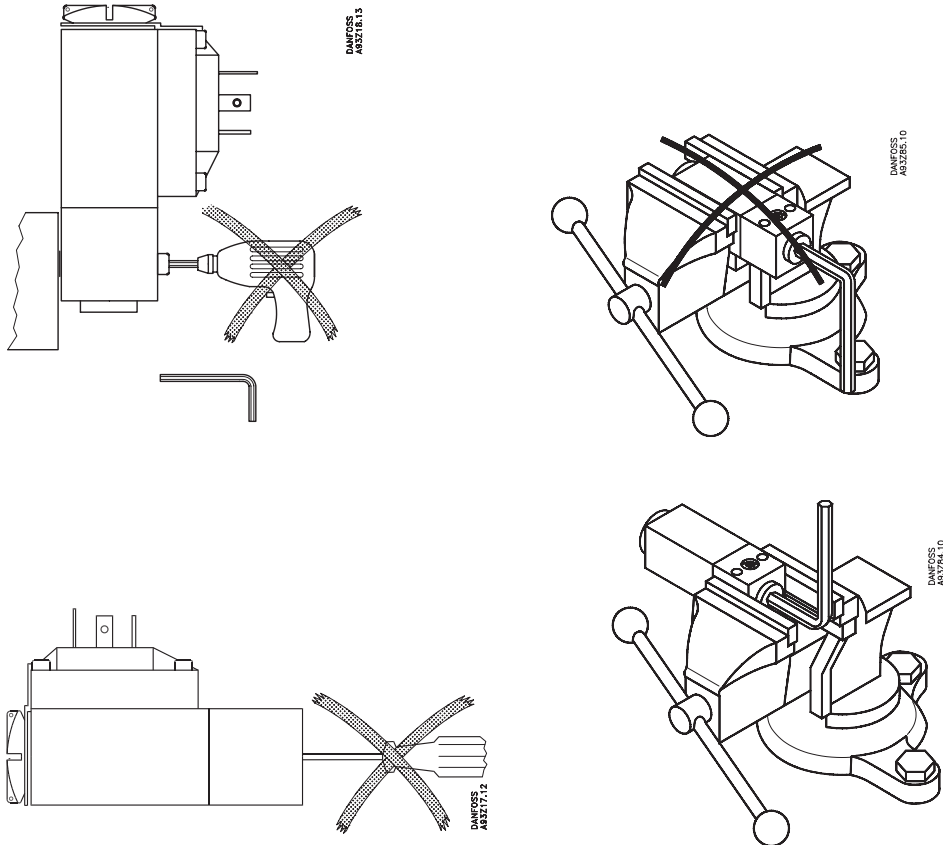
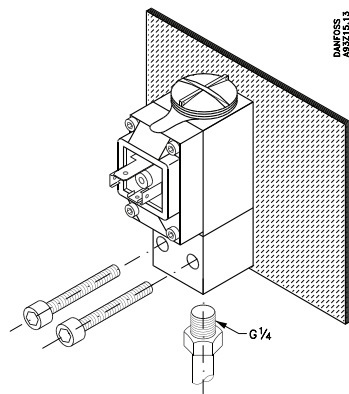


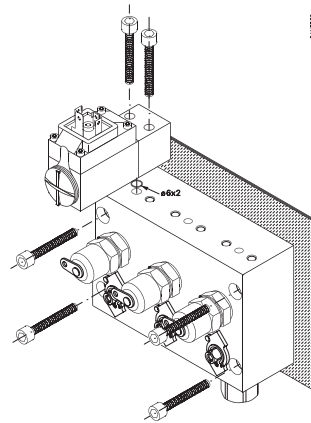
Blokowe przetworniki ciśnienia

MBS 5100, MBS 5103, MBS 5150, MBS 5153

 	<p>Podłączenie elektryczne: Electrical connection: Elektrischer Anschluss: Raccordement électrique: Conexión eléctrica: Connessione elettrica:</p> <p>Sprawdź oznaczenie na produkcie See product label Siehe Produktschild Voir étiquette du produit Ver la pegatina en el producto vedi etichetta sulla confezione</p>
	<p>EN 175301-803</p>  <p>Danfoss A600278..10</p>  <p>Styk połączony z korpusem przetwornika Connected to enclosure Anschluss an das Gehäuse Connecté au boîtier Conectado a la caja Collegato al corpo</p>
	 <p>Danfoss A63218..13</p> <p>Danfoss A63217..12</p>

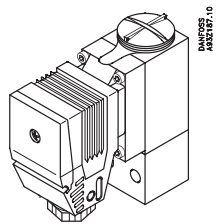


Danfoss
A93206.13



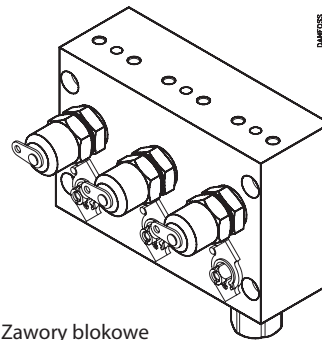
Danfoss
A93206.14

Gwint/Thread/Gewinde/Filetage/Rosca/ Filetato Kolnierz/Flange/Flansch/Bride/Brida/Flangiato



Danfoss
A93206.10

Przetworniki ciśnienia
MBS 5100/5103, MBS 5150/5153

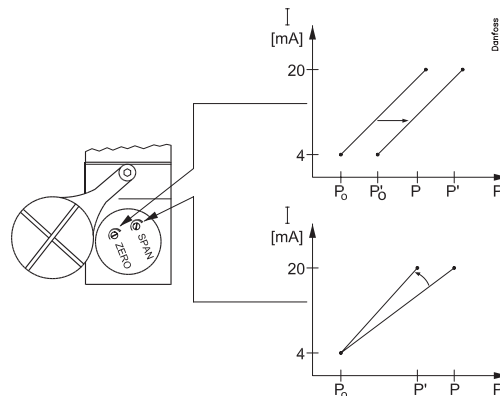


Danfoss
A93206.10

Zawory blokowe
MBV 5000

MBS 5100, MBS 5150

Nastawa punktu zerowego	
0 - 1 - 0 - 10 bar	-5 - +20% FS
0 - 16 - 0 - 40 bar	-5 - +10% FS
0 - 60 - 0 - 600 bar	-5 - +2.5% FS
Nastawa zakresu	
	-5 - +5% FS



Danfoss
A93206.14



-40 - +85°C



American and Canadian approvals:
Not MBS 5103/5153

1. Temperature indicating equipment acc. to UL 873, file no E31024 and Process control equipment acc. to CSA std. C22.2 no 142-M1987



2. Class I, Div. 2, Group A, B, C and D acc. to UL 1604, file no E227388 and Non-incendive electrical equipment for use in Class I, Div. 2, Group A, B, C and D acc. CSA std. no C22.2 no 213-M1987
Must be powered by a Class 2 power supply when used in Haz. Loc. Class I, Div. 2, Group A, B, C and D.
Ambient temperature 85° C/ 185° F
Temperature code T4
MWP 600 bar/ 8700 psi.



Australian approvals:
According to N1297