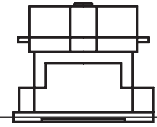
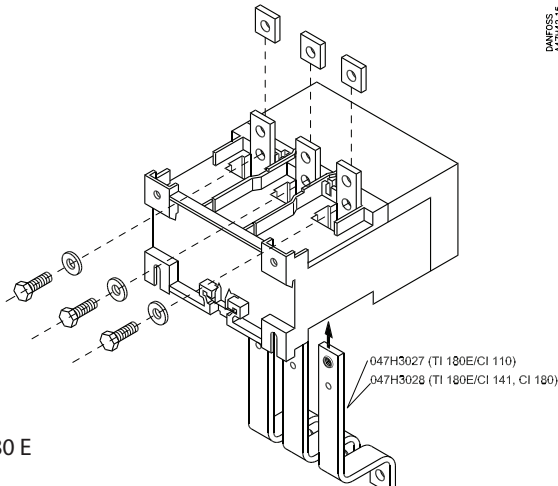
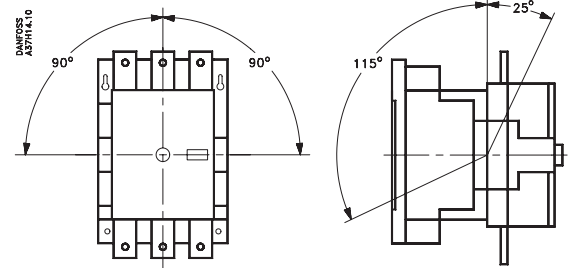


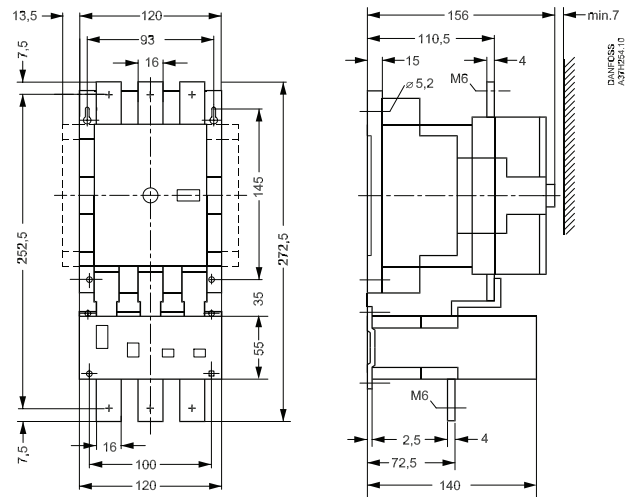
Stycznik CI 110, Przekaznik termiczny TI 180 E



CI 110	Zestaw		DANFOSS A47-401.10
L1 1 L2 3 L3 5			DANFOSS A47-402.10
2 T1 4 T2 6 T3	CI 110 HU		DANFOSS A47-403.10
037H3244	16-50 mm ² No.: 6-1/0 AWG		DANFOSS A47-403.10
	16-95 mm ² No.: 6-3/0 MCM		DANFOSS A47-403.10
13 83			DANFOSS A47-403.10
14 84	2 × 1...4 mm ² 2 × 1...2.5 mm ²		DANFOSS A47-403.10
A1 A2	2 × No. 16 AWG...12 AWG		DANFOSS A47-403.10



TI 180 E



CI 110 + TI 180

