

Data sheet

Solenoid valves 2/2-way direct operated type EV210B



EV210B covers a wide range of direct-operated 2/2-way solenoid valves for universal use.

EV210B is a very robust valve program with high performance and can be used in all kind of tough working conditions in demanding industrial applications such as control and closure.

Features and versions:

- For water, oil, compressed air and similar neutral media.
- Flow range: 0 – 8 m³/h
- Differential pressure: 0 – 30 bar
- Media temperature: -30 – 140 °C
- Ambient temperature: Up to 80 °C
- Coil enclosure : Up to IP67
- Tread connections: G 1/8 – G 1
- DN 1.5 – 25
- Viscosity: Up to 50 cSt
- The valves can be used for vacuum
- EV210B brass version for water, oil, compressed air and similar neutral media
- EV210B stainless steel version for neutral and aggressive liquids and gasses
- Also available with NPT thread. See separate datasheet

EV210B solenoid valves 2/2-way direct operated
EV210B brass valve body, NC


Conn. ISO 228/1	Seal material	Orifice size	kv value [m ³ /h]	Differential pressure min. to max. [bar] /coil type ²⁾						Media temperature min. to max. [°C]	Code number		
				BA 9 [W a.c.]	BA 15 [W d.c.]	BD 15 [W a.c.]	BB 10 [W a.c.]	BB 18 [W d.c.]	BG 12 [W a.c.]			BG 20 [W d.c.]	
G 1/8	EPDM ¹⁾	1.5	0.08	0 – 30	0 – 30	0 – 30	0 – 30	0 – 30	0 – 30	0 – 30	-30 – 90	032U5701	
	FKM		0.08	0 – 30	0 – 30	0 – 30	0 – 30	0 – 30	0 – 30	0 – 30	0 – 90	032U5702	
	EPDM ¹⁾	2.0	0.15	0 – 30	0 – 20	0 – 30	0 – 30	0 – 30	0 – 30	0 – 30	-30 – 90	032U5714	
	FKM		0.15	0 – 30	0 – 20	0 – 30	0 – 30	0 – 30	0 – 30	0 – 30	0 – 90	032U5704	
	EPDM ¹⁾	3.0	0.30	0 – 15	0 – 9	0 – 24	0 – 20	0 – 13	0 – 30	0 – 25	-30 – 90	032U5705	
	FKM		0.30	0 – 15	0 – 9	0 – 24	0 – 20	0 – 13	0 – 30	0 – 25	0 – 90	032U5706	
G 1/4	FKM	1.5	0.08	0 – 30	0 – 30	0 – 30	0 – 30	0 – 30	0 – 30	0 – 30	0 – 90	032U3629	
	EPDM ¹⁾		0.15	0 – 30	0 – 20	0 – 30	0 – 30	0 – 30	0 – 30	0 – 30	-30 – 90	032U5707	
	FKM	2.0	0.15	0 – 30	0 – 20	0 – 30	0 – 30	0 – 30	0 – 30	0 – 30	0 – 90	032U5708	
	EPDM ¹⁾		0.30	0 – 15	0 – 9	0 – 24	0 – 20	0 – 13	0 – 30	0 – 25	-30 – 90	032U5709	
	FKM	3.0	0.30	0 – 15	0 – 9	0 – 24	0 – 20	0 – 13	0 – 30	0 – 25	0 – 90	032U5710	
	EPDM ¹⁾		0.55	0 – 8	0 – 3.5	0 – 12	0 – 10	0 – 4.5	0 – 13	0 – 9	-30 – 90	032U3600	
	FKM	4.5	0.55	0 – 8	0 – 3.5	0 – 12	0 – 10	0 – 4.5	0 – 13	0 – 9	0 – 90	032U3601	
	EPDM ¹⁾		0.70	0 – 2.5	0 – 1.0	0 – 3.3	0 – 4.0	0 – 2.0	0 – 6	0 – 4.5	-30 – 90	032U3602	
	FKM	6.0	0.70	0 – 2.5	0 – 1.0	0 – 3.3	0 – 4.0	0 – 2.0	0 – 6	0 – 4.5	0 – 90	032U3603	
	EPDM ¹⁾		0.30	0 – 15	0 – 9	0 – 24	0 – 20	0 – 13	0 – 30	0 – 25	-30 – 90	032U3642	
G 3/8	FKM	3.0	0.30	0 – 15	0 – 9	0 – 24	0 – 20	0 – 13	0 – 30	0 – 25	0 – 90	032U3643	
	EPDM ¹⁾		0.55	0 – 8	0 – 3.5	0 – 12	0 – 10	0 – 4.5	0 – 13	0 – 9	-30 – 90	032U3605	
	FKM	4.5	0.55	0 – 8	0 – 3.5	0 – 12	0 – 10	0 – 4.5	0 – 13	0 – 9	0 – 90	032U3606	
	EPDM ¹⁾		0.70	0 – 2.5	0 – 1.0	0 – 3.3	0 – 4.0	0 – 2.0	0 – 6	0 – 4.5	-30 – 90	032U3607	
	FKM	6.0	0.70	0 – 2.5	0 – 1.0	0 – 3.3	0 – 4.0	0 – 2.0	0 – 6	0 – 4.5	0 – 90	032U3608	
	EPDM ¹⁾		1.00	0 – 1.5	0 – 0.5	0 – 2.0	0 – 2.0	0 – 1.2	0 – 3	0 – 2.5	-30 – 90	032U3609	
	FKM	8.0	1.00	0 – 1.5	0 – 0.5	0 – 2.0	0 – 2.0	0 – 1.2	0 – 3	0 – 2.5	0 – 90	032U3610	
	EPDM ¹⁾		1.50	0 – 0.8	0 – 0.3	0 – 1.1	0 – 1.2	0 – 0.6	0 – 1.6	0 – 1.3	-30 – 90	032U3611	
	FKM	10.0	1.50	0 – 0.8	0 – 0.3	0 – 1.1	0 – 1.2	0 – 0.6	0 – 1.6	0 – 1.3	0 – 90	032U3612	
	EPDM ¹⁾		2.50	0 – 0.25	-	0 – 0.4	0 – 0.3	0 – 0.15	0 – 0.45	0 – 0.4	-30 – 90	032U3613	
	FKM	15.0	2.50	0 – 0.25	-	0 – 0.4	0 – 0.3	0 – 0.15	0 – 0.45	0 – 0.4	0 – 90	032U3614	
	EPDM ¹⁾		1.00	0 – 1.5	0 – 0.5	0 – 2.0	0 – 2.0	0 – 1.2	0 – 3	0 – 2.5	-30 – 90	032U3615	
	G 1/2	FKM	8.0	1.00	0 – 1.5	0 – 0.5	0 – 2.0	0 – 2.0	0 – 1.2	0 – 3	0 – 2.5	0 – 90	032U3616
		EPDM ¹⁾		1.50	0 – 0.8	0 – 0.3	0 – 1.1	0 – 1.2	0 – 0.6	0 – 1.6	0 – 1.3	-30 – 90	032U3617
FKM		10.0	1.50	0 – 0.8	0 – 0.3	0 – 1.1	0 – 1.2	0 – 0.6	0 – 1.6	0 – 1.3	0 – 90	032U3618	
EPDM ¹⁾			2.85	0 – 0.25	-	0 – 0.4	0 – 0.3	0 – 0.15	0 – 0.45	0 – 0.4	-30 – 90	032U3619	
FKM		15.0	2.85	0 – 0.25	-	0 – 0.4	0 – 0.3	0 – 0.15	0 – 0.45	0 – 0.4	0 – 90	032U3620	
EPDM ¹⁾			4.50	-	-	-	0 – 0.28	0 – 0.12	0 – 0.4	0 – 0.35	-30 – 90	032U3621	
G 3/4	FKM	20.0	4.50	-	-	-	0 – 0.28	0 – 0.12	0 – 0.4	0 – 0.35	0 – 90	032U3622	
	EPDM ¹⁾		8.00	-	-	-	0 – 0.25	0 – 0.09	0 – 0.35	0 – 0.2	-30 – 90	032U3623	
G 1	FKM	25.0	8.00	-	-	-	0 – 0.25	0 – 0.09	0 – 0.35	0 – 0.2	0 – 90	032U3624	

¹⁾ 140 °C / 3.6 bar low pressure steam, orifice DN 1.5 – 4.5.
 - Low pressure steam: DN 1.5 – 3 Use coil type BB or BG.
 DN 4.5 Use coil type BG

²⁾ Pressure range can be extended to use in rough vacuum, typically up to 99% vacuum (10mbar), depending on the application.

EV210B solenoid valves 2/2-way direct operated

Technical data, EV210B NC

Type	EV210B 1.5 – 2	EV210B 3 – 4.5	EV210B 6	EV210B 8 – 10	EV210B 15	EV210B 20	EV210B 25
Time to open [ms] ¹⁾	10	20	20	20	30	40	40
Time to close [ms] ¹⁾	20	20	20	30	50	50	70
Max test pressure	50 bar	50 bar	50 bar	50 bar	12 bar	12 bar	12 bar

¹⁾ The times are indicative and apply to water. The exact times will depend on the pressure conditions.

Installation	Optional, but vertical solenoid system is recommended		
Tightness	Internally: Better than 8.3×10^{-2} mbar l/sec (5ccm air per min.) Externally: Better than 1×10^{-3} mbar l/sec (100% H ₂)		
Ambient temperature	Max. 80 °C (depending on coil type)		
Viscosity	Max. 50 cSt		
Materials	Valve body	Brass	W.no.2.0402
	Armature	Stainless steel	W.no.1.4105 / ASIS 430FR
	Armature tube	Stainless steel	W.no.1.4306 / ASIS 304L
	Armature stop	Stainless steel	W.no.1.4105 / ASIS 430FR
	Springs	Stainless steel	W.no.1.4306 / ASIS 301
	Seal material: See specific data in table.		

EV210B solenoid valves 2/2-way direct operated

EV210B brass valve body, NO



Conn. ISO 228/1	Seal material	Orifice size	k _v value [m ³ /h]	Differential pressure min. to max. [bar] /coil type ²⁾							Media temperature min. to max. [°C]	Code number	
				BA 9 [W a.c.]	BA 15 [W d.c.]	BD 15 [W a.c.]	BB 10 [W a.c.]	BB 18 [W d.c.]	BG 12 [W a.c.]	BG 20 [W d.c.]			
G 1/8	EPDM ¹⁾	1.5	0.08	0 – 30	0 – 30	0 – 30	0 – 30	0 – 30	0 – 30	0 – 30	0 – 30	-30 – 120	032U3630
G 1/8	FKM	1.5	0.08	0 – 30	0 – 30	0 – 30	0 – 30	0 – 30	0 – 30	0 – 30	0 – 30	-10 – 100	032U3631
G 1/8	EPDM ¹⁾	2.0	0.15	0 – 12	0 – 12	0 – 12	0 – 12	0 – 12	0 – 12	0 – 12	0 – 12	-30 – 120	032U3632
G 1/8	FKM	2.0	0.15	0 – 12	0 – 12	0 – 12	0 – 12	0 – 12	0 – 12	0 – 12	0 – 12	-10 – 100	032U3633
G 1/8	EPDM ¹⁾	3.0	0.30	0 – 5	0 – 5	0 – 5	0 – 5	0 – 5	0 – 5	0 – 5	0 – 5	-30 – 120	032U3634
G 1/8	FKM	3.0	0.30	0 – 5	0 – 5	0 – 5	0 – 5	0 – 5	0 – 5	0 – 5	0 – 5	-10 – 100	032U3635
G 1/4	EPDM ¹⁾	2.0	0.15	0 – 12	0 – 12	0 – 12	0 – 12	0 – 12	0 – 12	0 – 12	0 – 12	-30 – 120	032U3636
G 1/4	FKM	2.0	0.15	0 – 12	0 – 12	0 – 12	0 – 12	0 – 12	0 – 12	0 – 12	0 – 12	-10 – 100	032U3637
G 1/4	EPDM ¹⁾	3.0	0.30	0 – 5	0 – 5	0 – 5	0 – 5	0 – 5	0 – 5	0 – 5	0 – 5	-30 – 120	032U3638
G 1/4	FKM	3.0	0.30	0 – 5	0 – 5	0 – 5	0 – 5	0 – 5	0 – 5	0 – 5	0 – 5	-10 – 100	032U3639
G 1/4	EPDM ¹⁾	4.5	0.55	0 – 2	0 – 2	0 – 2	0 – 2	0 – 2	0 – 2	0 – 2	0 – 2	-30 – 120	032U3640
G 1/4	FKM	4.5	0.55	0 – 2	0 – 2	0 – 2	0 – 2	0 – 2	0 – 2	0 – 2	0 – 2	-10 – 100	032U3641

¹⁾ 140 °C / 3.6 bar low pressure steam, orifice DN 1.5 – 4.5.
 - Low pressure steam: DN 1.5 – 3 Use coil type BB or BG.
 DN 4.5 Use coil type BG

²⁾ Pressure range can be extended to use in rough vacuum, typically up to 99% vacuum (10mbar), depending on the application.

Technical data, EV210B NO

Type	EV210B 1.5 – 4.5
Time to open [ms] ¹⁾	20
Time to close [ms] ¹⁾	20

¹⁾ The times are indicative and apply to water. The exact times will depend on the pressure conditions.

Installation	Optional, but vertical solenoid system is recommended		
Max. test pressure	50 bar		
Tightness	Internally: Better than 8.3 x 10 – 2 mbar l/sec (5ccm air per min)		
	Externally: Better than 1 x 10 – 3 mbar l/sec (100%He)		
Ambient temperature	Max. 80 °C (depending on the coil type, see data for the coil selected)		
Viscosity	Max. 50 cSt		
Materials	Valve body	Brass	W.no. 2.0402
	Armature	Stainless steel	W.no. 1.4105 / AISI 430FR
	Armature tube	Stainless steel	W.no. 1.4306 / AISI 304L
	Armature stop	Stainless steel	W.no. 1.4105 / AISI 430FR
	Springs	Stainless steel	W.no. 1.4310 / AISI 301
	Seal material	See specific valve data	

EV210B solenoid valves 2/2-way direct operated

EV210B stainless steel body, NC



Conn. ISO 228/1	Seal material	k _v value [m ³ /h]	Orifice size	Permissible differential pressure [bar]						Media temperature min. to max. [°C]	Code number	
				BA 9 [W a.c]	BA 15 [W d.c]	BD 15 [W a.c]	BB 10 [W a.c]	BB 18 [W d.c]	BG 12 [W a.c]			BG 20 [W d.c]
G 1/8	EPDM ¹⁾	0.15	2.0	0 – 30	0 – 20	0 – 30	0 – 30	0 – 30	0 – 30	0 – 30	-30 – 120	032U3647
G 1/8		0.30	3.0	0 – 15	0 – 9	0 – 24	0 – 20	0 – 13	0 – 30	0 – 25	-30 – 120	032U3649
G 1/4		0.15	2.0	0 – 30	0 – 20	0 – 30	0 – 30	0 – 30	0 – 30	0 – 30	-30 – 120	032U3651
G 1/4		0.30	3.0	0 – 15	0 – 9	0 – 24	0 – 20	0 – 13	0 – 30	0 – 25	-30 – 120	032U3653
G 1/4		0.55	4.5	0 – 8	0 – 3.5	0 – 12	0 – 10	0 – 4.5	0 – 13	0 – 9	-30 – 120	032U3655

¹⁾ 140 °C / 3.6 bar low pressure steam, orifice DN 1.5 – 4.5.
 - Low pressure steam: DN 1.5 – 3 Use coil type BB or BG.
 DN 4.5 Use coil type BG

Technical data, stainless steel

Type	EV210B stainless steel 2.0 – 4.5
Time to open [ms] ¹⁾	20
Time to close [ms] ¹⁾	20

¹⁾ The times are indicative and apply to water. The exact times will depend on the pressure conditions.

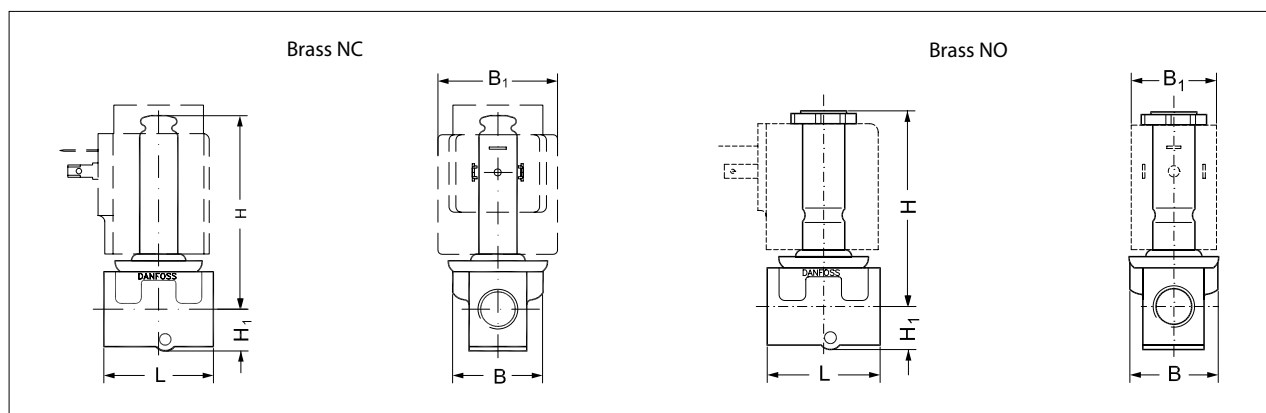
Installation	Optional, but vertical solenoid system is recommended		
Max. test pressure	50 bar		
Tightness	Internally: Better than 8.3 x 10 ⁻² mbar l/sec (5ccm air per min) Externally: Better than 1 x 10 ⁻³ mbar l/sec (100%He)		
Ambient temperature	Max. 80 °C		
Viscosity	Max. 50 cSt		
Materials	Valve body	Stainless steel	W.no. 1.4404 / AISI 316L
	Armature	Stainless steel	W.no. 1.4105 / AISI 430FR
	Armature tube	Stainless steel	W.no. 1.4306 / AISI 304L
	Armature stop	Stainless steel	W.no. 1.4105 / AISI 430FR
	Springs	Stainless steel	W.no. 1.4310 / AISI 301
	Seal material	See specific valve data	

EV210B solenoid valves 2/2-way direct operated

Dimensions and weight

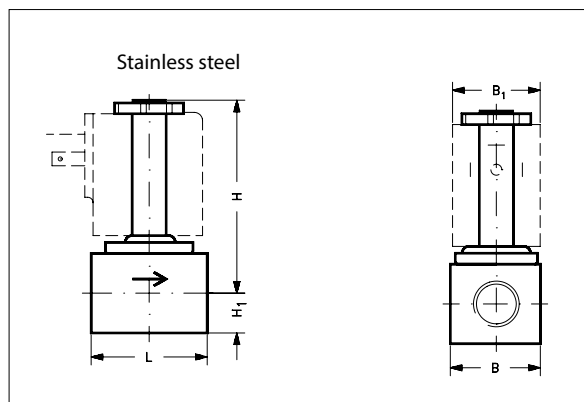
Type	Weight gross valve body without coil [kg]	L [mm]	B [mm]	B1 [mm]			H1 [mm]	H [mm]
				Coil type BA/BD	Coil type BB/BE	Coil type BG		
EV210B 1.5/2B, NC / NO	0.15	35.0	34	32	46	66	12.0	70.0
EV210B 3/4.5, NC / NO	0.20	38.0	34	32	46	66	11.0	70.0
EV210B 6B, NC	0.22	45.5	34	32	46	66	15.5	72.5
EV210B 8/10B, NC	0.29	49.0	34	32	46	66	15.5	72.5
EV210B 15B, NC	0.45	58.0	53.0	32	46	66	12.5	92.5
EV210B 20B, NC	1.10	90.0	58.0	32	46	66	18.0	92.0
EV210B 25B, NC	1.10	90.0	58.0	32	46	66	23.0	96.0

Dimensions







Type	Weight gross valve body without coil [kg]	L [mm]	B [mm]	B1 [mm]			H1 [mm]	H [mm]
				Coil type BA/BD	Coil type BB/BE	Coil type BG		
EV210B 1.5/2 Stainless steel	0.15	35.0	34.0	32	46	66	12.0	70.0
EV210B 3/4.5 Stainless steel	0.20	35.0	34.0	32	46	66	11.0	70.0

Dimensions



EV210B solenoid valves 2/2-way direct operated
Below coils can be used for EV210B

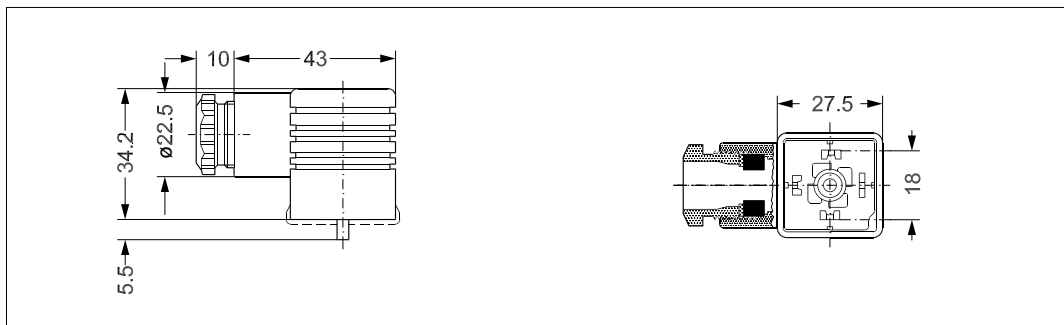
Coil	Type	Power consumption	Enclosure	Features
	BA / BD, screw on	9 W a.c. 15 W d.c.	IP00 with spade connector	IP20 with protective cap, IP65 with cable plug
	BB, clip on	10 W a.c. 18 W d.c.	IP00 with spade connector	IP20 with protective cap, IP65 with cable plug
	BE, clip on	10 W a.c. 18 W d.c.	IP67	With terminal box
	BG, clip on	12 W a.c. 20 W d.c.	IP67	With terminal box

EV210B solenoid valves 2/2-way direct operated

Accessories: Cable plug



Application	Code number
GDM 2011 (grey) cable plug according to DIN 43650-A PG11	042N0156



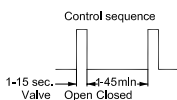
Universal electronic multi-timer, type ETM



Application	Voltage	To use with coil:	Ambient temperature [°C]	Code number
External adjustable timing from 1 to 45 minutes with 1 to 15 seconds drain open. With manual override (test button). Electrical connection DIN 43650 A / EN 175 301-803-A	24 – 240 V a.c.	BA, BD, BB	-10 – 50	042N0185

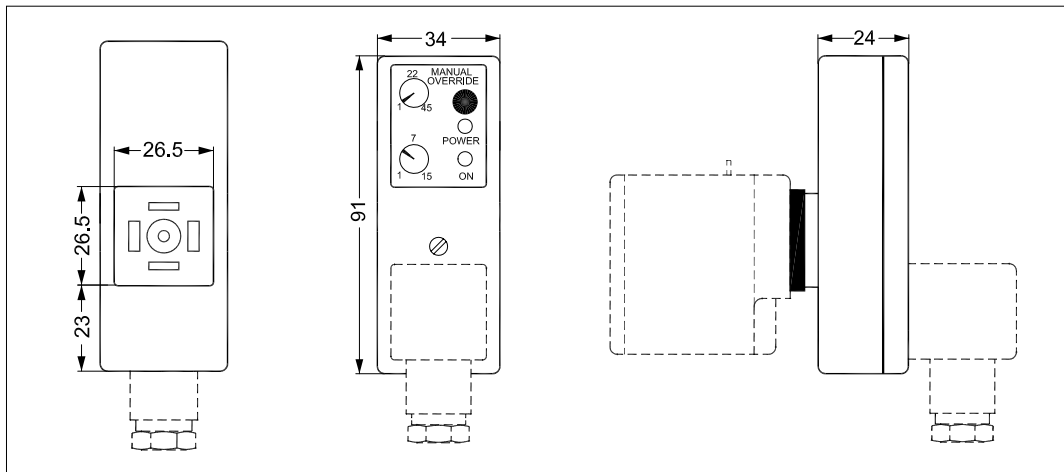
- Outside adjustments
- Light weight and small size
- External adjustable timing from 1 minute to 45 minutes with 1 to 15 seconds drain open
- One solid state timer fits all coil voltages from 24 – 240 V a.c.
- Light diodes for indication
- All in one unit
- Manual override (test button)

Technical data



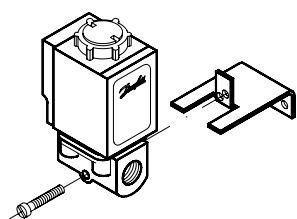
Type	ET 20 M
Voltage	24 – 240 V a.c. / 50 – 60 Hz.
Power rating	Max. 20 Watt
Enclosure	IP00, IP65 with power connector (cable plug)
Electrical connection	DIN connector (DIN 43650-A)
Ambient operating temperature range	-10 – 50 °C
Function	Start with pulse
Interval timer	1 – 45 min.
"On" timer	1 – 15 sec.
Weight	0.084 kg

Dimensions



EV210B solenoid valves 2/2-way direct operated

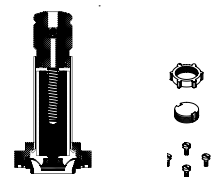
Mounting bracket



Description	Code number
Brackets	032U1040

For EV210B 1.5 – 4.5B in connection with synthetic tubes, pipes and similar.

Isolating diaphragm kit for EV210B 1.5 – 4.5 NC



Seal material	Code number
EPDM	042U1009
FKM	042U1010

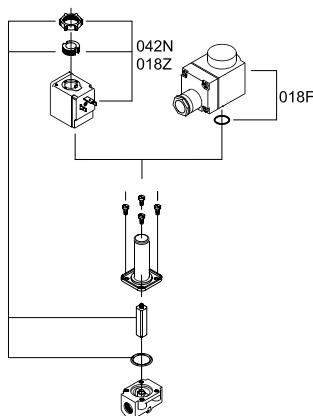
Avoids build-up of contaminants that can block movement of the armature. Permits use of more aggressive media that would normally attack the armature. Gel filled; guarantees operation after long periods of inactivity. The kit is suitable for orifice sizes up to DN 3 mm.



The kit consist of:

- Assembled isolating unit
- O-ring
- 4 screws
- Locking button
- Nut for coil

Spare parts kit, NC



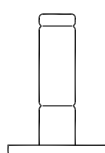
Valve type	Seal material	Code number
EV210B 1.5, 2, 3, 4, 5	FKM	032U2003
EV210B 6, 8, 10	FKM	032U2011
	EPDM	032U2006
EV210B 15	FKM	032U2012
	EPDM	032U2013
EV210B 20	FKM	032U2014
	EPDM	032U2017
EV210B 25	FKM	032U2018
	EPDM	032U2019

The spare parts kit consists of:

- Locking button
- Nut for the coil
- Armature with valve plate and spring
- O-ring



Spare parts kit, NO



Valve type	Seal material	Code number
EV210B 1.5, 2, 3, 4, 5	FKM	032U2004
	EPDM	032U2005

The spare parts kit consists of:

- Armature tube
- 2 O-rings



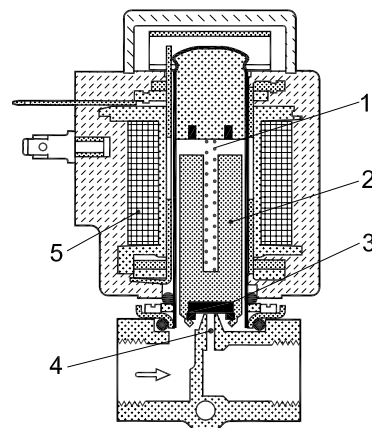
Function NC

Coil voltage disconnected (closed):

When the voltage to the coil (5) is disconnected, the armature (2) with the valve plate (3) is pressed down against the valve orifice (4) by the closing spring (1) and the medium's pressure. The valve will be closed for as long as the voltage to the coil is disconnected.

Coil voltage connected (open):

When voltage is applied to the coil(5), the armature (2) with the valve plate (3) is lifted clear of the valve orifice (4). The valve is now open for unimpeded flow and will be open for as long as there is voltage to the coil.



1.Closing spring
2.Armature
3.Valve plate
4.Valve orifice
5.Coil

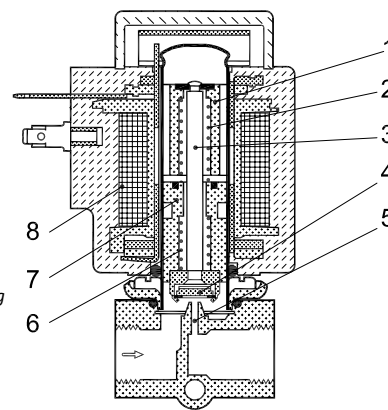
Function NO

Coil voltage connected (open):

When the voltage to the coil(8) is disconnected, the valve orifice (5) is open, the opening spring (2) lifting the spindle (3) with the valve plate (4) clear of the orifice. The valve will be open for as long as the supply voltage to the coil is disconnected.

Coil voltage disconnected (closed):

When voltage is applied to the coil (8), the magnetic field draws the valve's armature (1) down to touch the fixed base(7). The spindle (3) with the valve plate (4) is now pressed down against the valve orifice (5) by the closing spring (6). The valve will be closed for as long as there is voltage to the coil.

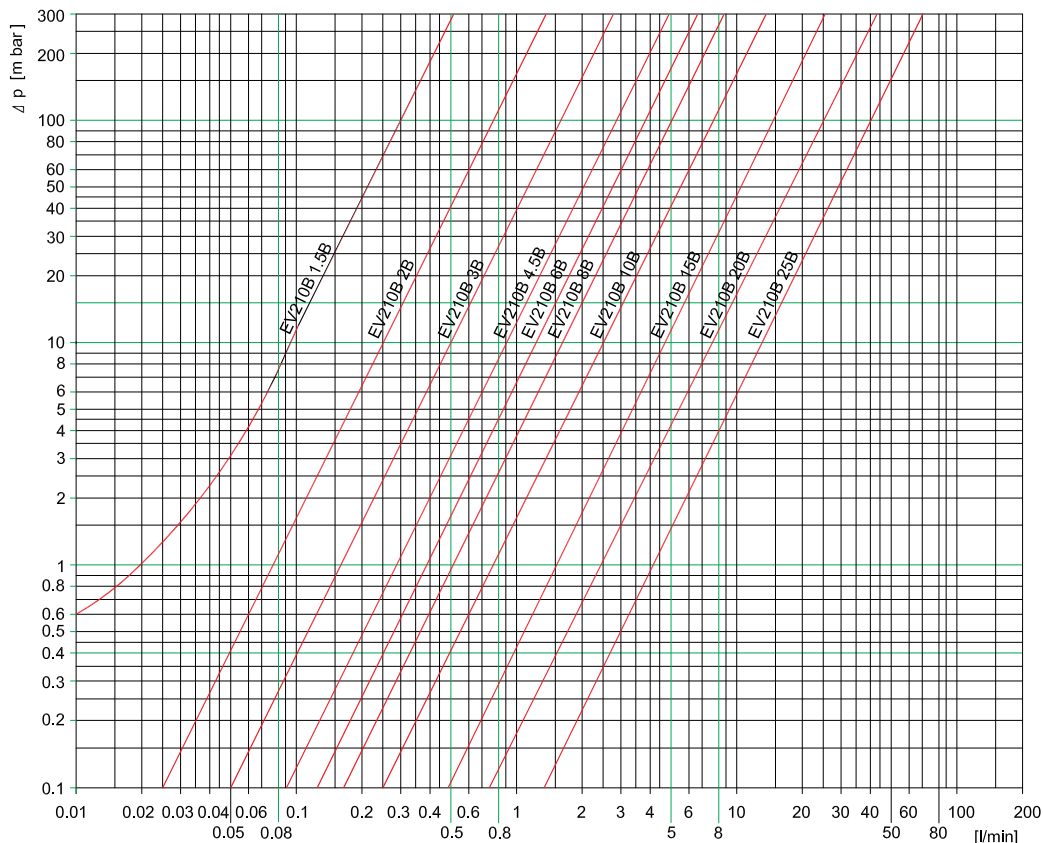


1.Armature
2.Opening spring
3.Spindle
4.Valve plate
5.Valve orifice
6.Closing spring
7.Fixed base
8.Coil

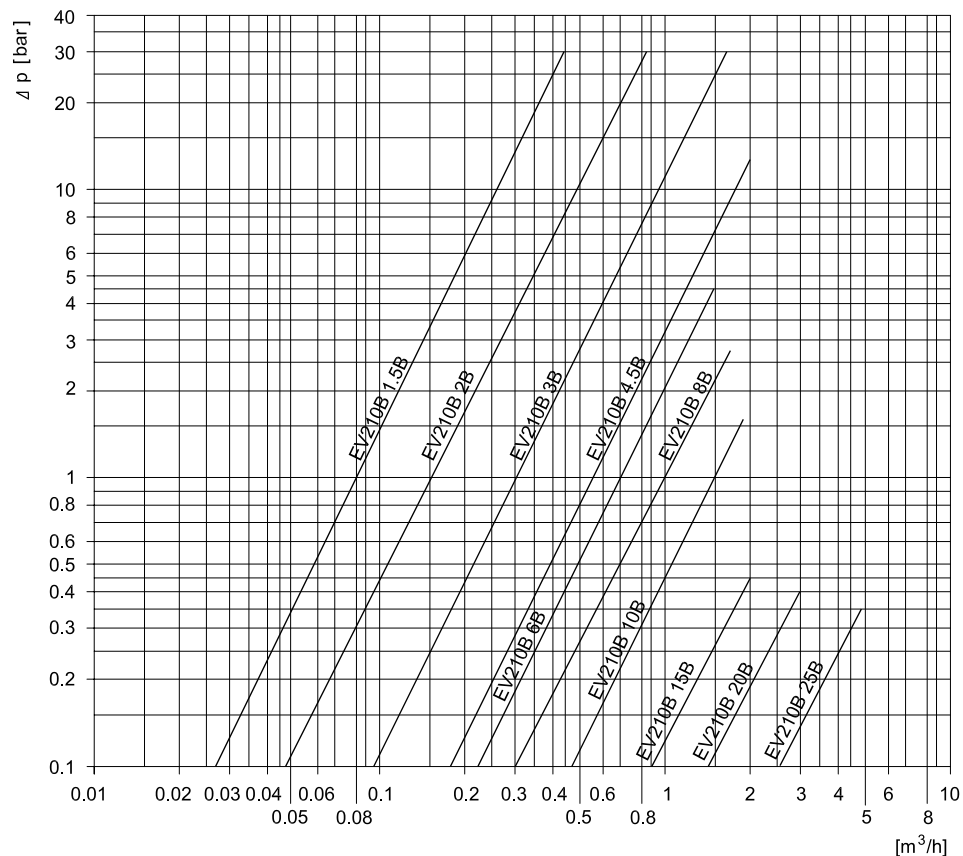
EV210B solenoid valves 2/2-way direct operated

Capacity diagrams:

Example, water at low pressure:
Capacity for EV210B 1.5B at differential
pressure of 10 mbar. Approx. 0.08 l/min

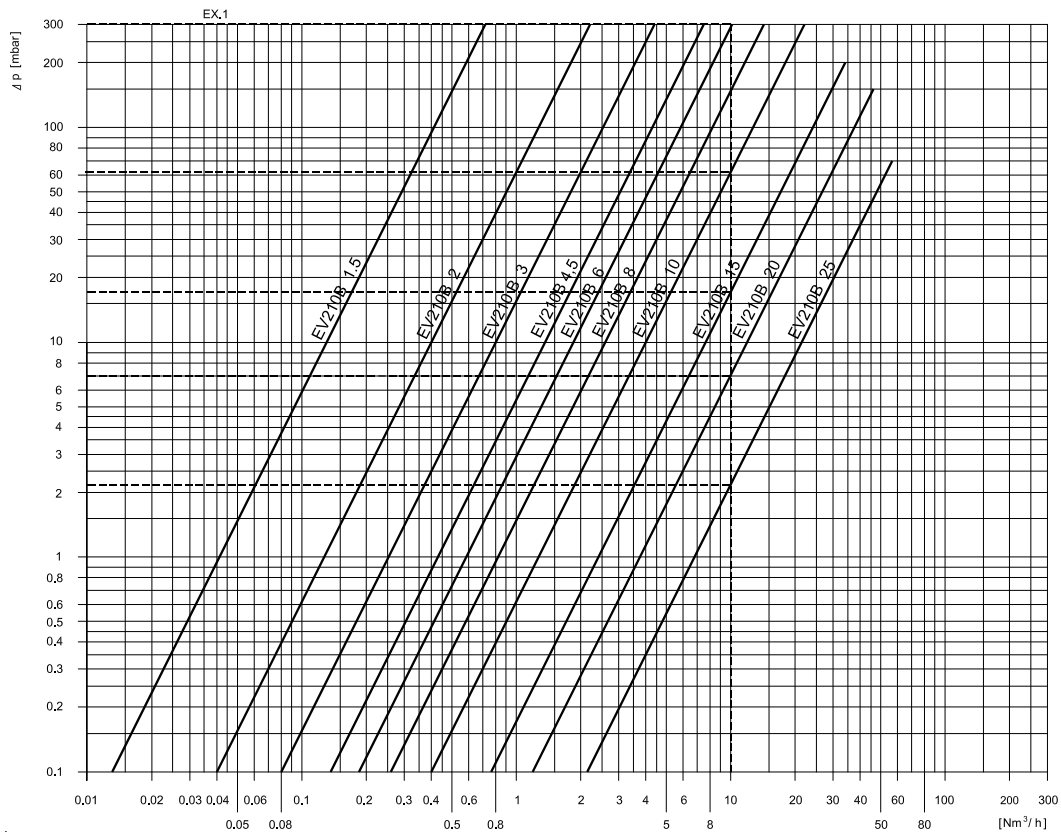


Example, water at higher pressure:
Capacity for EV210B 3B at differential
pressure of 0.5 bar. Approx. 0.21 m³/h

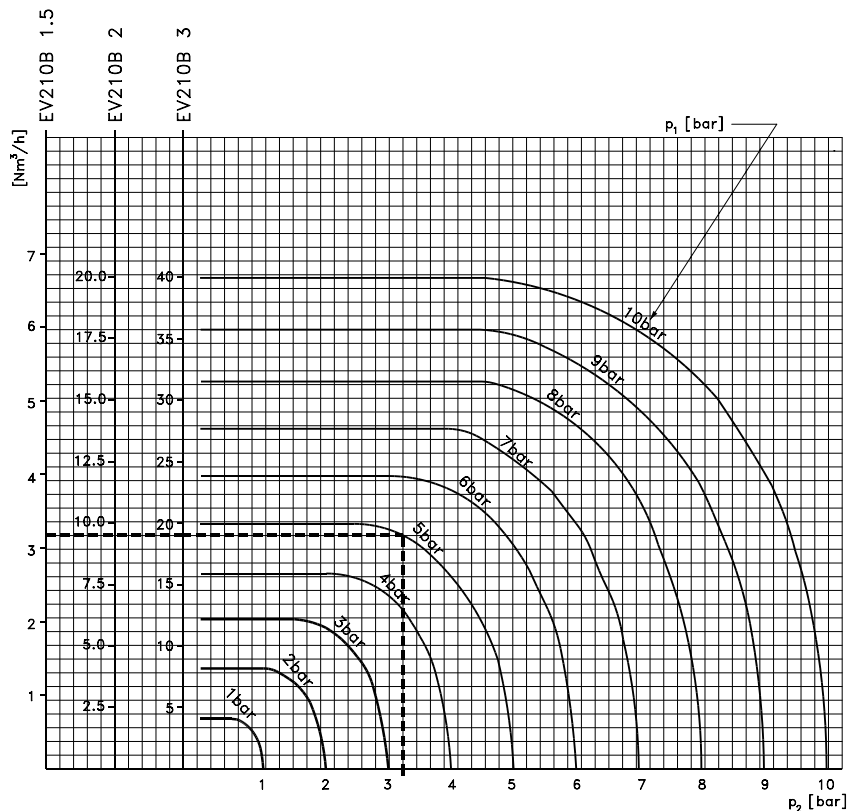


EV210B solenoid valves 2/2-way direct operated

Example, air at lower pressure:
Capacity for EV210B 15B at differential pressure of 17 mbar. Approx. 10 Nm³/h



Example, air at higher pressure:
Capacity for EV210B 2B at inlet pressure (p₁) of 5 bar and outlet pressure (p₂) of 3.25 bar. Approx. 9 Nm³/h



Danfoss can accept no responsibility for possible errors in catalogues, brochures and other printed material. Danfoss reserves the right to alter its products without notice. This also applies to products already on order provided that such alterations can be made without consequential changes being necessary in specifications already agreed. All trademarks in this material are property of the respective companies. Danfoss and the Danfoss logotype are trademarks of Danfoss A/S. All rights reserved.