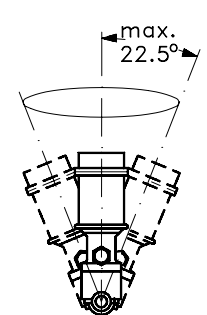
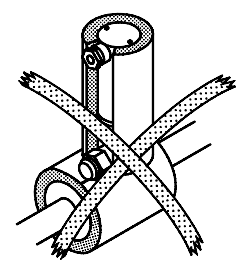
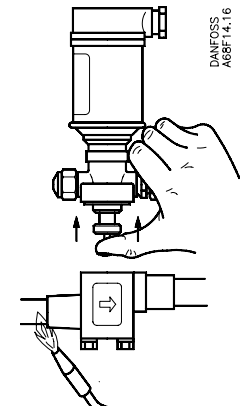
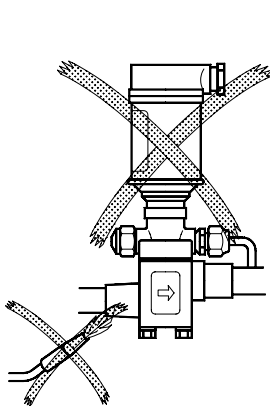
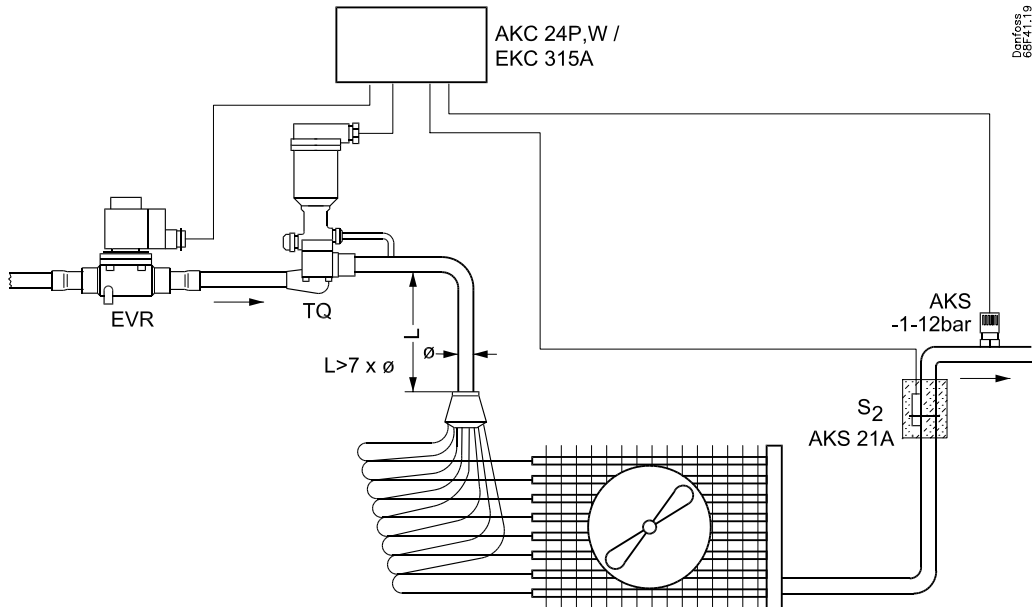
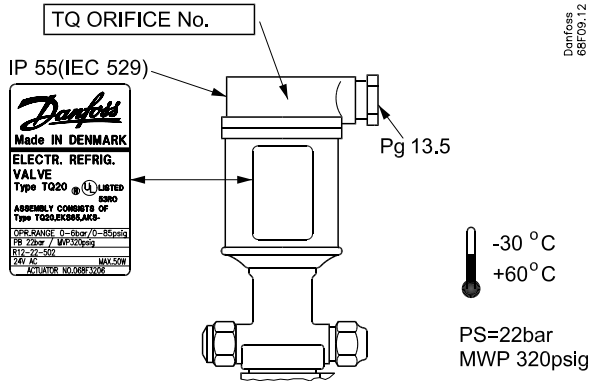
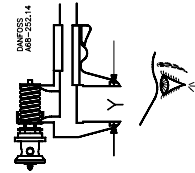


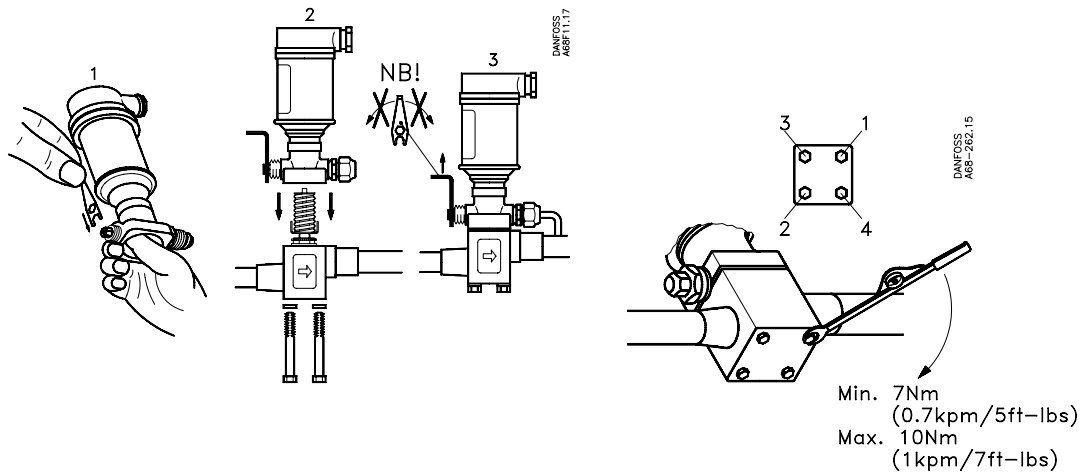
068R9648

068R9648





	Code no.	Type	Orifice	Y±0.5 mm	
				TQ	PHTQ
	068F2041	TQ 5	No.1	26.5	27.5
	068F2042	TQ 5	No.2	26.5	
	068F2043	TQ 5	No.3	27.0	
	068F2062	TQ 5	No.1	26.5	
	068F2063	TQ 5	No.2	26.5	
	068F2064	TQ 5	No.3	27.0	
	068F2033	TQ 20	No.1	33.0	
	068F2034	TQ 20	No.2	33.0	
	068F2035	TQ 20	No.3	33.0	
	068F2036	TQ 20	No.4	33.0	
	068F2037	TQ 20	No.5	33.0	
	068F2055	TQ 20	No.1	33.0	
	068F2056	TQ 20	No.2	33.0	
	068F2057	TQ 20	No.3	33.0	
	068F2058	TQ 20	No.4	33.0	
	068F2059	TQ 20	No.5	33.0	
	068F2045	TQ 55	No.03	33.0	
	068F2046	TQ 55	No.05	33.0	
	068F2047	TQ 55	No.07	33.0	
	068F2048	TQ 55	No.1	33.0	
	068F2049	TQ 55	No.2	33.0	



Danfoss can accept no responsibility for possible errors in catalogues, brochures and other printed material. Danfoss reserves the right to alter its products without notice. This also applies to products already on order provided that such alterations can be made without consequential changes being necessary in specifications already agreed. All trademarks in this material are property of the respective companies. Danfoss and the Danfoss logotype are trademarks of Danfoss A/S. All rights reserved.