

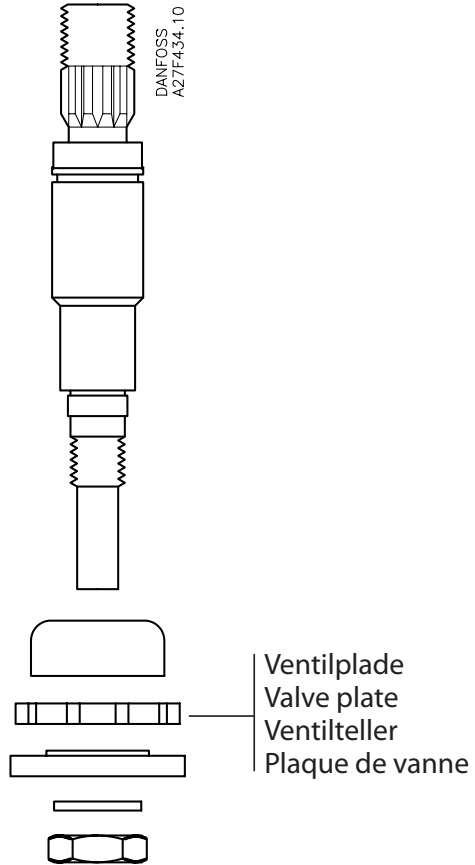
Instructions

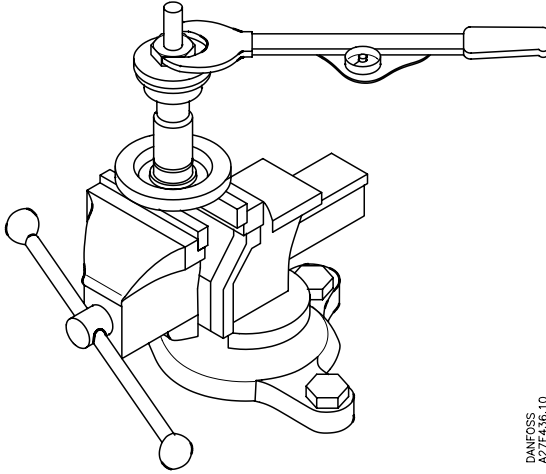
Valve plate for
PM, PML, PMFL/H



027R9501

027R9501





DANFOSS
AZ/F436.10

Ventilplade Valve plate Ventilteller Plaque de vanne	Ventil type Valve type Ventil Typ Type de vanne	Tilspændingsmoment Tightening torque Anzugsmoment Couple de serrage
Code no.		Nm
027F0683	PM 5-25, PMC 5-20 PMFL 200, PMFH 200	35 ±5
027F0684	PM 32 PMFL 300, PMFH 300	55 ±5 35 ±5
027F0685	PM 40, PML 32 PMFH 500	55 ±5 50 ±5
027F0686	PM 50 PML 40	60 ±5 55 ±5
027F0687	PM 65, PML 50	60 ±5
027F0688	PML 65	65 ±5
027F0689	PMFL 80 - 1, 2, 3	17 ±2
027F0690	PMFL 80 - 4, 5, 6, 7 PMFH 80 - 2, 4, 5, 6, 7	17 ±2
027F0691	PMFL 125, PMFH 125	35 ±5