



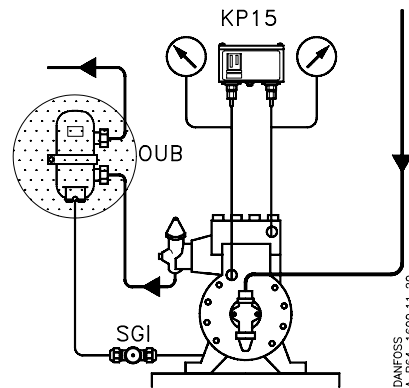
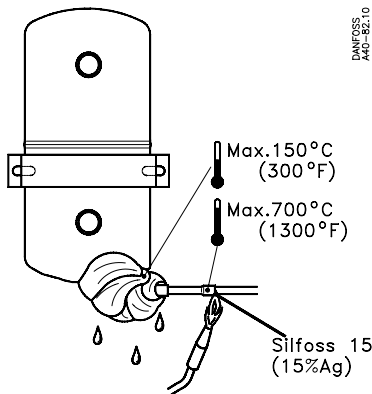
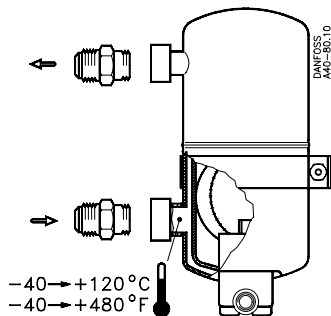
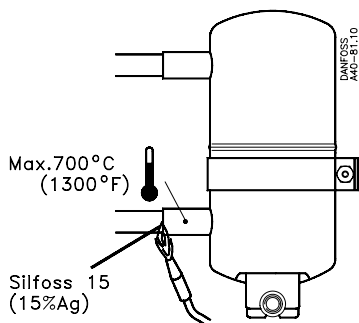
INSTRUCTIONS

OUB

040R9573

R 22, R 32, R 134a, R 404A,
R 502, et al.

PS/MWP = 28 bar/400 psig
 $p_{\text{test max.}} = 36.5 \text{ bar}/525 \text{ psig}$



040R9573