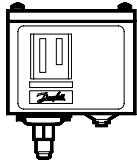


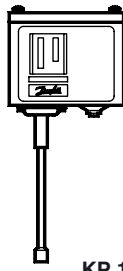
060R9750

060R9750

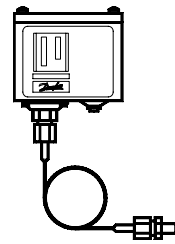
KP 1, 2, 5, 6, 7: HFC, HCFC, CFC  
 KP 6: HFC, CO<sub>2</sub>  
 KP 1A, 5A: R 717 (NH<sub>3</sub>)



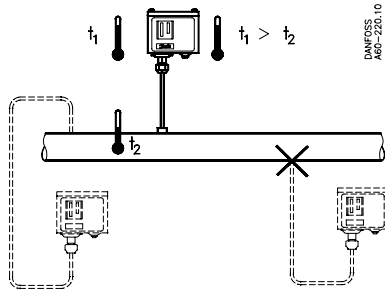
KP 1, 2, 5, 6, 7



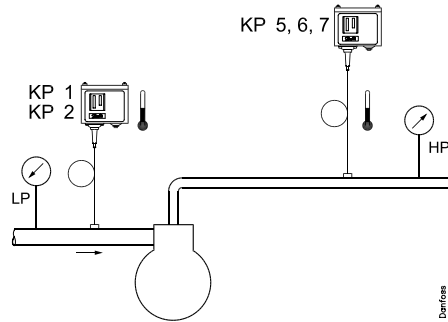
KP 1, 2, 5, 6, 7



KP 1A, 5A

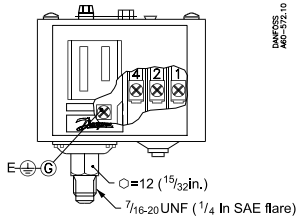


DANFOSS  
AGD-326.10

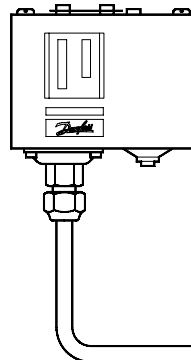
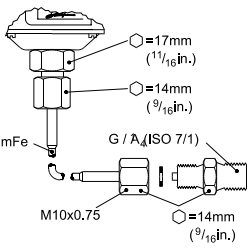


DANFOSS  
AGD-571.17

KP 1, 2,  
 KP 5, 6, 7



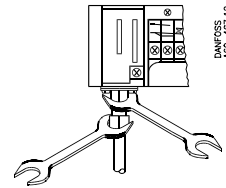
DANFOSS  
AGD-572.10



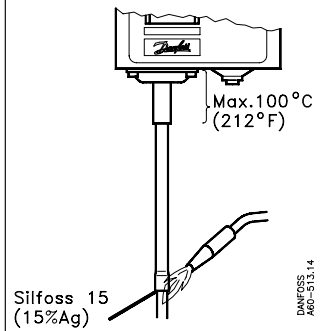
P<sub>test</sub> max.:  
 KP 1, 2: 20 bar p<sub>e</sub> (285 psig)  
 KP 5, 7: 35 bar p<sub>e</sub> (505 psig)  
 KP 6: 46,5 bar p<sub>e</sub> (675 psig)

MWP/PB

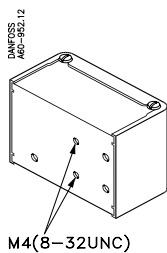
Type	Range	MWP/PB
KP 1	-0.2 → 7.5 bar	250 psi / 17 bar
KP 1, reset	-0.9 → 7 bar	250 psi / 17 bar
KP 1W	0.5 → 3 bar	250 psi / 17 bar
KP 2	-0.2 → 5 bar	250 psi / 17 bar
KP 5, 7W	8 → 32 bar	505 psi / 35 bar
KP 5, reset	8 → 32 bar	505 psi / 35 bar
KP 6	8 → 42 bar	675 psi / 46.5 bar
KP 7B, 7S	8 → 32 bar	505 psi / 35 bar



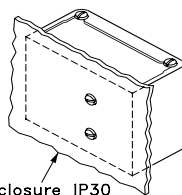
DANFOSS  
AGD-467.12



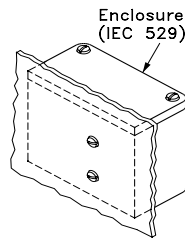
DANFOSS  
AGD-513.14



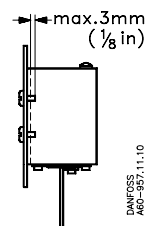
M4(8-32UNC)



Enclosure IP30  
 (IEC 529)

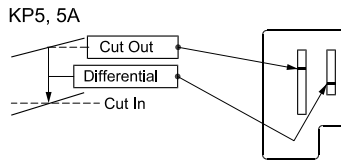
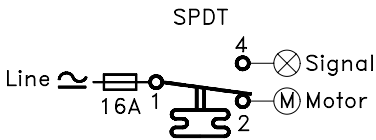
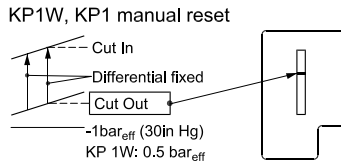
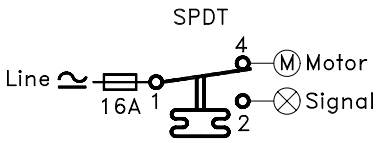
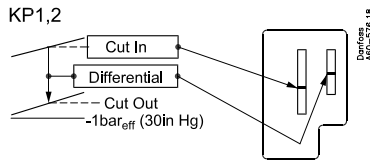
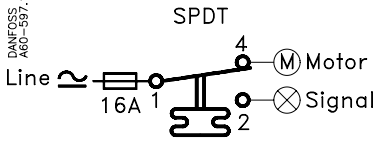


Enclosure IP44  
 (IEC 529)



DANFOSS  
AGD-957.11.10

Danfoss  
A60-597.16



**Electrical rating - General**

LR 112A	AC 1: 16A AC 3: 16A AC 11: 10 A	400 V $\approx$	DC 11 12 W 220 V $\approx$
---------	---------------------------------------	-----------------	----------------------------------

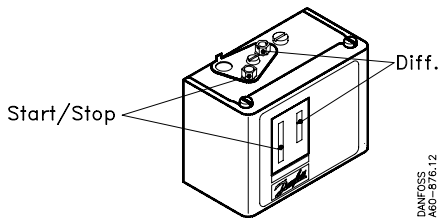
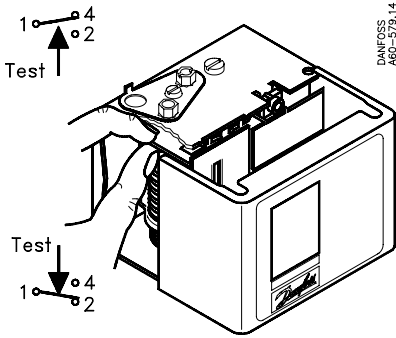
*When used acc. to UL regulations*

**UL** Listed refrigeration controller 61B5

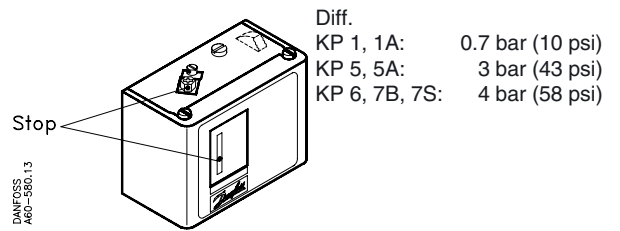
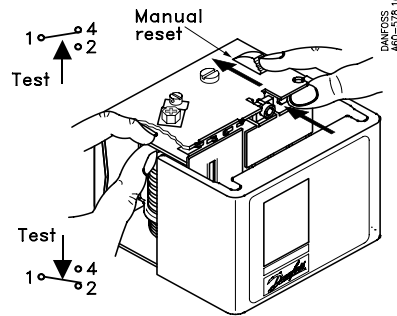
Voltage	FL	LR	Resist.	Pilot	
AC	DC	A	load	duty	
240		8	48	8A	3 A
120		16	96	16A	
	240				12W

Use copper wire only  
Tightening torque 20lb.in.

**Automatic reset**



**Manual reset**



Diff.  
 KP 1, 1A: 0.7 bar (10 psi)  
 KP 5, 5A: 3 bar (43 psi)  
 KP 6, 7B, 7S: 4 bar (58 psi)

**Range**

- ⊕ Increase 360° CW
- ⊖ Decrease 360° CW

