

Instructions

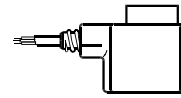
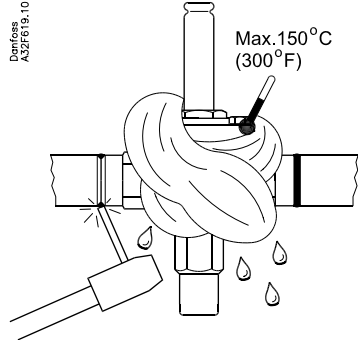
032R9513

032R9513

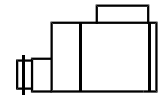
Solenoid valve

EVRS 3-20 and EVRST 10-20

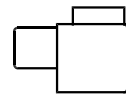
Body material Stainless steel
1.4308 for EVRS 10/15/20
1.4301 for EVRS 3



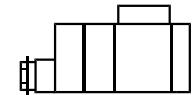
a.c.~



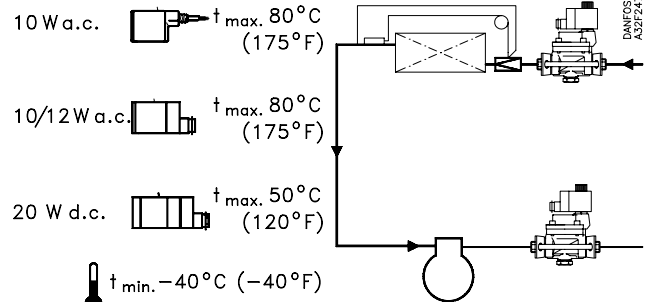
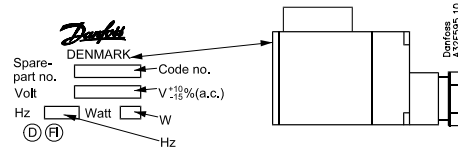
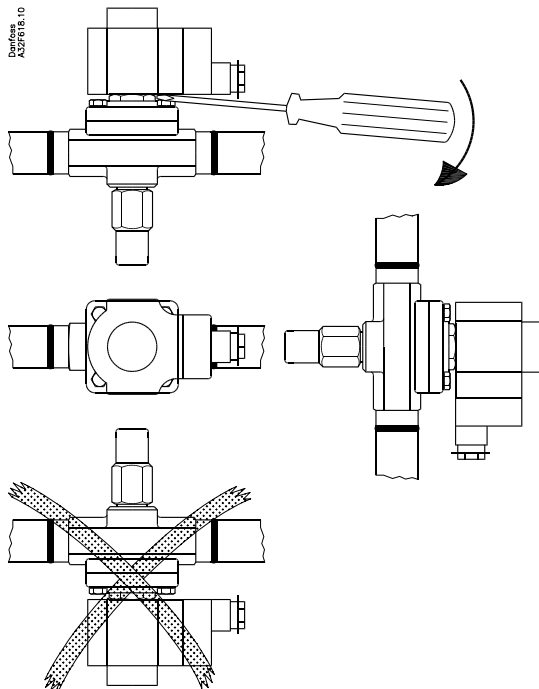
a.c.~



a.c.~

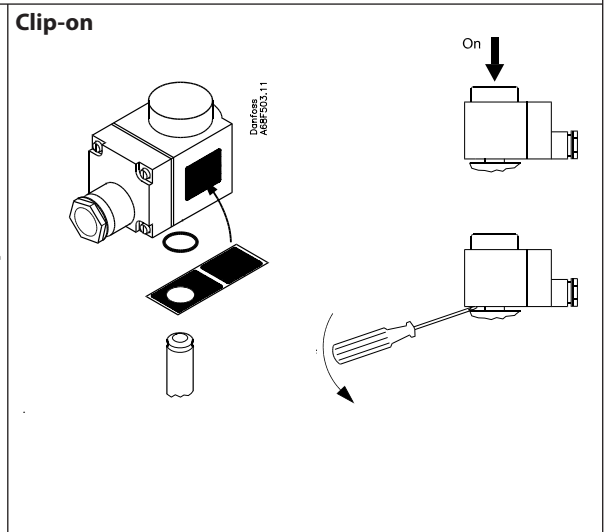
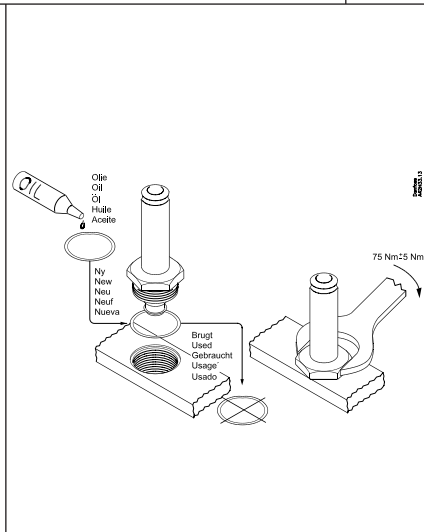
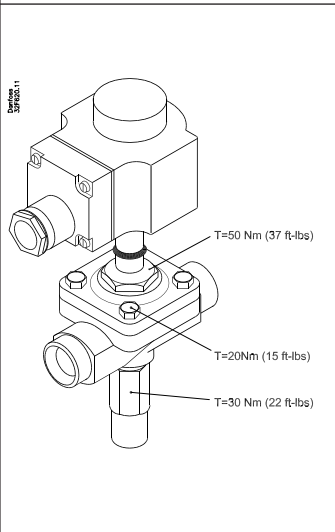


a.c.~



Min. medium temperature: $-40^{\circ}C / -40^{\circ}F$
 Max. medium temperature: $105^{\circ}C / 221^{\circ}F$
 Max. working pressure Ps:
 EVRS/T 3, 10, 15: 50 barg/ 725 psig
 EVRST/20: 28 barg/ 406 psig for 032F3086 and 032F2237
 50 barg/ 725 psig for 032F5437 and 032F5438

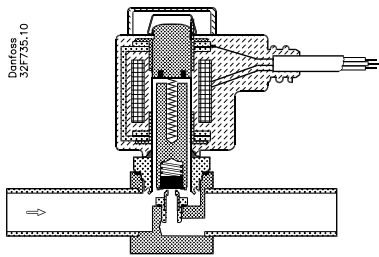
Max. opening diff. pressure:
 Max. working pressure Ps:



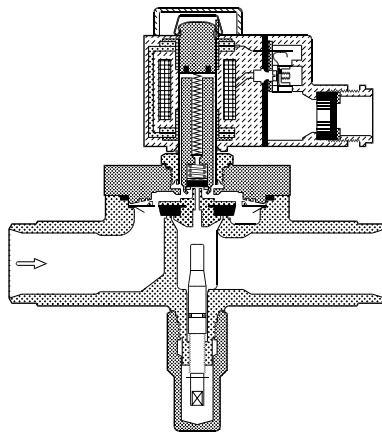
Instructions



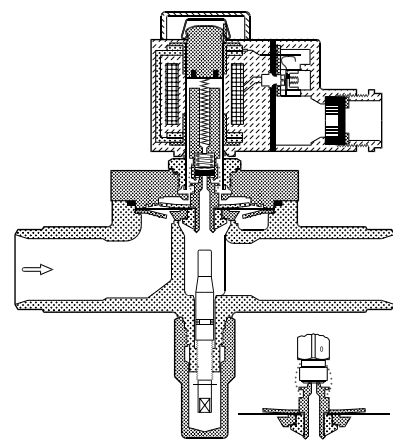
EVRS 3



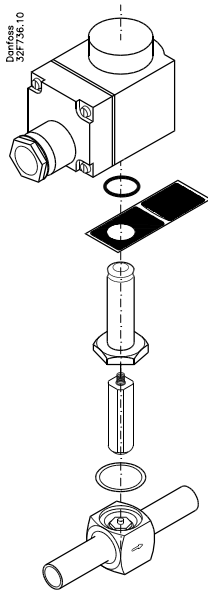
EVRS 10-20



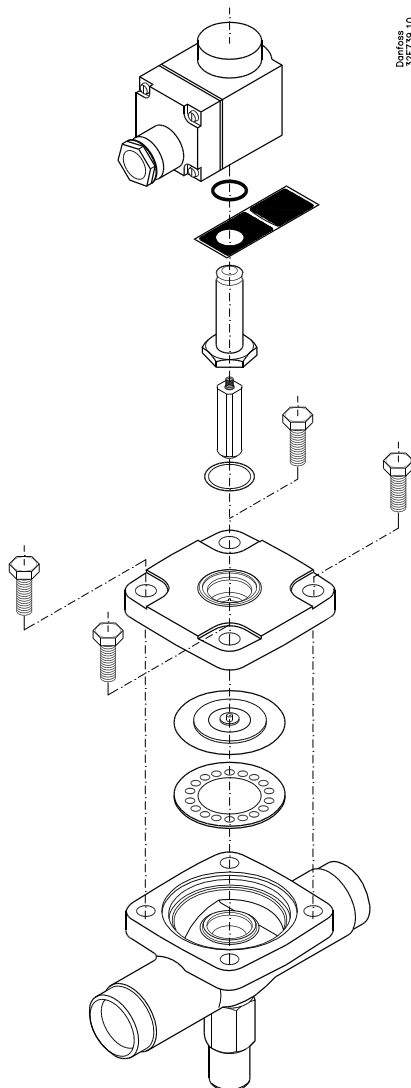
EVRS 10-20



EVRS 3



EVRS 10-20



EVRS 10-20

