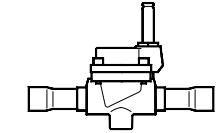


EVR 25

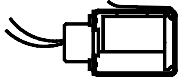
032R9523

032R9523

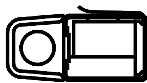
Valve and coil



EVR 25



Conduit coil

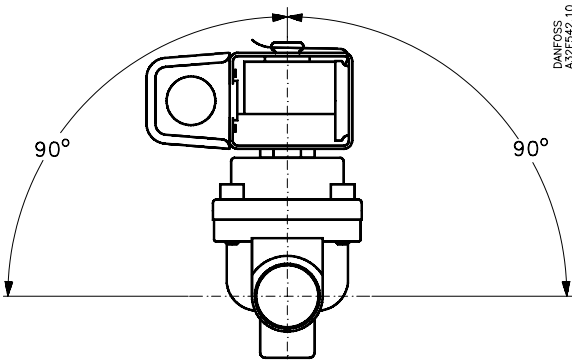


Junction box

Operating conditions

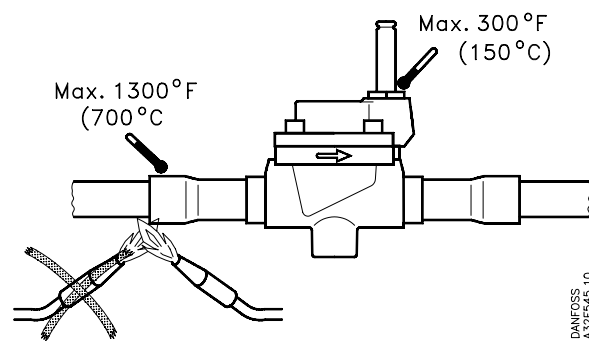
Max. working pressure (MWP)	EVR 25: 500 psig (35 bar p _e)		
Max. test pressure	650 psig (45 bar p _e)		
Max. opening diff. pressure		AC	DC
	EVR 25	350 psig (24 bar p _e)	205 psig (14 bar p _e)
Refrigerant temperature	max.	220°F (105°C)	
	min.	-40°F (-40°C)	
Ambient temperature	max.	120°F (50°C)	
	min.	-40°F (-40°C)	

Mounting position



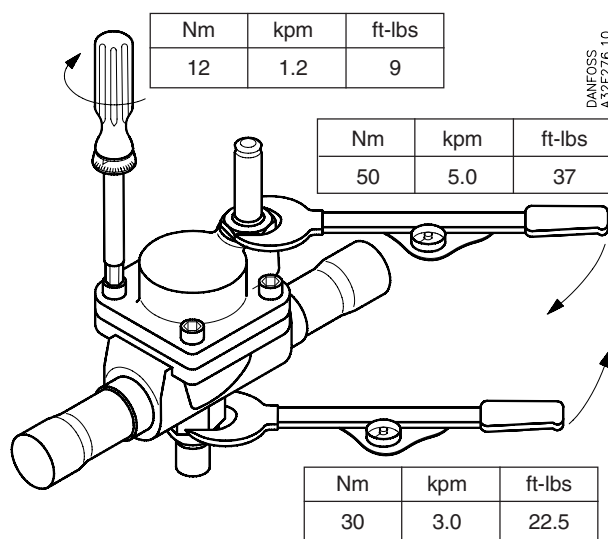
DANFOSS
A32FE42.10

Soldering of copper connections



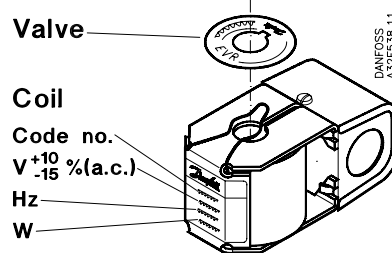
DANFOSS
A32FE45.10

Tightening torques



DANFOSS
A32F276.10

Identification of coil and valve



DANFOSS
A32F538.11

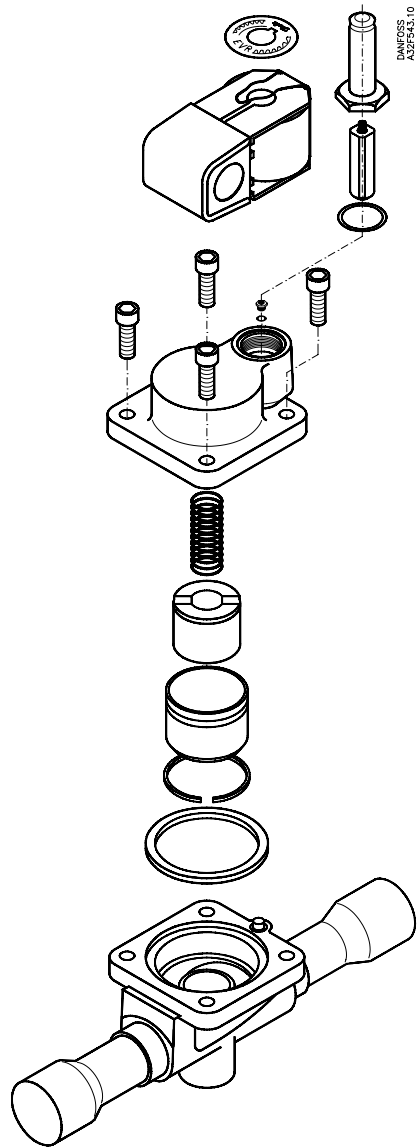
Caution

Wiring and fusing (when used) must comply with prevailing local and national wiring codes and ordinances.

Transformer selection

Coil	Inrush [Volt-Amp]	Holding	
		[W]	[Volt-Amp]
208-240 V 50-60 Hz	76	17.5	40
110-120 V 50-60 Hz	76	17.5	40
24 V 60 Hz	76	17.5	40
120/208 V 50-60 Hz	76	17.5	40
120 V DC		23.0	

Valve and coil construction



Cut-away
(Position numbers:
See Danfoss Technical Leaflet)

