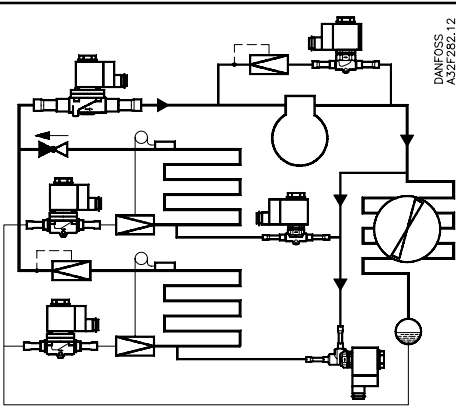


032R9507

032R9507



DANFOSS
A32F282.12

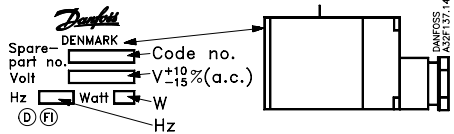
HFC, HCFC, CFC.

Temperature of medium:

-40 → +135 °C (-40 → +275 °F)

Max. working pressure:

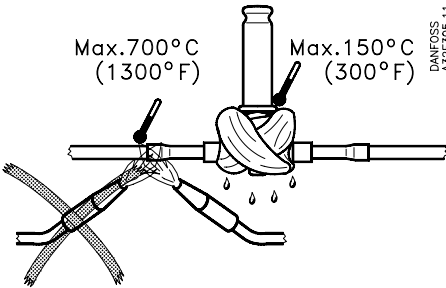
PB = 35 bar (MWP = 500 psig)



DANFOSS
A32F137.14

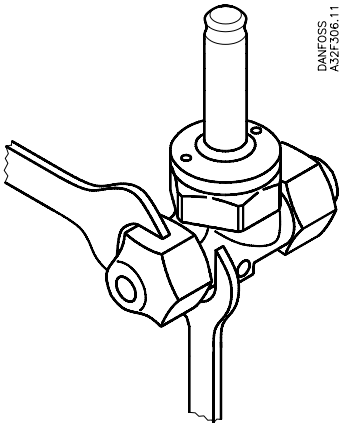
Max. 700°C
(1300°F)

Max. 150°C
(300°F)



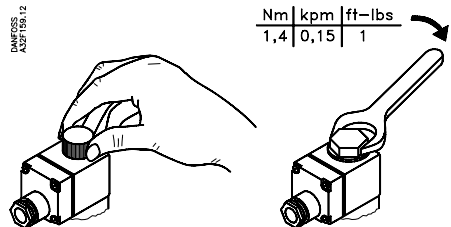
DANFOSS
A32F305.11

NC	10 W a.c. EVH 2		t _{max.} 80 °C (175 °F)
	10/12 W a.c.		t _{max.} 80 °C (175 °F)
NC	20 W d.c.		t _{max.} 50 °C (120 °F)

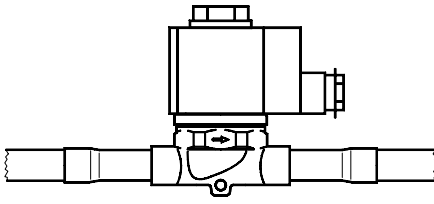


DANFOSS
A32F306.11

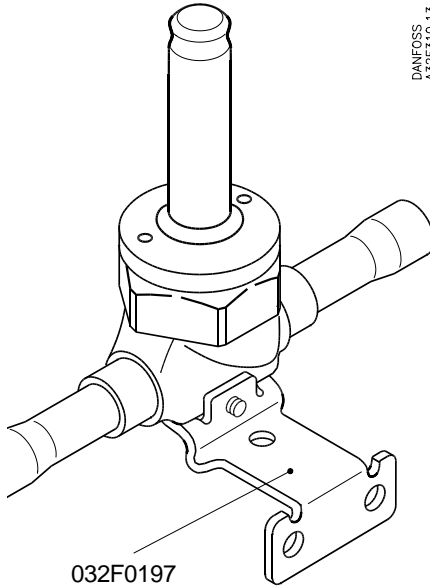
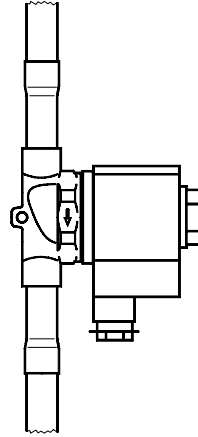
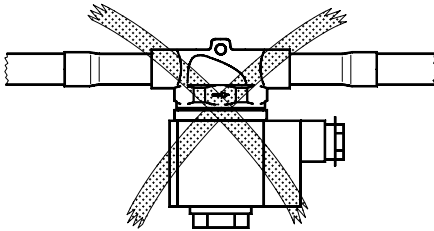
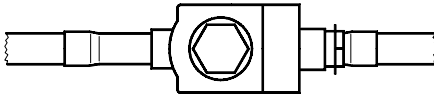
DANFOSS
A32F195.12



Nm | kpm | ft-lbs
1,4 | 0,15 | 1



DANFOSS
AZF304.11



DANFOSS
AZF13 TG.13

032F0197