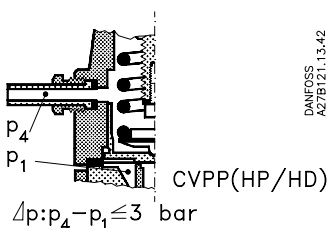
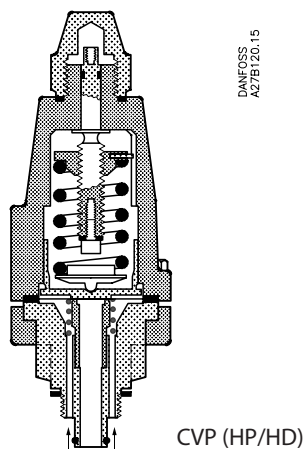
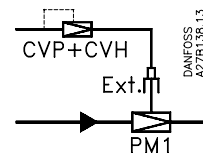
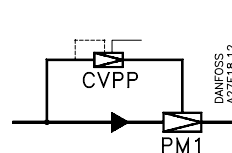
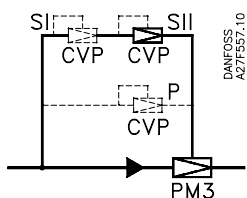
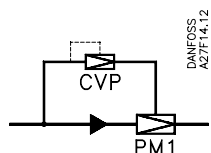
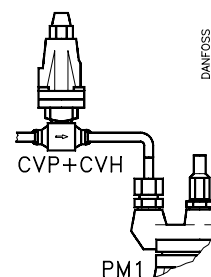
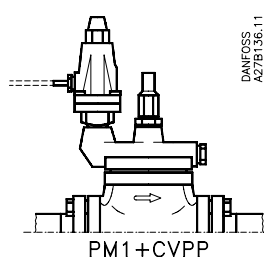
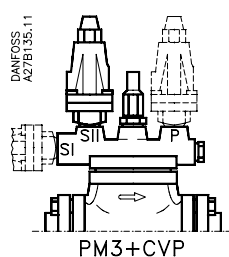
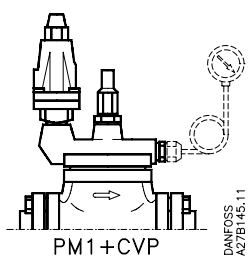
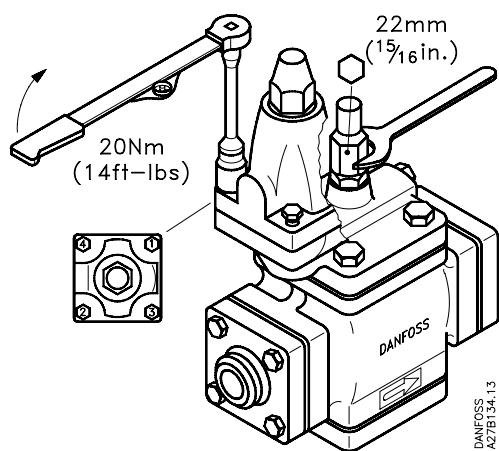
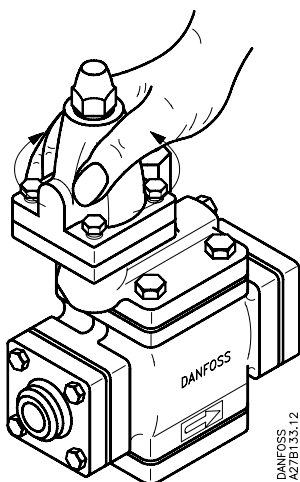
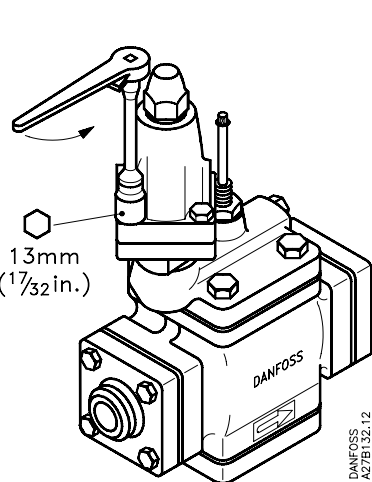
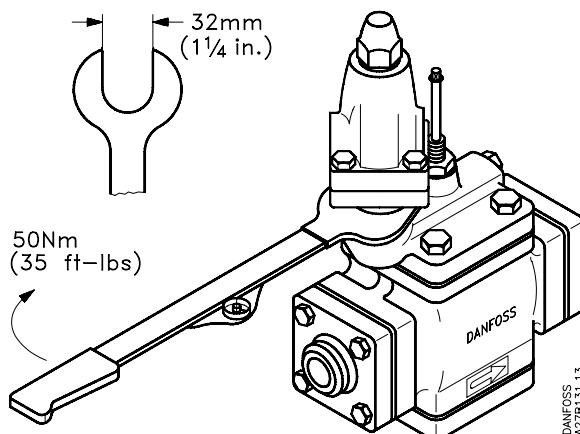
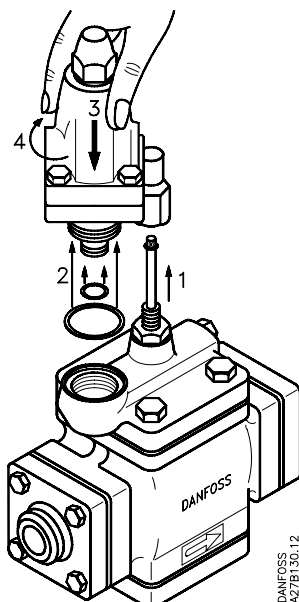


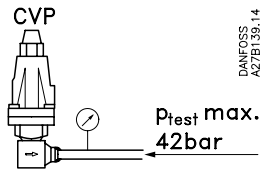
027R9632

027R9632

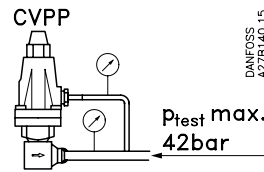


CFC, HFC, HCFC, R 717 (NH<sub>3</sub>)



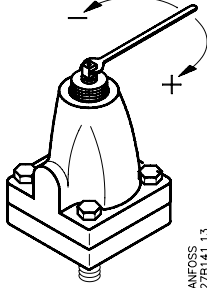


DANFOSS  
A27B139.14



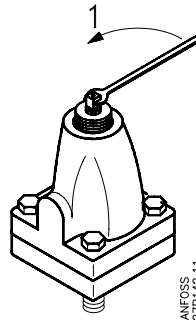
DANFOSS  
A27B140.15

CVP  
360°  $\ominus$   $\oplus$   $\sim 1.8\text{bar}$

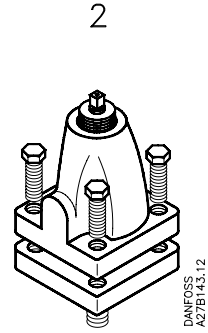


DANFOSS  
A27B141.13

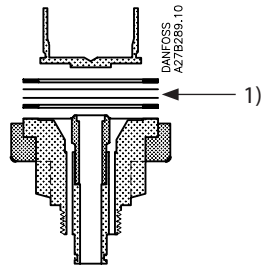
Range bar	1 turn 360° $\Delta$
-0.66 $\rightarrow$ 7 bar	0.45 bar
4 $\rightarrow$ 22 bar	1.4 bar
4 $\rightarrow$ 28 bar	2 bar



DANFOSS  
A27B142.11



DANFOSS  
A27B143.12



DANFOSS  
A27B289.10

Range bar	1) Pcs.
-0.66 $\rightarrow$ 7 bar	1
4 $\rightarrow$ 22 bar	2
4 $\rightarrow$ 28 bar	2

### Spare Parts

Please see Spare Parts Catalogue.