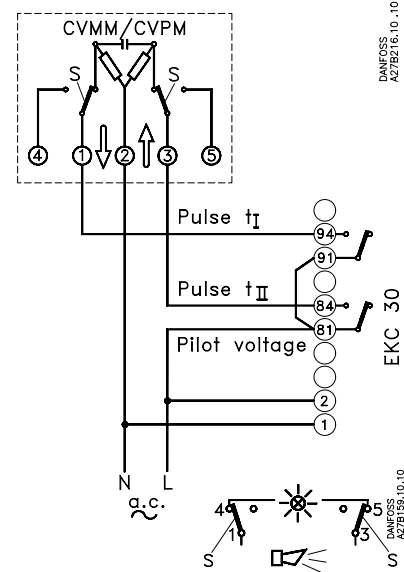
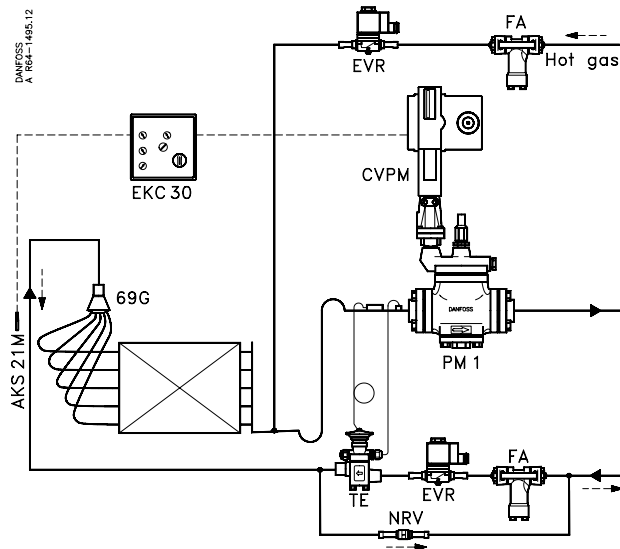
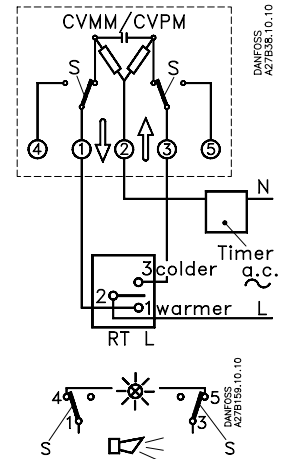
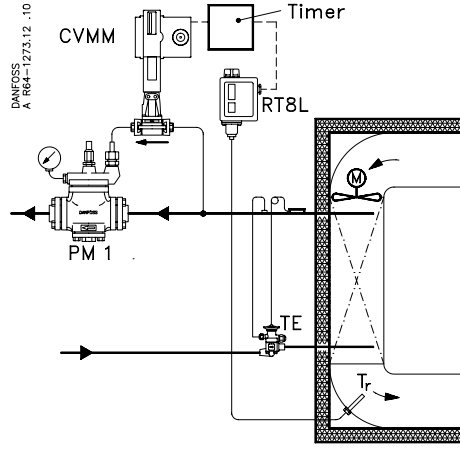
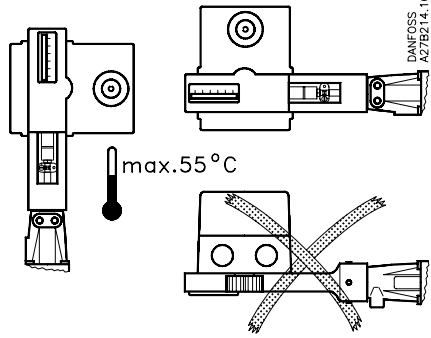


027R9502

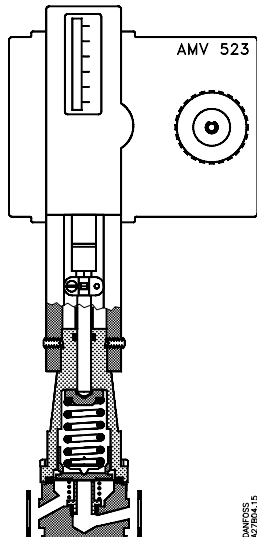
027R9502

CHC, HFC, HCFC, R 717 (NH₃)
 -0.66 → 7 bar
 -50 → +140°C
 PB / MWP = 28 bar
 p_l = 42 bar

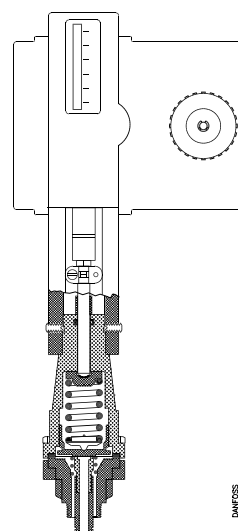
AMV 523 motor:
 220, 24V a.c. +10 → -15%, 50/60 Hz
 10 VA
 IP 44 (IEC 529)



CVMM

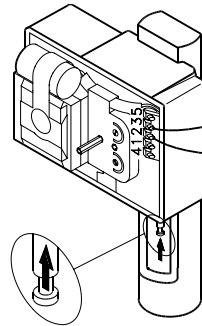
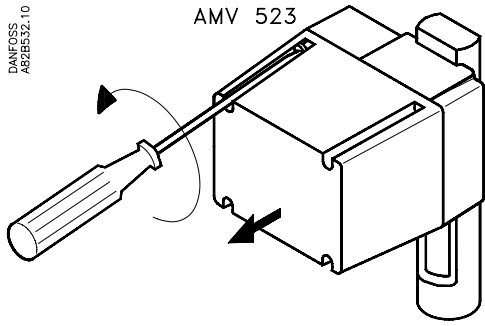


CVPM



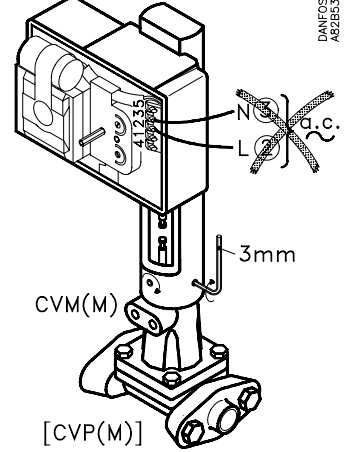
DANFOSS
A82B532.10

AMV 523

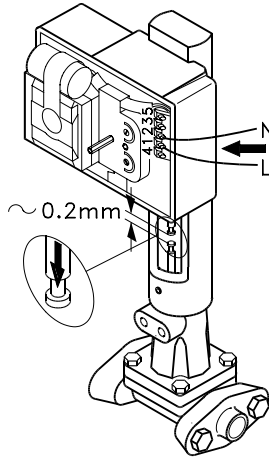


DANFOSS
A82B533.11

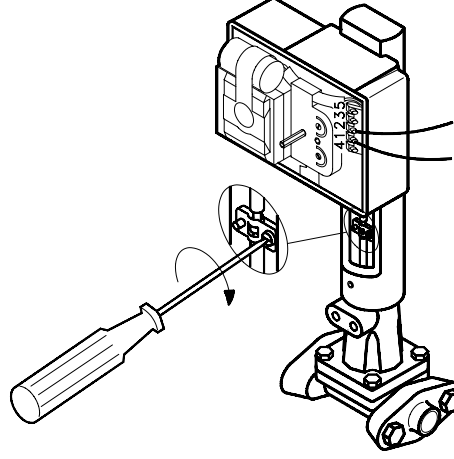
AMV 523



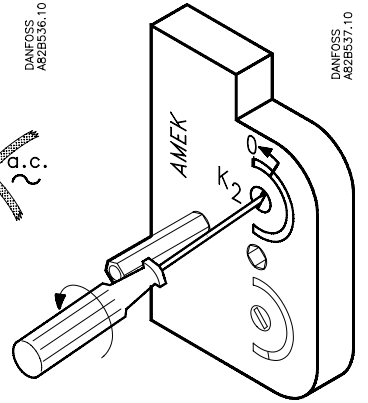
DANFOSS
A82B534.10



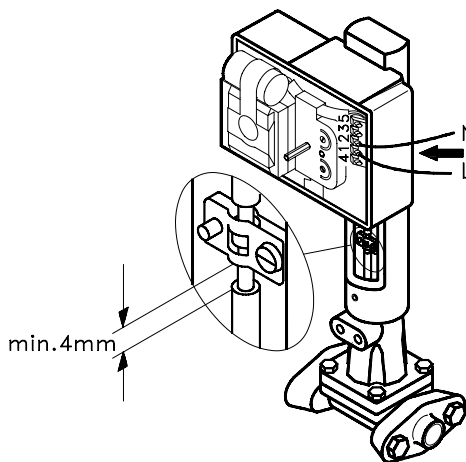
DANFOSS
A82B535.11



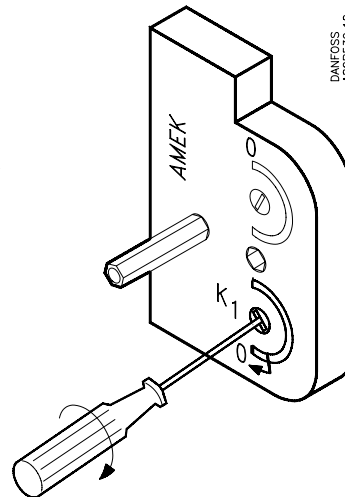
DANFOSS
A82B536.10



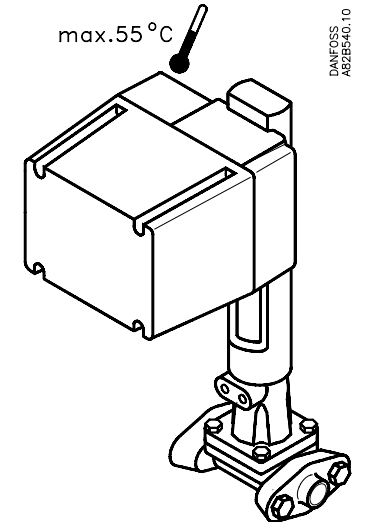
DANFOSS
A82B537.10



DANFOSS
A82B538.10



DANFOSS
A82B539.10



DANFOSS
A82B540.10