



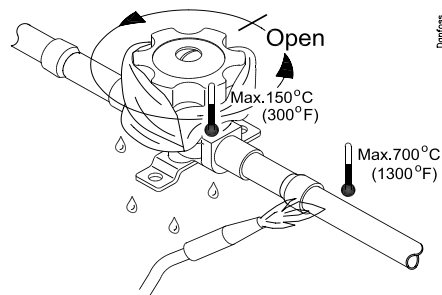
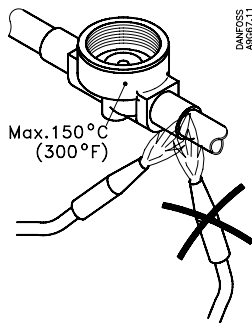
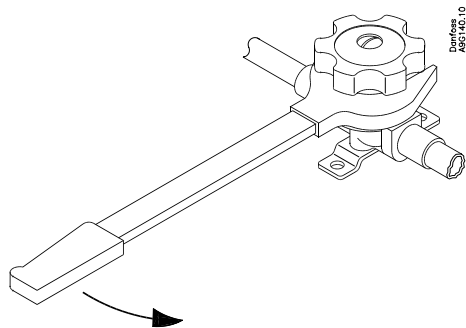
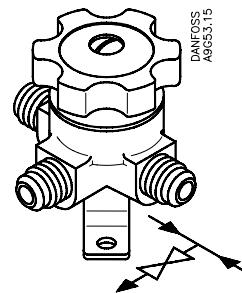
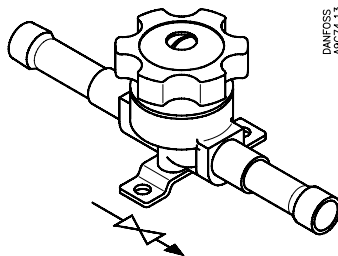
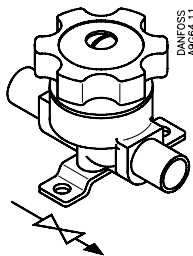
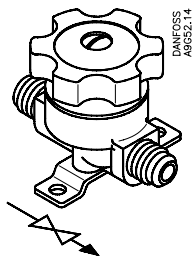
INSTRUCTIONS

BM

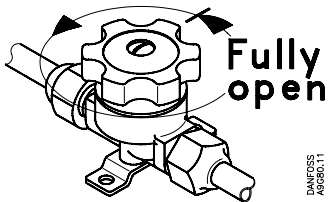
009F9663

HFC, HCFC, CFC
-55 → +100°C / -70 → +212°F

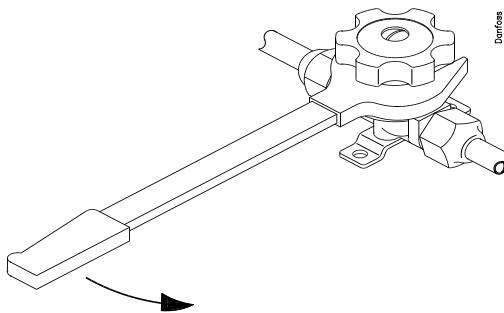
-1 → 21 bar / 30 in.Hg → 305 psig
PB = 28 bar / MWP = 400 psig



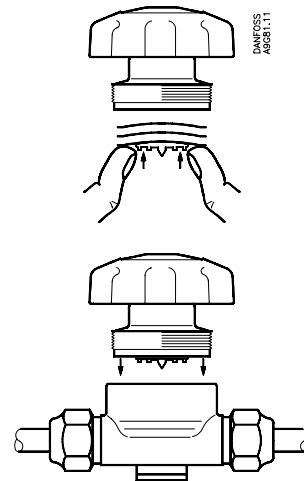
009F9663



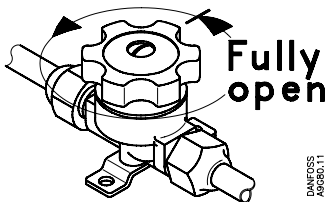
DANFOSS
A8R80.11



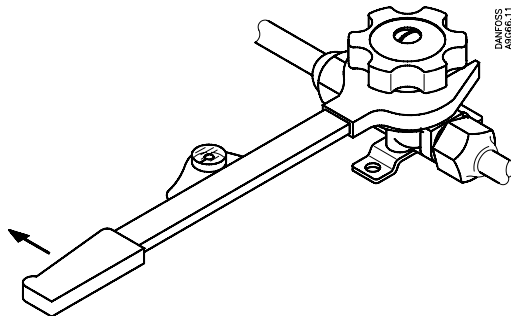
Danfoss
A8R79.12



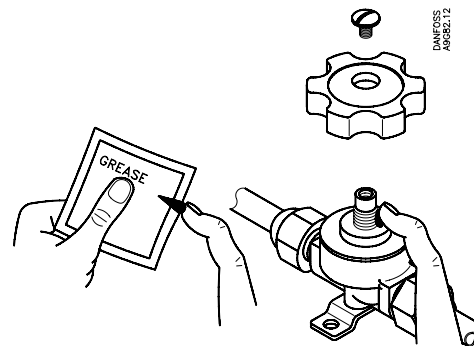
DANFOSS
A8R81.11



DANFOSS
A8R80.11



DANFOSS
A8R66.11



DANFOSS
A8R82.12

BM 6 → 10	60 Nm / 44 ft-lbs
BM 12	90 Nm / 66 ft-lbs
BM 16 → 22	140 Nm / 103 ft-lbs