

INSTRUCTIONS / INSTRUKTION



Fig. 1

Performer
SCROLL COMPRESSORS

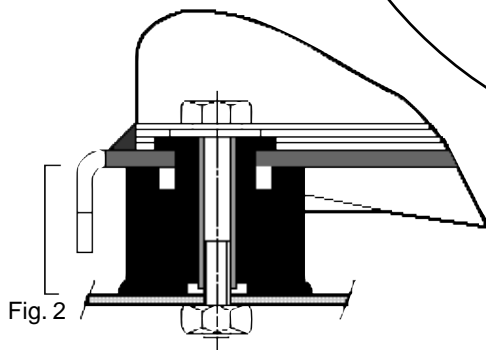


Fig. 2

1 HP →	4 LP
2 LP ←	5 OIL
3 OIL	6 OIL OIL

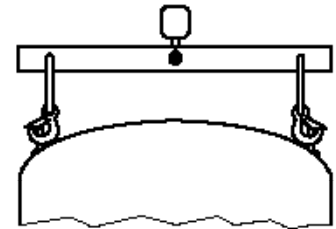


Fig. 3

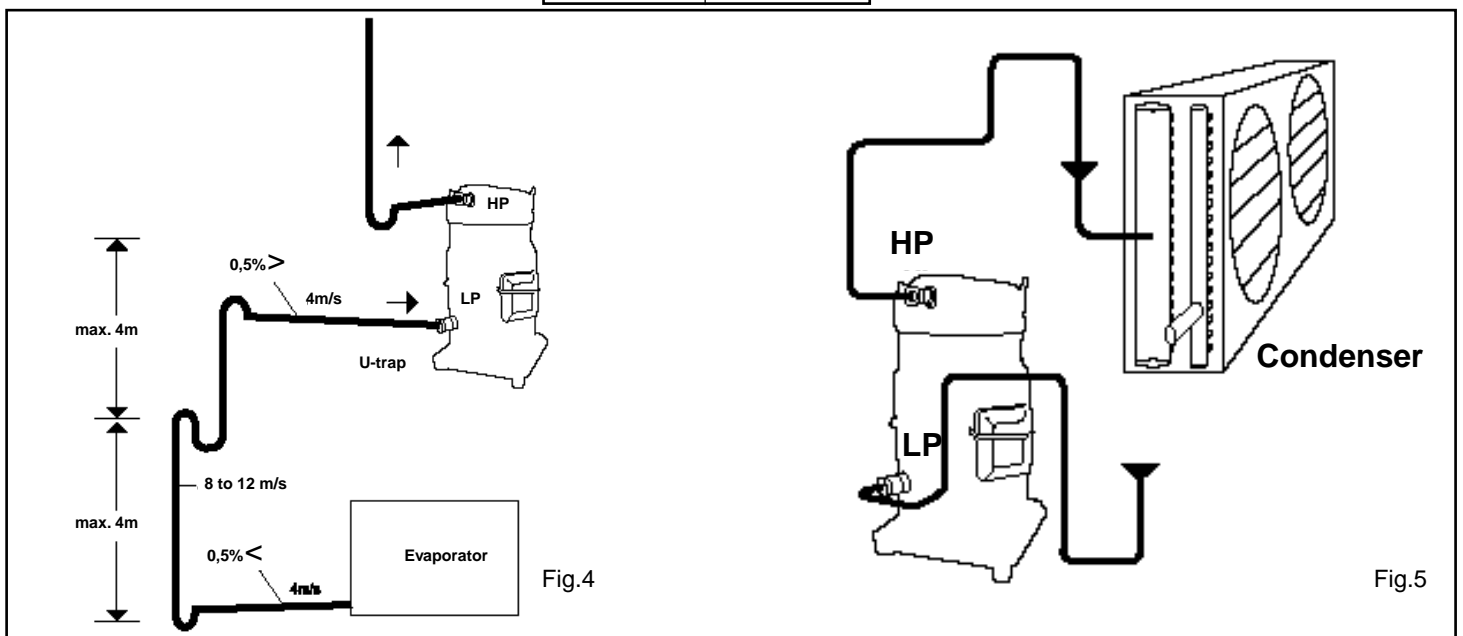


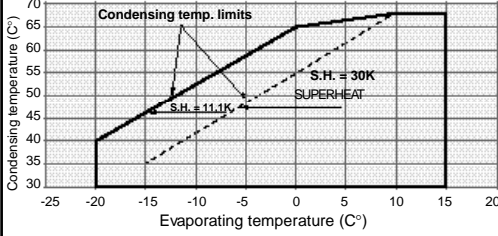
Fig. 4

Fig. 5

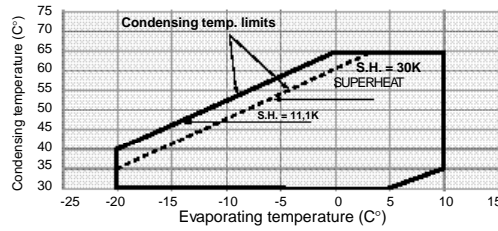
S084 to 185

S240. 300

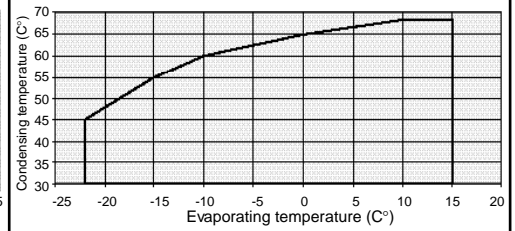
SZ R407C



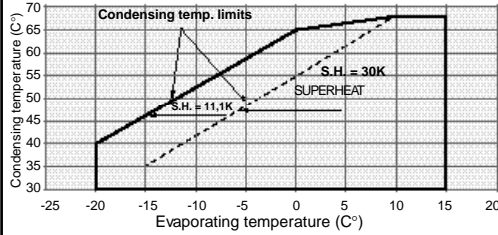
SZ R404A & R507



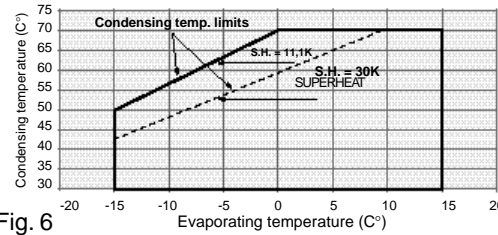
SZ R407C



SM R22



SZ R134a



SY R22

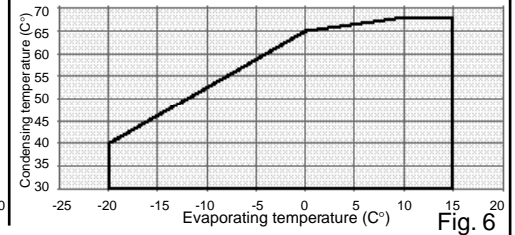


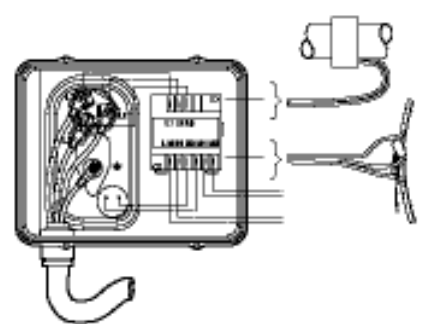
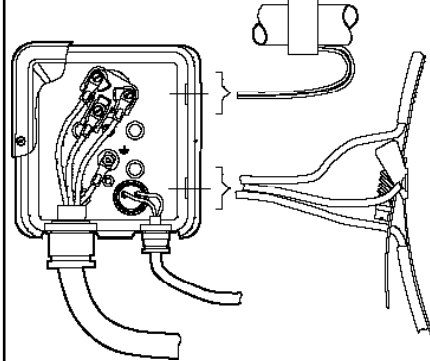
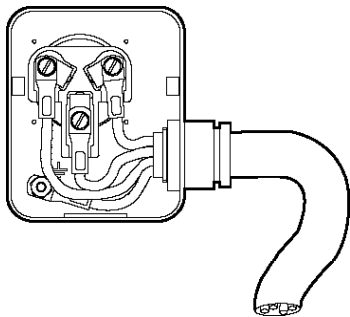
Fig. 6

Fig. 6

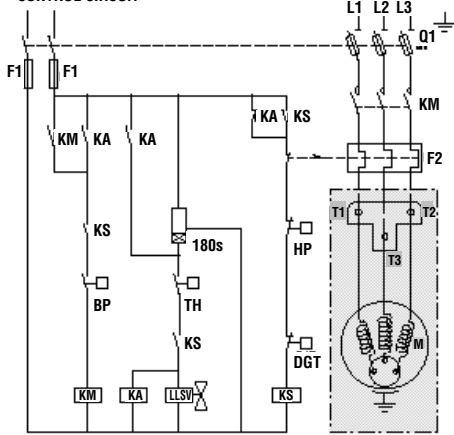
S084. 090. 100. 110. 120. 161

S115. 125. 160. 175. 185.

S240. 300



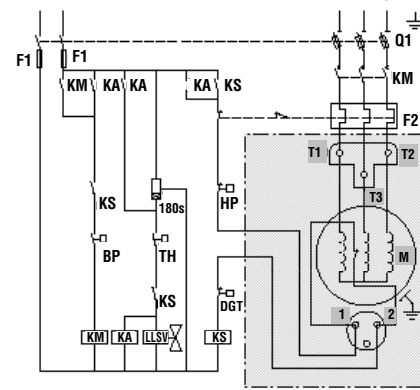
CONTROL CIRCUIT



Wiring diagram with pump-down cycle

Fig. 7

CONTROL CIRCUIT



Wiring diagram with pump-down cycle

Fig. 8

CONTROL CIRCUIT

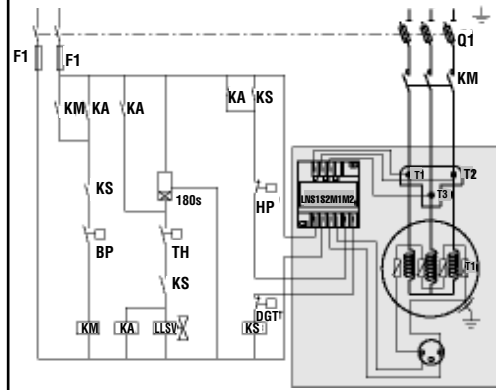


Fig. 9

Contents

- 1 - Introduction
- 2 - Transportation, storage
- 3 - Safety measures prior to assembly
- 4 - Assembly
- 5 - Leak detection
- 6 - Vacuum procedure
- 7 - Electrical connections
- 8 - Filling the system
- 9 - Verification before commissioning
- 10 - Start up
- 11 - Troubleshooting
- 12 - Maintenance
- 13 - Replacement
- 14 - User advisory

1- Introduction

These instructions pertain to Performer® hermetic scroll compressors used for A/C purposes. They are intended to provide necessary information regarding safety features and proper handling of this product.

Note that this is a general document for the entire range of scroll compressors; certain details therefore may not be applicable to the particular model you purchased. Please keep your manual and all relevant information handy for future reference.

■ Equipment description: This compressor is delivered with all assembly equipment (rubber mounting grommets and screws, washers, connecting sleeves depending on models) the electrical box and cover and Instructions.

■ Approved list of refrigerants:

- o The SM/SY series can be used with R22,
- o The SZ 084 to 185 series can be used with R134a, R407C, R404A and R507A.
- o The SZ 240 and 300 can be used with R407C.

■ Compressors are filled with lubricant before leaving the factory:

- o The SM series with mineral oil (ref. 160P),
- o The SZ series with polyester oil (ref. 160SZ),
- o The SY series with polyester oil (ref. 320SZ).

These lubricants must not be mixed with one another.

■ Performer® Scroll compressors must only be used for their designed purpose(s) and within their scope of application (refer to Fig. 6).

⚠ Compressors are delivered under nitrogen gas pressure (between 0.3 and 1 bar) and hence cannot be connected as is; please refer to the “**Assembly**” section for further details.

⚠ Compressors are not certified for mobile and explosion-proof applications. Any use of flammable refrigerant (e.g. hydrocarbons) or air is also strictly forbidden.

■ Under all circumstances, the EN378 (or other applicable local regulation) requirement must be fulfilled.

In agreement with the European directive 97/23/EC (PED), the compressor name plate gives the low side maximum allowable pressure P_s and the highest corresponding temperature T_s calculated for applicable refrigerants.

⚠ When pressure tests are required on the system, they are to be performed by qualified personnel, in paying close attention to potential pressure-related hazards and heeding the pressure limits displayed on the compressor nameplate or in the application guidelines.

⚠ Modifications or alterations (such as brazing on the shell) not expressly approved by the party

responsible for ensuring compliance could invalidate the user's authorization to operate the equipment.

2 - Transportation, storage

■ The compressor must be handled in the vertical position (maximum offset from the vertical: 15°). Should the compressor be handled in an upside-down position, its performance may no longer be insured.

■ Beware that all compressor handling must be carried out with extreme caution to avoid any shocks. Dedicated packing handles are to be used for all required manipulation of the compressor; otherwise appropriate and safe lifting equipment is to be used during handling and unpacking. (Refer to Fig. 3).

■ Any damage noticed on either the packaging or the product itself upon reception should be indicated on a Customer Claim addressed to the shipping company. The same recommendation applies to all instances when transport instructions have not been fully respected.

■ Please review the safety instructions printed on the cardboard packaging before storage.

■ Verify that the compressor is never stored in an ambient temperature of below -35°C (-31°F) or above the limit specified on the compressor name plate (Ps or Ts, whichever limit is reached first, depending on the refrigerant used).

■ Ensure that the compressor and its packaging are not exposed to rain and/or a corrosive, flammable atmosphere.

3 - Safety measures prior to assembly

■ All installation and servicing is to be performed by qualified personnel in compliance with all pertinent practices and safety procedures.

■ The compressor must be located in a ventilated area to ensure that the ambient temperature never exceeds 50°C (122°F) during the off-cycle.

■ Make certain that the compressor can be mounted on to a horizontal plane with a maximum slope of 3°.

■ Check that the compressor model corresponds to system specifications (capacity, use of refrigerant, etc.).

■ Verify that the power supply corresponds to compressor motor characteristics (refer to the compressor nameplate for precision).

■ Ensure that the refrigerant-charging equipment, vacuum pumps, etc. for HFC refrigerant systems have been specifically reserved for these refrigerants and never used with other CFC, HCFC refrigerants.

■ Use only clean and dehydrated refrigeration-grade copper tubes as well as silver alloy brazing material.

■ Verify that all system components are appropriate (use of refrigerant, etc.), clean and dehydrated before being connected to the completed assembly.

■ Perform a check on the suction lines: Horizontal sections are to be sloped downwards towards the compressor. Suction gas velocity must be high enough to provide for an adequate oil return. This velocity must be within 8 to 12 m/s in vertical risers. In horizontal pipes, this velocity can decrease to 4 m/s. The use of U-trap and double-suction risers may be required on vertical sections, but not in excess of 4 m unless a second U-trap system has been fitted (refer to Fig. 4). Suction line piping must be insulated in order to minimize the effects of superheating.

■ Perform a check on the discharge lines: Piping to the condenser must be designed so as to prevent liquid return to the compressor. The use of non-return valves may prove necessary, depending on the position of the compressor with respect to the condenser. A suitably-sized U-trap may also be necessary if the condenser has been placed above the compressor (refer to Fig. 5).

■ The piping connected to the compressor must be configured on the basis of a flexible 3-axis design to dampen vibrations and designed in such a way as to prevent free liquid refrigerant migration and drainage back to the compressor sump (refer to Fig. 5).

■ Note that all local and regional regulations and safety standards, such as EN378, must be taken into account when designing, connecting and running the system.

4 - Assembly

⚠ The compressor's time of exposure to the atmosphere during installation shall be held to a minimum. The compressor connection must be fast in order to avoid moisture contamination of the lubricant.

■ The grommets must be installed under the compressor feet, as shown in Figs. 1 and 2. Rubber grommets are to undergo compression until contact is made between the flat washer and the steel mounting sleeve.

⚠ Before opening the compressor connection fittings, it is mandatory to connect a 1/4" service hose to the Schrader fitting on the compressor shell in order to gradually release the nitrogen holding charge.

■ Ensure that no material enters into the system while cutting the tubing. Moreover, never drill holes in the pipe work after installation.

■ Should additional components need to be connected on to the compressor sight glass or oil equalization ports, it is recommended that such an operation be carried out prior to final assembly, to allow for compressor inclination and movement.

■ Avoid flare-type connections and exercise great care while brazing (use only state-of-the-art practices); apply a nitrogen gas flow to prevent oxidation inside the tubing, especially when HFC refrigerants are being used. All brazing material is to contain a minimum of 5% silver.

■ When brazing, protect the terminal box and painted surfaces of the compressor from torch heat damage.

■ For compressors equipped with Rotolock, remove the Teflon gaskets when brazing Rotolock connectors with the solder sleeve and be aware that original suction and discharge gaskets must be replaced.

■ When installing Rotolock fittings, always use two wrenches when tightening any fittings to ensure that the torque is effectively cancelled on the adjacent tubing and fittings. Do not exceed the maximum tightening torque for Rotolock connections to the compressor.

(1" Rotolock 80Nm - 1"1/4 Rotolock 90Nm 1"3/4 Rotolock 110Nm - 2"1/4 Rotolock 130Nm).

■ Be sure to connect the required safety and control devices onto compressor shutoff valves or fittings.

■ In case of oil return through the Schrader fitting on the compressor shell, make sure the internal valve is removed.

5 - Leak detection

⚠ Never use oxygen or dry air in order to avoid the risk of fire or explosion.

■ Perform a leak detection test on the complete system by means of: a dry nitrogen pressure test,

a mixture of nitrogen and the refrigerant to be used in the system, a helium leak test and/or a deep vacuum test.

■ The test should be long enough in duration to ensure the absence of any slow leaks in the system.

■ Use tools specifically designed for detecting leaks.
■ The low side test pressure must not exceed 25 bars.

■ For high side test pressure recommendations, please refer to the Application Guidelines.

■ Whenever the compressor is equipped with suction and discharge shut-off valves, these valves are to remain in the closed position while performing the leak test (compressor leak test already performed in the factory).

■ Should a leak be discovered, proceed with repair steps and repeat the leak detection.

■ When a deep vacuum leak detection test is selected, observe the following:

- 1) The level to reach is 500 μm Hg.
- 2) Wait 30 min.
- 3) If pressure increases rapidly, the system is not airtight. Locate and repair leaks. Restart the vacuum procedure, followed by steps 1, 2, etc.
- 4) If pressure increases slowly, the system contains moisture inside. Break the vacuum with nitrogen gas and restart the vacuum procedure, followed by steps 1, 2, etc.
- 5) Connect the compressor to the system by opening the valves.
- 6) Repeat the vacuum procedure, followed by steps 1, 2, etc.
- 7) Break the vacuum with nitrogen gas.
- 8) Repeat the vacuum procedure, steps 1,2; a vacuum of 500 μm Hg (0.67 mbar) should be reached and maintained for 4 hours. This pressure is to be measured in the refrigeration system, not at the vacuum pump gauge.

⚠ Do not use a megohmmeter or apply power to the compressor while it is under vacuum, as this may cause motor winding damage (motor burn-out).

⚠ Do not use colored leak detection fluids. Do not use chlorofluorocarbon in leak testing systems designed for HFC fluids.

6 - Vacuum procedure

Whenever possible (if shut-off valves are present), the compressor must be isolated from the system. It is essential to connect the vacuum pump to both the LP & HP sides, in order to avoid dead-ending system parts.

Recommended procedure:

- 1) Once leak detection has been completed,
- 2) Pull down the system under a vacuum of 500 μm Hg (0.67 mbar).
- 3) When the vacuum level of 500 μm Hg has been reached, the system must be isolated from the pump.
- 4) A vacuum of 500 μm Hg (0.67 mbar) has to be reached and maintained for 4 hours. This pressure is to be measured in the refrigeration system, not at the vacuum pump gauge. If pressure increases, restart the leak-detection procedure (refer to the "Leak detection" section of this manual if necessary).

Vacuum pump:

A two-stage vacuum pump with gas ballast (0.04-mbar standing vacuum) shall be used; its capacity is to be consistent with system volume. Never use the compressor as a vacuum pump.

It is recommended to use large-diameter connection lines and to connect these lines to the shut-off valves, rather than to the Schrader

connection. This recommendation allows avoiding excessive pressure losses.

Moisture level:

At the time of commissioning, system moisture content may be as high as 100 ppm. During operation, the liquid line filter dryer must reduce this level to < 20 ppm.

Additional notes:

■ To improve moisture removal, the temperature of the system should not be lower than 10°C.

■ A proper vacuum procedure is even more important with HFC and polyolester lubricant than it has "traditionally" been with HCFC (R22) or CFC and mineral oil.

■ For further details, please refer to TI bulletin 1-026.

⚠ Do not use a megohmmeter or apply power to the compressor while it is under vacuum, as this may cause motor winding damage (motor burn-out).

7 - Electrical connections

■ Make sure the main power supply to the system has been switched off and isolated, in accordance with applicable regulations, before performing any electrical connection.

■ Refer to Figs. 7, 8, 9 for wiring connection details with respect to the various motor codes.

■ Note that Performer® compressors SM/SZ 115 -125- 160 - 175 - 185 are provided with a bimetallic single pole single throw thermostat which is located in the motor windings. Because the thermostat is an automatic reset device, it must be wired in a lockout safety circuit with a manual reset to restart the unit (refer to Fig. 8).

For over-current protection, an external manual reset overload protector must be used.

■ Note that Performer® compressors SM/SZ 084 -090- 100 - 110 - 120 - 161 are protected against overheating and overloading by an internal safety motor protector. However, an external manual reset overload protector is recommended for protecting the circuit against over-current (Fig. 7). S240. 300 motors are protected by an external module protecting against phase loss/reversal, overheating and high current draw (Fig. 9).

■ The "must trip" value of these overload relays must be set in accordance with power line sizing and design and shall never exceed the "A max." value stamped on the nameplate.

■ Performer is a unidirectional machine and will only pump refrigerant when properly phased. The S084 to S185 compressors incorporate an internal reverse rotation protection to safeguard the compressor. If reverse rotation occurs, shut the compressor down and connect phases to the proper terminals. If reverse rotation is not halted, the compressor will cycle off on the internal motor protection. For the S240 and S300 compressors, a phase sequence controller function is built into the external motor protection module (Refer to Fig. 9).

■ The power supply connection is made by means of a T-block connector (screw type 4.8 mm - 3/16") and the thermostat connection is made by means of a spade connector (1/4"-AMP-AWE). For screw type connections, note that the maximum tightening torque is 3 N-m.

■ A 5-mm earth terminal screw is provided in the compressor junction box for the grounding connection. All electrical components must be selected as per local standards and compressor requirements.

8 - Filling the system

■ Before charging the refrigerant, verify that the oil level is between 1/4 and 3/4 on the compressor oil sight glass (when mounted) and/or ensure that the oil charge of the original compressor is sufficient as regards system dimension and piping design:

o An additional quantity of oil might be necessary for line lengths (back and forth) in excess of 20 m.

o In the event additional oil is required, use only an approved lubricant (refer to the "Introduction" section of this manual).

o An oil sight glass compressor model is recommended for split systems and remote condenser installations.

For all information necessary on adding oil to the compressor, refer to TI bulletin 1-025.

■ Make sure the refrigerant used to fill the system is compatible with compressor design. Refer to the "Introduction" section of this manual for an approved list of refrigerants.

■ Compressor switched off: The liquid refrigerant is charged into the condenser and/or liquid receiver in the liquid phase (compulsory for refrigerant blends). The charge must be as close to the nominal system charge as possible in order to avoid both low pressure operations and excessive superheating at start-up. Throughout this operation, both compressor service valves must remain closed.

■ Remember that vapor-charging is only appropriate for pure refrigerants, such as R22.

■ To the extent possible, maintain the refrigerant charge below the refrigerant charge limit for the compressor model. Above this limit, install a system, such as a pump-down cycle or suction line accumulator, to prevent against liquid flood-back into the compressor.

■ Be sure that the refrigerant charge is suitable for both winter and summer operations.

9 - Verification before commissioning

⚠ Ensure that all service valves are in the open position before start-up. A closed discharge or suction service valve may cause serious damage to the compressor and/or compromise safety device operation, thereby resulting in potential injury to personnel.

■ Check that all safety devices are operational and properly set (safety pressure switch set point, mechanical relief valve if necessary, etc.). Make sure that these devices comply with both generally - and locally - applicable regulations and standards (e.g. EN378).

■ When using high-pressure switches or relief valves, the setting must not exceed maximum service pressure of any system component. Refer to the Application Guidelines for relevant compressor pressure safety limits.

■ A low-pressure switch is recommended to prevent operation under vacuum. Use a minimum setting of 1.2 bar (absolute).

■ Verify that all electrical connections are properly fastened and in compliance with local safety regulations.

■ When a crankcase heater is required (refer to the Application Guidelines), ensure that it has been energized for a minimum of 12 hours before initial start-up and/or during prolonged shutdown periods.

10 - Start up

⚠ Never start the compressor in the absence of a refrigerant charge.

- Do not bypass the LP or any other safety switches during start-up.
- Check current draw and voltage levels.
- Monitor the oil sight glass (when mounted) for 60 min. to ensure proper oil return to the compressor.
- Suction superheat setting: Optimal compressor suction superheat would be around 10K, with the maximum allowable superheat being 30K.

■ In all cases, the application limits of the compressor must be respected; moreover, high superheat values lead to high discharge temperatures and decrease compressor capacity. The maximum discharge temperature is 130°C : operating at a higher temperature may result in refrigerant decomposition.

■ Under steady-state operating conditions, check refrigerant piping or capillary tubes for abnormal vibrations (refrigeration line movement in excess of 1.5 mm necessitates corrective actions, pipe brackets, etc.).

■ After 2 to 4 hours of operations under established conditions, check the oil level and add oil if necessary (refer to TI bulletin 1-025). If oil return continues to perform poorly, further investigation of the piping design is required.

■ Ensure that refrigerant flow through the liquid line sight glass (when mounted) is adequate and that operating temperatures correspond with system specifications.

■ When needed, refrigerant may be added in the liquid phase, carefully throttling the refrigerant on the low-pressure side and as far as possible from the compressor. The compressor must be operating during this process.

⚠ Do not overcharge the system.

11 – Troubleshooting

■ **Compressor failure to start:** Verify that the compressor is hooked up to the power supply; check the power lead connections. If these verifications reveal no abnormality, control the motor windings with an ohmmeter.

Note: When the internal motor protector has tripped out (SM/SZ 084 -090- 100 - 110 - 120 - 161), it may take up to several hours to reset and restart the compressor.

■ **Compressor failure to build up pressure:** Check to make sure that all bypass valves in the system have not been open. Also check that all solenoid valves are in their proper position. For S240 and S300 models, if the internal pressure relief valve is opened, the compressor sump will be warm and the compressor will trip out on the motor protector. If this happens, it may take up to 2 or 3 hours to reset.

■ **Abnormal running noise:** Ensure the absence of any liquid flood-back to the compressor by means of measuring the return gas superheat and compressor sump temperature. The sump should be at least 10K above the saturated suction temperature under steady-state operating conditions.

■ **The high-pressure switch trips out:** Check condenser operations (condenser cleanliness, fan operations, water flow and water pressure valve, water filter, etc.). If above check out OK, the problem may be due to either refrigerant over charging or the presence of a non-condensable (e.g. air) in the circuit.

■ **The low-pressure switch trips out:** Check evaporator operations (coil cleanliness, fan operations, water flow, water filter, etc.), liquid

refrigerant flow and pressure drops (solenoid valve, filter dryer, expansion valve, etc.), refrigerant charge.

■ **Low refrigerant charge :** The correct refrigerant charge is given by the liquid sight glass indication, the condenser delta T in relation to the refrigerant pressure tables (pressure-temperature), the superheat and the sub-cooling, etc. ((if additional charge is deemed necessary, refer to the “**Filling the system**” section).

■ **Compressor short cycling :** The number of cycles shall never exceed 12 starts per hour.

12 - Maintenance

■ Performer® compressors do not necessitate any special maintenance procedure. However, it must be recalled that proper operations and maintenance of the system serve to prevent against system-related compressor problems. The following preventive maintenance checks, to be performed at regular intervals, are highly recommended:

o Control operating conditions (evaporating temperature, condensing temperature, compressor discharge temperature, temperature difference on heat exchangers, superheat, sub-cooling). These conditions must always remain within compressor operation limits.

o Verify that safety devices are operational and properly set.

o Check the compressor oil level and quality; this step may include an acid test, humidity check, spectrometer analysis, etc. whenever the oil becomes discolored.

o Ensure that the circuit is leak tight.

o Verify the proper operation of heat exchangers and, if necessary, clean them.

o Check the current draw on the compressor motor as well as proper voltage balance between phases.

o Check that all electrical connections are still adequately fastened.

o Make sure the compressor is clean and in good working order; verify the absence of rust on the compressor shell, piping and electrical connections.

o Make sure the refrigerant charge is suitable for both winter and summer operation.

■ Ensure that periodic in-service inspections required by local regulations are performed.

13 – Replacement

⚠ Precaution must be taken when disconnecting, cutting or drilling holes in the tubing to ensure that no refrigerant under pressure is present in the system.

⚠ The refrigerant shall not be discharged directly into the atmosphere; rather, it must be removed using approved reclamation techniques and equipment and then safely stored, in accordance with applicable legislation.

⚠ The presence of refrigerant vapor can displace air and lead to suffocation. Proper ventilation is mandatory at all times when servicing the equipment.

⚠ A refrigeration system component change must be carried out in compliance with local regulations.

■ Make sure that the main power supply has been switched off.

■ Before replacement, it is necessary to determine the cause of failure and implement remedial action. If such analysis and repair are not performed, repetitive failure may occur.

Note that an oil acidity test always proves helpful in

diagnosis when undertaking compressor replacement.

■ Check that the new Performer® compressor and the on-site compressor to be replaced display the same electrical and refrigeration performance characteristics.

■ Use the rubber grommets and gaskets supplied with the new compressor.

■ Whenever piping needs to be modified, please refer to the “**Safety measures prior to assembly**” section.

■ For further details on replacement steps, refer to the previous sections of this manual.

Note: *In the event of motor failure, flush and clean the entire circuit before replacing the compressor in order to remove acids and contaminants. Systematically install a new filter dryer on the liquid line. Prior to this step (if necessary), run the system for at least 2 hours with anti-acid cartridges (in such instances, the installation of a suction filter might also be required). After an operating period of approximately 2 weeks, check the level of oil acidity. If the oil acid test proves positive, drain and replace the oil, replace the anti-acid liquid line filter dryer cartridges and the suction filter previously installed. Repeat oil and filter dryer replacements until the system is clean and acid-free. When there is no longer any sign of acidity, replace the anti-acid cartridges by the standard model and remove the suction strainer cartridge as required.*

14 - User advisory

Insist that all service operations only be performed by qualified personnel.

⚠ The compressor and tubing surface temperatures may exceed 100°C (212°F) and cause severe bodily burns. Special precaution must be taken when working around the compressor and refrigerant tubing. Moreover, a compressor in operation can generate very cold surface temperatures (as low as -25°C / -13°F), thereby exposing personnel to the risk of freezing burns.

⚠ Pressure inside the compressor can reach dangerously high levels (e.g. abnormal operation, fire,...) leading to personnel injury if suddenly released; therefore, never drill, weld or cut the compressor shell and adjacent tubing (release of liquid refrigerant can cause flash freezing on exposed skin).

Be aware that the product warranty may be deemed null and void in the following cases:

■ external modifications to the compressor (absence of nameplate, drilling, welding, broken feet, shock marks),

■ compressor opened by the user or returned unsealed (i.e. open discharge or suction ports),

■ presence of rust or water inside the compressor

■ addition of leak-detection fluid in the lubricant

■ use of a refrigerant or lubricant not approved by Danfoss Maneurop S.A.,

■ any deviation from recommended instructions pertaining to installation, application or maintenance,

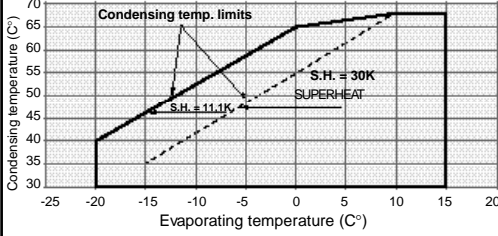
■ use in mobile applications (boats, trains, trucks, etc.) or under explosive atmospheric conditions (the compressor connecting box is not explosion-proof).

The date of production of the compressor is indicated on the nameplate. Ensure that the model and serial number information is always transmitted with any claim filed regarding this product.

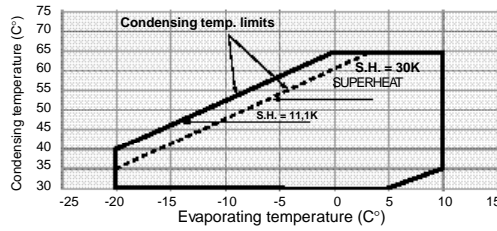
S084 to 185

S240. 300

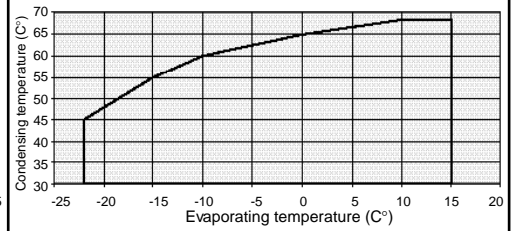
SZ R407C



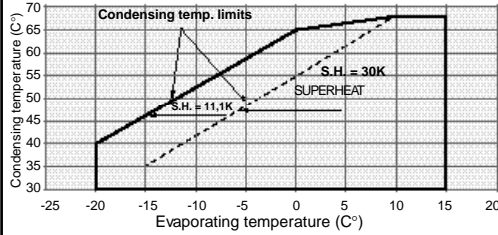
SZ R404A & R507



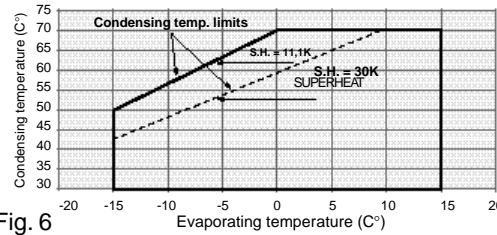
SZ R407C



SM R22



SZ R134a



SY R22

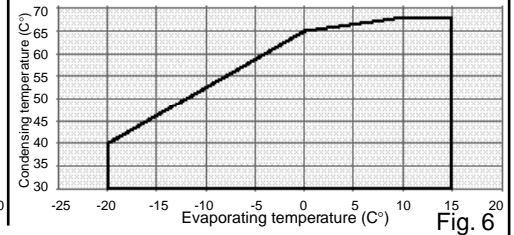


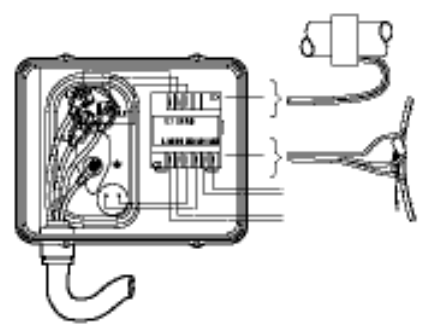
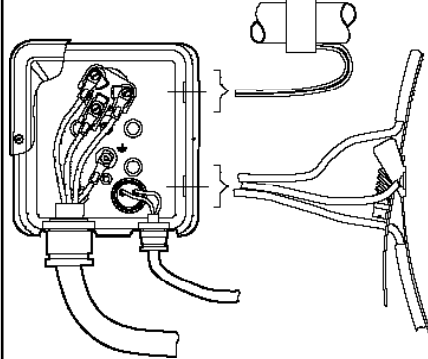
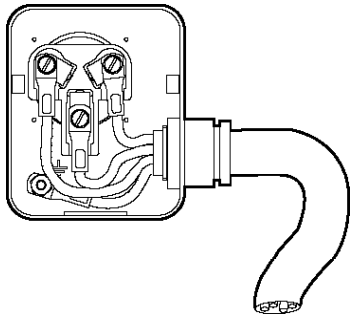
Fig. 6

Fig. 6

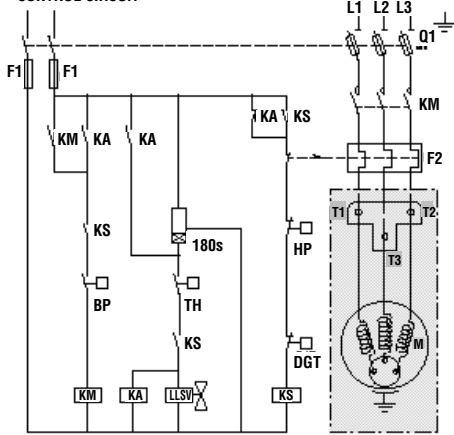
S084. 090. 100. 110. 120. 161

S115. 125. 160. 175. 185.

S240. 300



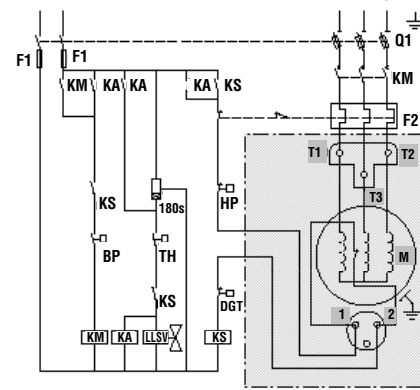
CONTROL CIRCUIT



Wiring diagram with pump-down cycle

Fig. 7

CONTROL CIRCUIT



Wiring diagram with pump-down cycle

Fig. 8

CONTROL CIRCUIT

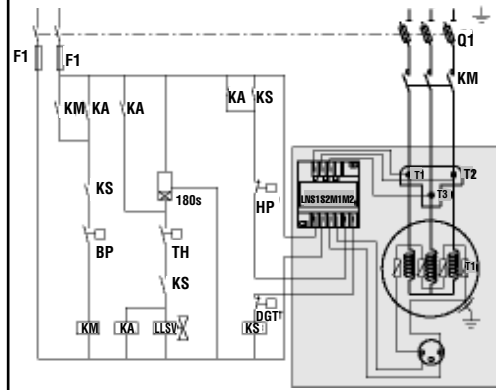


Fig. 9

Sommaire

- 1 - Introduction
- 2 - Transport, entreposage
- 3 - Mesures de sécurité avant montage
- 4 - Montage
- 5 - Détection des fuites
- 6 - Tirage au vide et déshydratation
- 7 - Connexions électriques
- 8 - Charge réfrigérant
- 9 - Vérification avant démarrage
- 10 - Mise en service
- 11 - Dépannage
- 12 - Maintenance
- 13 - Remplacement
- 14 - Conseils aux utilisateurs

1 - Introduction

Ces instructions s'appliquent aux compresseurs scroll hermétiques Performer® utilisés pour les systèmes de climatisation. Elles fournissent les informations nécessaires relatives à la sécurité, à la manutention et aux méthodes d'utilisation de ces produits.

Notez que ce document est général et couvre l'ensemble de la gamme des compresseurs scroll, certains points pouvant ne pas s'appliquer au modèle dont vous êtes rendu acquéreur. Veuillez conserver ce manuel d'instructions et toute information qui pourrait s'avérer utile ultérieurement.

■ Description de l'équipement : ce compresseur est livré avec toutes ses pièces de montage (bloc caoutchouc, vis, rondelles, entretoises métalliques, selon les modèles), la boîte à bornes et son couvercle ainsi que les instructions d'installation.

■ Liste des réfrigérants autorisés :

- o Les gammes SM/SY peuvent être utilisées avec le réfrigérant R22,
- o La gamme SZ de 084 à 185 peut être utilisée avec le réfrigérant R134a, R407C, R404A et R507A.
- o Les SZ 240 et 300 peuvent être utilisés avec le réfrigérant R407C.

■ Les compresseurs reçoivent une charge de lubrifiant en usine :

- o Les séries SM : huile minérale (réf. 160P),
- o Les séries SZ : huile polyoester (réf. 160SZ).
- o Les séries SY : huile polyoester (réf. 320SZ).

Ces lubrifiants ne doivent pas être mélangés à d'autres types de lubrifiants.

■ Les compresseurs scroll Performer® doivent être utilisés uniquement dans le cadre de leur plage d'application spécifique (voir Figure 6) et en conformité avec les guides et recommandations d'application publiés par le constructeur.

⚠ Les compresseurs sont livrés sous pression d'azote (entre 0,3 et 1 bar) et ne peuvent donc pas être connectés tels quels ; veuillez vous reporter à la rubrique «Montage» pour plus de détails.

⚠ Les compresseurs ne sont pas certifiés pour des applications mobiles et anti-déflagrantes. Par ailleurs, leur utilisation avec des réfrigérants inflammables (hydrocarbures par exemple) ou de l'air est strictement interdite.

■ En toutes circonstances, les exigences de la norme européenne EN378 doivent être satisfaites.

En accord avec la directive Européenne 97/23/EC (PED), la plaque signalétique du compresseur donne la pression maximum autorisée

côté basse pression Ps et la plus haute température correspondante Ts déterminée par rapport aux réfrigérants utilisables.

⚠ Tout test de pression du système doit être effectué par un personnel qualifié, portant la plus grande attention aux dangers potentiels liés à la pression et respectant les limites de pression indiquées sur la plaque signalétique du compresseur ou dans les instructions.

⚠ Toute modification ou altération (telle qu'un brasage sur l'enveloppe) non spécifiquement approuvée par l'organisme chargé de certifier la conformité pourra invalider le droit de l'utilisateur d'exploiter l'équipement.

2 - Transport, entreposage

■ Le compresseur doit être manutentionné en position verticale (inclinaison maximum par rapport à la verticale : 15°). Si le compresseur est manipulé à l'envers, son fonctionnement peut en être affecté.

■ Le compresseur doit être manipulé avec la plus extrême prudence afin d'éviter tout choc éventuel.

■ Les poignées d'emballage spécialement conçues à cet effet doivent être utilisées pour chaque manipulation du compresseur ; si tel n'est pas le cas, un équipement de levage approprié et sûr ainsi que les anneaux de levage du compresseur devront être utilisés pendant le déballage et la manutention.

■ Tout dommage constaté sur l'emballage ou sur le produit lui-même au moment de la livraison devra faire l'objet d'une réclamation adressée au transporteur. Les mêmes recommandations s'appliquent aux cas de non-respect des instructions de transport.

■ Veuillez lire soigneusement les consignes de sécurité imprimées sur l'emballage carton avant l'entreposage.

■ Vérifiez que le compresseur entreposé ne sera pas soumis à une température ambiante inférieure à -35°C (-31°F) ou dès qu'une des valeurs limites données sur la plaque signalétique du compresseur est atteinte (Ps ou Ts, la première valeur atteinte en fonction du réfrigérant utilisé étant restrictive).

■ Assurez-vous que le compresseur et son emballage ne sont pas exposés aux intempéries et/ou à des substances corrosives ou inflammables.

3 - Mesures de sécurité avant montage

■ Toute opération de montage et d'entretien devra être effectuée par un personnel qualifié conformément à l'ensemble des pratiques courantes et aux mesures de sécurité de la profession.

■ Le compresseur devra être placé dans un endroit ventilé afin d'assurer que la température ambiante ne dépasse jamais les 50°C (122°F) pendant les cycles d'arrêt.

■ Assurez-vous que le compresseur est monté sur un plan horizontal (inclinaison maximale de 3°/horizontale).

■ Vérifiez que le modèle de compresseur correspond aux spécifications du système (capacité frigorifique, type de réfrigérant, etc.).

■ Vérifiez que l'alimentation électrique correspond aux caractéristiques du moteur du compresseur (pour plus de précision, reportez-vous à la plaque signalétique du compresseur).

■ Assurez-vous que les équipements de charge réfrigérant, pompes à vide, etc. pour les systèmes HFC ont été spécifiquement réservés pour ces réfrigérants et ne seront jamais utilisés avec d'autres réfrigérants CFC, HCFC, par exemple.

■ N'utilisez que des tubes en cuivre de qualité frigorifique, propres et déshydratés ainsi que de la brasure à base d'argent.

■ Vérifiez que tous les composants du système sont appropriés (adaptés au réfrigérant utilisé, etc.), propres et déshydratés avant d'être connectés à l'installation.

■ Effectuez une vérification des lignes d'aspiration : les sections horizontales doivent être inclinées vers le bas en direction du compresseur. La vitesse du gaz d'aspiration doit être suffisamment élevée pour offrir un retour d'huile suffisant. Cette vitesse doit se situer dans une fourchette de 8 à 12 m/s dans des colonnes verticales. Dans le cas des tubes horizontaux, une vitesse de l'ordre de 4 m/s est suffisante. L'utilisation de siphons en «U» et de doubles colonnes montantes d'aspiration pourra être nécessaire pour les sections verticales. Au-delà de 4 m de colonne montante un deuxième siphon en «U» devra être installé (se reporter à la Figure 4). Les tuyauteries d'aspiration doivent être isolées afin de minimiser les effets de surchauffe.

■ Effectuez une vérification de la ligne de reflux : la tuyauterie au condenseur doit être conçue de façon à protéger le compresseur contre les retours de liquide. L'utilisation de clapets anti-retour peut s'avérer nécessaire selon la position du compresseur par rapport au condenseur. Un collecteur en «U» peut également être nécessaire si le condenseur a été installé au-dessus du compresseur (voir Figure 5).

■ Le dessin des tubes connectés au compresseur doit non seulement être conçu sur la base d'une structure souple selon 3 axes pour amortir les vibrations mais aussi de façon à empêcher l'écoulement de réfrigérant liquide dans le carter pendant les périodes d'arrêt (voir Figure 5).

■ Notez que toutes les normes et réglementations de sécurité locales et régionales, telles que la norme européenne EN378, doivent être prises en considération au moment de la conception, du montage et de la mise en service du système.

4 - Montage

⚠ Pendant l'installation, l'ouverture du compresseur à l'atmosphère doit être limitée à une durée minimale (moins d'une demi-heure). Le raccordement du compresseur sera donc rapide afin d'éviter la contamination du lubrifiant par l'humidité.

■ Les silentblochs doivent être installés sous les pieds du compresseur, comme indiqué Figures 1 et 2. Procédez au serrage des silent-blocs caoutchouc jusqu'à ce que le contact se fasse entre la rondelle plate et l'entretoise en acier.

⚠ Avant d'enlever les bouchons obturateurs de connexion du compresseur, il est impératif de raccorder un jeu de manomètres à raccords flexibles de 1/4" au Schrader sur l'enveloppe du compresseur afin de réduire graduellement la pression d'azote interne.

■ Veillez à la propreté interne des tuyauteries après coupe, ébavurage, etc. De plus, ne jamais percer la tuyauterie après montage.

■ Lorsque des éléments sont montés à la place du voyant d'huile ou vissés aux raccords d'égalisation d'huile, effectuez cette opération avant le montage final, pour une plus grande liberté de mouvement et d'inclinaison du compresseur.

■ Evitez les connexions vissées de type «flare». En cas de connexion brasée, employez un flux d'azote pour éviter l'oxydation interne de la tuyauterie, notamment lorsque les réfrigérants HFC sont utilisés. Les baguettes de brasage doivent contenir un taux d'argent d'au moins 5 %.

■ Au moment du brasage, protégez la boîte de connexion et les surfaces peintes du compresseur de la chaleur dégagée par le chalumeau.

■ Pour les compresseurs équipés d'un rotolock, retirer le joint Téflon lors du brasage du manchon de connexion. Les joints d'aspiration et de refoulement montés d'origine doivent être systématiquement remplacés (joints neufs inclus dans la pochette d'accessoires de montage).

■ Lors du serrage des raccords rotolock, utilisez deux clés afin d'annuler le couple de torsion sur la tuyauterie et les raccords. Ne pas excéder le couple de serrage maximum des raccords rotolock suivants (1" rotolock 80Nm - 1"1/4 rotolock 90Nm - 1"3/4 rotolock 110Nm - 2" 1/4 rotolock 130Nm).

■ Vérifiez que les dispositifs de sécurité ou de régulation préssostatique sont correctement branchés sur les vannes d'arrêt ou sur les raccords.

■ Dans le cas d'un système de retour d'huile par le Schrader BP du compresseur, retirez la valve interne du raccord.

5 - Détection des fuites

⚠ Ne jamais utiliser d'oxygène ou d'air sec, risques d'incendie ou d'explosion.

■ Effectuez un test de détection des fuites sur l'ensemble du système en utilisant les méthodes suivantes : test de pression à l'azote déshydraté ou un mélange d'azote et de réfrigérant prévu pour le système, test de fuite à l'hélium et/ou test de tirage au vide poussé.

■ La durée du test doit être suffisante pour garantir l'absence de micro fuites sur le circuit.

■ Utilisez les outils spécialisés conçus pour la détection des fuites.

■ La pression du test côté basse pression ne doit pas dépasser 25 bars.

■ Pour les recommandations concernant le test

côté haute pression, se reporter au guide d'application.

■ Lorsque le compresseur est équipé de vannes d'arrêt d'aspiration et de refoulement, ces vannes doivent rester en position fermée durant le test de détection (une détection des fuites sur le compresseur ayant déjà été réalisée à l'usine).

■ En cas de fuite, procédez aux réparations et renouvelez le test de détection.

■ Si vous avez choisi un test de tirage au vide poussé, observez les recommandations suivantes :

1) Le niveau de vide à atteindre est de 500 µm Hg.

2) Attendez 30 minutes.

3) Si la pression augmente rapidement, le système n'est pas étanche. Localisez et réparez les fuites. Redémarrez la procédure de tirage au vide et répétez les étapes 1, 2, etc.

4) Si la pression augmente lentement, cela dénote une présence d'humidité à l'intérieur du système. Cassez le vide avec de l'azote et redémarrez la procédure de tirage au vide (étapes 1, 2, etc.)

5) Mettre en communication le compresseur avec le système en ouvrant les vannes.

6) Répétez la procédure de tirage au vide (étapes 1, 2, etc.)

7) Cassez le vide avec de l'azote.

8) Répétez la procédure de tirage au vide (étapes 1, 2) ; un niveau de vide de 500 µm Hg (0,67 mbar) doit être atteint et maintenu pendant quatre heures. Ce niveau de vide doit être mesuré à l'un des raccords du système et non pas au manomètre de la pompe à vide.

⚠ Ne pas utiliser de mégohmmètre et ne pas mettre sous tension le moteur du compresseur lorsque le système est sous vide. Risques de court-circuit interne entre les bobinages du moteur.

⚠ Ne pas utiliser d'additifs pour la détection des fuites. Ne pas utiliser de CFC/HCFC comme fluide traceur de détection des fuites dans le cas d'installations prévues pour HFC.

6 - Tirage au vide et déshydratation

Lorsque cela est possible (compresseurs équipés de vannes d'arrêt), le compresseur devra rester isolé du circuit. Connectez la pompe à vide aux deux côtés haute pression (HP) et basse pression (BP) pour un tirage au vide du circuit dans sa totalité.

Procédure recommandée :

1) Confirmez l'absence de fuites par un test de détection.

2) Procédez à un tirage au vide jusqu'à 500 µm Hg (0,67 mbar).

3) Quand un niveau de vide de 500 µm Hg est atteint, isolez la pompe à vide du circuit.

Ce niveau de vide de 500µm Hg (0,67 mbar) doit être atteint et maintenu pendant quatre heures. Mesurez le niveau de vide sur le circuit plutôt qu'au niveau de la pompe à vide.

Si une remontée de pression est observée, redémarrer la procédure de détection des fuites

(se reporter à la section "**Détection des fuites**" de ces instructions si nécessaire).

Pompe à vide :

Une pompe à vide double étage avec ballast (avec capacité de vide de 0.04 mbar) devra être utilisée, son volume balayé doit être adapté au volume interne du système. Ne jamais utiliser le compresseur comme pompe à vide.

Utilisez des raccords et flexibles de gros diamètre et les connecter aux vannes d'arrêt plutôt qu'au raccord Schrader. Cette mesure permet d'éviter des pertes de charge excessives.

Niveau d'humidité :

Au moment de la mise en service, le taux d'humidité du circuit peut atteindre un niveau aussi élevé que 100 ppm. Pendant le fonctionnement, le filtre déshydrateur liquide doit réduire ce niveau à < 20 ppm.

Notes supplémentaires :

■ Pour améliorer la déshydratation du circuit, la température ne doit pas être inférieure à 10°C.
 ■ Une procédure appropriée de tirage au vide est encore plus importante avec les HFC et les lubrifiants polyoléster que dans une situation «classique» avec réfrigérant HCFC (R22) ou CFC et huile minérale.

■ Pour plus d'informations, vous reporter au bulletin technique TI 1-026.

⚠ Ne pas utiliser de mégohmmètre ou effectuer la mise sous tension du compresseur lorsque le circuit est sous vide, risque de court circuit du moteur (claquage moteur).

7 - Connexions électriques

■ Vérifiez que l'alimentation électrique principale du système a été coupée et isolée, conformément aux règles en vigueur, avant d'effectuer toute opération de raccordement.

■ Se reporter aux schémas 7, 8 et 9 pour les détails de raccordement et de câblage correspondants aux différents modèles de compresseurs.

■ Notez que les compresseurs Performer® SM/SZ 115-125-160-175-185 sont munis d'un thermostat bimétallique unipolaire situé dans les bobinages du moteur. Ce thermostat de surchauffe moteur est à réarmement automatique, il doit être intégré dans la chaîne de sécurité électrique pour assurer une fonction de réarmement manuel. Pour une protection contre les surintensités, un dispositif de sécurité externe à réarmement manuel doit être utilisé.

■ Notez que les compresseurs Performer® SM/SZ 084-090-100-110-120-161 sont protégés contre les échauffements moteur et surintensités par une protection moteur interne. Néanmoins, un disjoncteur de surcharge à réarmement manuel externe est recommandé pour protéger le circuit contre les surintensités.

Note : La valeur du "seuil de déclenchement" de ces disjoncteurs doit être réglée en fonction du type de compresseur et du type d'alimentation. Elle ne doit en aucun cas excéder la valeur "A max." indiquée sur la plaque signalétique.

■ Le Performer est une machine unidirectionnelle. La compression du réfrigérant n'est assurée que

si l'ordre des phases est respecté. Les compresseurs S084 à S185 incorporent une protection interne contre la rotation inverse. En cas de rotation inverse, arrêter le compresseur et inverser les phases aux bornes de raccordement. Si la rotation inverse n'est pas corrigée, le compresseur coupera en sécurité par la protection interne du moteur. Pour les compresseurs S240 et S300, une fonction de contrôle de l'ordre des phases est incorporée dans le module de protection externe du moteur (voir Figure 9).

- Le raccordement de l'alimentation est effectué sur un bloc de connexion en T (par vis : 4,8 mm - 3/16"). Le raccordement du thermostat nécessite un connecteur de type cosse drapeau (1/4"-AMP-AWE). Pour les connexions à vis, le couple de serrage maximal est de 3 N-m.

- Une vis de terre de 5 mm est prévue dans la boîte à bornes du compresseur pour la mise à la terre. Tous les composants électriques doivent être sélectionnés selon les normes locales en vigueur et selon le type de compresseur.

8 - Charge réfrigérant

- Avant de charger le réfrigérant, vérifiez que le niveau de l'huile est situé entre 1/4 et 3/4 du voyant d'huile (si le compresseur en est équipé) et/ou assurez-vous que la charge en huile du compresseur d'origine est suffisante par rapport à la taille du système et à la configuration de la tuyauterie :

- o Une quantité supplémentaire d'huile peut être nécessaire pour des longueurs de tuyauterie (aller-retour) dépassant 20 m.

- o Dans les cas d'appoint d'huile, utilisez uniquement des lubrifiants autorisés (se reporter à la section "Introduction" de ces instructions).

- o Les compresseurs à voyant d'huile sont recommandés pour les systèmes "Split" ainsi que pour les installations à condenseur à distance. Pour toute information sur les appoints d'huile au compresseur, se référer au bulletin technique TI 1-025.

- Vérifiez que le réfrigérant utilisé pour la charge du système est compatible avec le type de compresseur utilisé. Se reporter à la rubrique "Introduction" de ce manuel pour une liste des réfrigérants autorisés.

- Compresseur à l'arrêt : le réfrigérant liquide est chargé dans le condenseur et/ou le réservoir liquide en phase liquide (obligatoire pour tous les réfrigérants zéotropes). Cette charge doit se rapprocher le plus possible de la charge nominale afin d'éviter un fonctionnement à trop basse pression ainsi qu'une surchauffe excessive à l'aspiration. Pendant l'opération de charge compresseur à l'arrêt, les deux vannes de service du compresseur doivent rester en position fermée.


- La charge réfrigérant en phase vapeur ne peut être effectuée qu'avec des réfrigérants purs, tels que le R22.

- Dans la mesure du possible, la charge réfrigérant doit être inférieure à la charge limite publiée pour le modèle de compresseur utilisé. Si cette charge excède la charge limite, prévoir un

cycle de tirage au vide simple à l'arrêt ou une bouteille anti-coups de liquide à l'aspiration, afin de protéger le compresseur.

- Vérifiez que la charge de réfrigérant est adaptée pour un fonctionnement en hiver comme en été.

9 - Vérification avant démarrage

 Assurez-vous que toutes les vannes de service sont en position ouverte avant le démarrage. Une vanne de refoulement ou d'aspiration fermée pourrait gravement endommager le compresseur et/ou rendre inopérants les dispositifs de sécurité, exposant ainsi le personnel à un risque de blessure.

- Vérifiez que tous les organes de sécurité sont en bon état de marche et bien réglés (point de réglage des pressostats et autres vannes ou soupapes de sécurité, etc.). Veillez à ce que ces dispositifs soient conformes aux réglementations et normes en vigueur tant au niveau général qu'au niveau local (par exemple : norme européenne EN378).


- Le réglage des pressostats haute pression ou des soupapes de sécurité ne doit jamais dépasser la pression de service maximale d'un quelconque composant du système. Se reporter au guide d'application pour les pressions maximum de sécurité du compresseur.

- L'utilisation d'un pressostat de sécurité basse pression est recommandée pour empêcher un fonctionnement sous vide. Réglage minimum recommandé : 1.1 bar (absolu).

- Vérifiez que toutes les connexions électriques sont bien serrées et conformes aux réglementations de sécurité en vigueur au niveau local.

- Lorsqu'une résistance de carter est nécessaire (voir guide d'application), celle-ci doit être mise sous tension au minimum 12 heures avant la première mise en service et/ou lors du démarrage après des périodes d'arrêt prolongées.

10 - Mise en service

 Ne jamais démarrer le compresseur en l'absence d'une charge de réfrigérant dans le circuit (risque de claquage moteur).

- Ne jamais court-circuiter le pressostat BP ou tout autre dispositif de sécurité lors du démarrage.

- Vérifiez la tension d'alimentation et le courant absorbé.

- Contrôlez le niveau d'huile (lorsque le compresseur est équipé d'un voyant) pendant 60 minutes afin de vérifier le bon retour d'huile au compresseur.

- Réglage de la surchauffe d'aspiration : la surchauffe optimale à l'aspiration du compresseur est de l'ordre de 10K, la surchauffe maximum autorisée se situant à 30K.

- Dans tous les cas, les limites d'application du compresseur doivent être respectées. En outre, des valeurs élevées de surchauffe conduisent à


des hautes températures de refoulement et font diminuer la capacité du compresseur. La température maximale de refoulement est de 130°C : le fonctionnement à une température supérieure peut engendrer la décomposition du réfrigérant.

- En régime de fonctionnement établi, contrôlez les vibrations des tuyauteries et tubes capillaires ; des vibrations anormales (déplacement de la tuyauterie supérieur à 1,5 mm) nécessitent des actions correctives telles que des supports de tuyauteries etc.).

- Après une durée de fonctionnement de 2 à 4 heures aux conditions nominales, vérifiez le niveau d'huile et, si nécessaire, réalisez un appoint (voir bulletin technique TI1-025). Si le retour d'huile au compresseur ne s'améliorait pas, des investigations plus approfondies de la configuration des tuyauteries seraient nécessaires.

- Vérifiez que la charge de réfrigérant est suffisante à l'aide du voyant liquide (si le circuit en est équipé) et contrôlez que les températures de fonctionnement correspondent aux spécifications du système.

- Si besoin est, un complément de charge peut être effectué en phase liquide, côté basse pression. Le liquide doit être injecté aussi loin que possible du compresseur en étranglant le débit afin d'éviter tout risque de coup de liquide. Le compresseur doit être en marche pendant ce processus.

 Evitez une charge excessive de réfrigérant dans le système.

11 - Dépannage

- **Problème de démarrage du compresseur :** vérifiez l'alimentation électrique du compresseur et contrôlez les connexions de puissance. Si ces vérifications ne montrent aucune anomalie, testez la continuité des bobinages du moteur avec un ohmmètre (coupure de la protection interne). Note : lorsque la protection interne du moteur se déclenche, plusieurs heures peuvent être nécessaires à son réarmement et au redémarrage du compresseur.

- **Le compresseur ne pompe pas :** contrôlez que les vannes de sécurité du système ne sont pas ouvertes. Vérifiez également que toutes les vannes solénoïdes sont en position normale. Pour les modèles S240 et S300, si la soupape de sécurité interne est ouverte, le carter inférieur du compresseur sera chaud et le compresseur se déclenche sur la protection du moteur. Si cela se produit, le réarmement peut prendre deux à trois heures.

- **Bruit de fonctionnement anormal :** vérifier l'absence de retour de liquide au compresseur en mesurant la surchauffe des gaz d'aspiration et la température de refoulement du compresseur. La température du carter d'huile doit se situer au moins 10K au-dessus de la température d'aspiration saturée en régime de fonctionnement permanent.

- **Le pressostat de sécurité haute pression se déclenche :** contrôlez le condenseur (propreté, fonctionnement du ventilateur, débit d'eau, réglage de la vanne pressostatique, le filtre, etc.). Si ces

vérifications se révèlent négatives, l'origine du problème peut être soit une surcharge de réfrigérant soit la présence d'incondensables dans le circuit (air).

■ **Le pressostat de sécurité basse pression se déclenche** : contrôlez le fonctionnement de l'évaporateur (propreté de la batterie, fonctionnement du ventilateur, débit d'eau, encrassement des filtres, etc.), le débit du réfrigérant liquide et les pertes de charge (vanne solénoïde, filtre déshydrateur, détendeur, etc.), la charge de réfrigérant.

■ **Une charge de réfrigérant trop faible** : l'indication d'une charge de réfrigérant appropriée est donnée par l'état du voyant liquide, le delta T au condenseur par rapport aux tables du réfrigérant (pression-température), la surchauffe et le sous refroidissement, etc. (si un appoint de charge s'avère nécessaire, se reporter au chapitre "Charge réfrigérant").

■ **Fonctionnement en court cycle** : le nombre de cycles de démarrage ne doit jamais dépasser 12 démarrages par heure.

12 - Maintenance

■ Les compresseurs Performer® ne nécessitent pas d'entretien spécifique. Néanmoins, les opérations d'entretien préventif du système ou de l'installation permettent d'éviter des problèmes compresseur dont la cause serait un dysfonctionnement du système. Les vérifications suivantes de maintenance préventive périodique sont vivement conseillées :

o Contrôler les conditions de fonctionnement (température d'évaporation, température de condensation, température de refoulement, différence de température sur les échangeurs de chaleur, surchauffe, sous refroidissement). Ces paramètres de fonctionnement doivent toujours se situer dans la plage d'utilisation du compresseur.

o Vérifiez que les dispositifs de sécurité sont tous opérationnels et correctement réglés.

o Contrôlez le niveau d'huile et son aspect. En cas de changement de couleur, vérifiez sa qualité. Ceci peut inclure un test d'acidité, un contrôle d'humidité, une analyse spectrométrique, etc.

o Vérifiez l'étanchéité du circuit frigorifique.

o Vérifiez le fonctionnement des échangeurs de chaleur et procédez à leur nettoyage, si nécessaire.

o Contrôlez le courant absorbé par le moteur du compresseur ainsi que l'équilibre de tension entre phases.

o Contrôlez le serrage de toutes les connexions électriques.

o Assurez-vous de la propreté et du bon état de marche du compresseur ; vérifiez l'absence de rouille sur son enveloppe et l'absence de corrosion ou d'oxydation sur les connexions électriques et les tuyauteries.

o Assurez-vous que la charge de réfrigérant est adaptée à un fonctionnement toute saison, été comme hiver.

■ Vérifiez que les inspections périodiques exigées par les réglementations locales ont été effectuées.

13 - Remplacement

⚠ S'assurer de l'absence de réfrigérant sous pression dans le circuit lors de la dépose du compresseur, de la découpe de tuyauteries ou autres travaux de perçage ou de démontage d'organes sous pression.

⚠ Ne pas libérer le réfrigérant de l'installation à l'atmosphère. Utiliser des techniques et du matériel de récupération approuvés pour un stockage respectant la législation en vigueur.

⚠ La présence de vapeur de réfrigérant dans un local peut entraîner l'asphyxie. Une ventilation suffisante est obligatoire lors de toute intervention sur le système.

⚠ Tout changement de composant du système de réfrigération doit être effectué selon les réglementations locales en vigueur.

■ Assurez-vous que l'alimentation électrique a été coupée.

■ Avant remplacement, déterminez la cause de la panne et effectuez les réparations nécessaires. Si cette analyse et ces réparations ne sont pas réalisées, des pannes répétitives peuvent se produire. Notez qu'un test d'acidité d'huile s'avère toujours utile en tant que diagnostic lors d'un remplacement de compresseur.

■ Vérifiez que le compresseur Performer® de remplacement et le compresseur à remplacer sur le site présentent les mêmes caractéristiques électriques et de puissance frigorifique.

■ Utilisez les silent blocs et les joints fournis avec le nouveau compresseur.

■ Lorsque la tuyauterie doit être modifiée, veuillez vous reporter au chapitre "Mesures de sécurité avant montage".

■ Pour de plus amples renseignements concernant les procédures de remplacement, se reporter aux chapitres précédents.

Note : En cas de panne moteur, vidangez et nettoyez le circuit avant remplacement du compresseur afin d'éliminer les acides et tout autre contaminant. D'une manière systématique, installez un nouveau filtre déshydrateur de ligne liquide. Au préalable (si nécessaire), faire fonctionner le système au minimum 2 heures avec des cartouches de filtre anti-acide (dans les cas de contamination sévère, l'utilisation de filtre d'aspiration peut également s'avérer nécessaire). Après un fonctionnement d'environ 2 semaines, vérifiez le niveau d'acidité de l'huile. Si ce test est positif, vidangez et remplacez l'huile, remplacez également les cartouches du filtre déshydrateur par des cartouches anti-acide ainsi que les cartouches du filtre d'aspiration installé précédemment. Répétez ces remplacements d'huile et cartouches de filtre jusqu'à ce que le système soit propre et exempt de tout acide. Quand il n'y a plus aucune trace d'acide, remplacez les cartouches anti-acides par le modèle standard et retirez la cartouche du filtre d'aspiration.

14 - Conseils aux utilisateurs

Veillez à ce que toutes les opérations de service et de maintenance soient effectuées par du personnel qualifié.

⚠ Les températures des surfaces du compresseur et des tuyauteries peuvent, dans certains cas, dépasser 100°C (212°F) et provoquer des brûlures corporelles. Une prudence particulière s'impose donc lors des travaux sur le compresseur et ses tuyauteries. D'autre part, lorsque le compresseur est en fonctionnement les températures de ces surfaces peuvent également être extrêmement froides (jusqu'à -25°C / -13°F), pouvant entraîner des risques de gelures.

⚠ La pression interne du compresseur peut atteindre des niveaux dangereusement élevés (par exemple : dysfonctionnement, incendie) pouvant occasionner des blessures au personnel en cas de dégagement soudain de pression ; en conséquence, ne jamais percer, souder ou couper l'enveloppe du compresseur et ses tuyauteries (le dégagement de réfrigérant liquide peut entraîner sur une peau découverte des gelures instantanées).

La garantie du produit peut être invalidée dans les circonstances suivantes :

■ modifications externes du compresseur (absence de plaque signalétique, perçage, soudure, pieds de montage cassés, traces de chocs),

■ compresseur découpé par l'utilisateur ou retourné ouvert au constructeur (c'est-à-dire avec les raccords de refoulement ou d'aspiration non obturés),

■ présence de rouille ou d'eau à l'intérieur du compresseur,

■ adjonction de fluide de détection des fuites dans le lubrifiant,

■ utilisation d'un réfrigérant ou d'un lubrifiant non-approuvé par Danfoss Maneurop,

■ non-observation des instructions spécifiques d'installation, d'application ou de maintenance,

■ utilisation du compresseur pour des applications mobiles (bateaux, trains, camions, etc.) ou en atmosphères déflagrantes (la boîte à bornes n'est pas anti-déflagrante).

La date de la fabrication du compresseur est indiquée sur la plaque signalétique. Les informations relatives au modèle et au numéro de série doivent toujours être fournies pour toute réclamation concernant ce produit.

S084 to 185

S240. 300

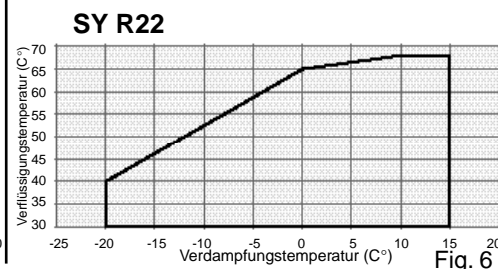
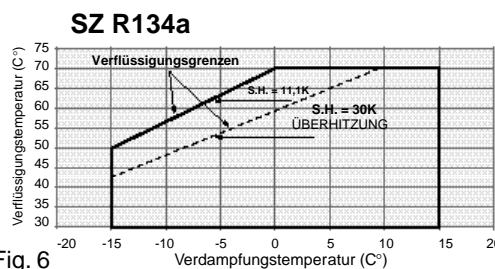
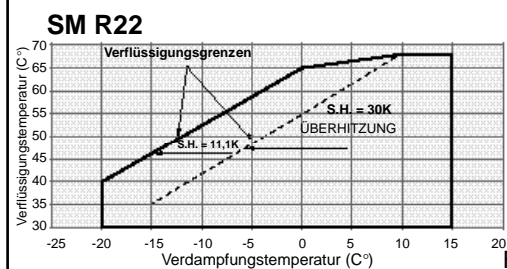
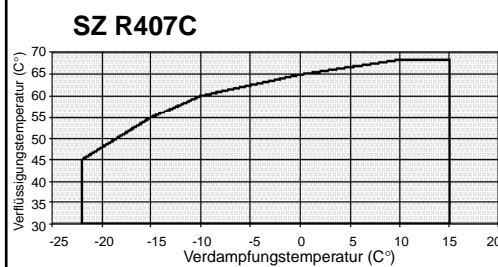
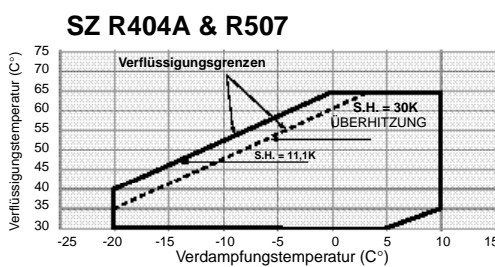
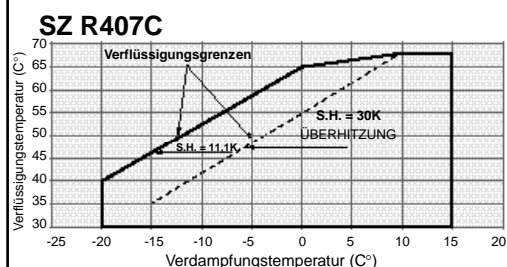


Fig. 6

Fig. 6

S084. 090. 100. 110. 120. 161

S115. 125. 160. 175. 185.

S240. 300

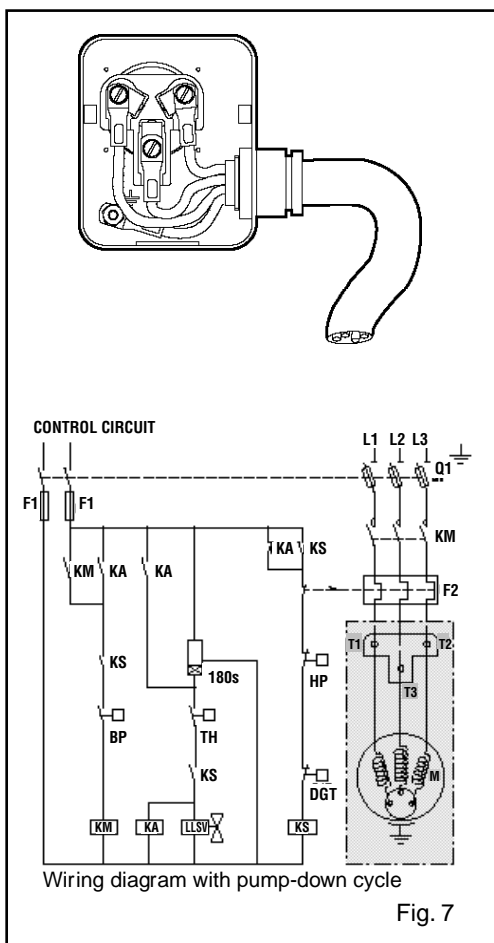


Fig. 7

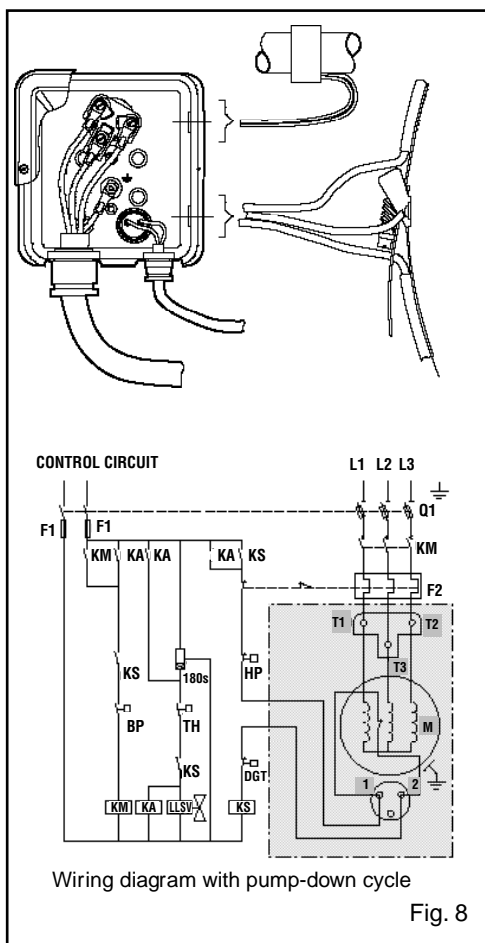


Fig. 8

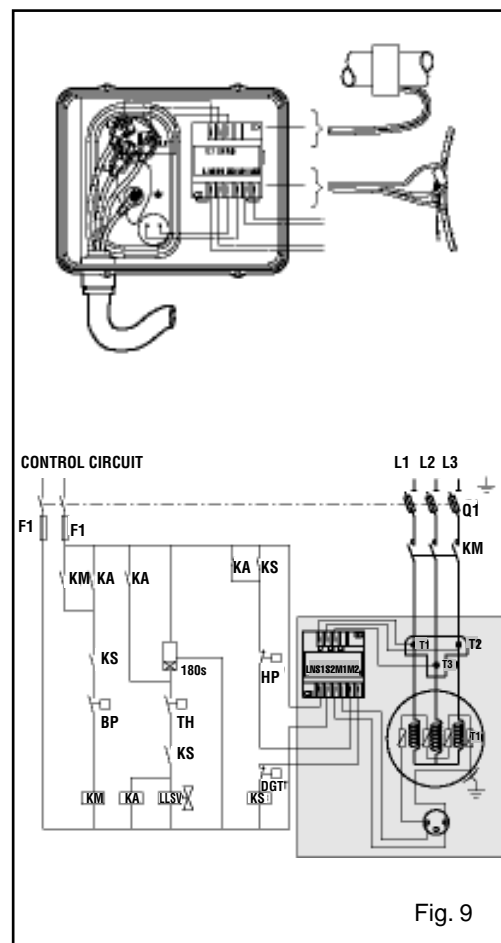


Fig. 9

Inhalt

- 1 - Einleitung
- 2 - Transport, Lagerung
- 3 - Sicherheitsmaßnahmen vor dem Einbau
- 4 - Zusammenbau
- 5 - Feststellen von Leckagen
- 6 - Evakuierung – Trocknung
- 7 - Elektrische Anschlüsse
- 8 - Befüllen der Anlage
- 9 - Überprüfung vor der Abnahme
- 10 - Inbetriebnahme
- 11 - Fehlerbehebung
- 12 - Wartung
- 13 - Austausch
- 14 - Nutzungsanweisungen

1 – Einleitung

Diese vorliegende Instruktion behandelt Performer® hermetische Scrollverdichter für den Einsatz in Klima- und Kühlanlagen. Sie soll dazu dienen, die für Sicherheit und ordnungsgemäße Handhabung dieses Produkts erforderlichen Informationen bereitzustellen.

Bitte beachten, dass das vorliegende Dokument als generelle Information für die gesamte Baureihe von Scrollverdichtern anzusehen ist; spezielle Details gelten daher für ein bestimmtes von Ihnen erworbenes Modell möglicherweise nicht. Bitte halten Sie Ihr Handbuch und alle relevanten Informationen für zukünftigen Gebrauch griffbereit.

■ Gerätebeschreibung: Dieser Verdichter wird mit einem kompletten Satz Zubehör für den Einbau (Gummipuffer und Schrauben + Unterlegscheiben, Rotolockverschraubung abhängig vom Modell), einem Anschlusskasten und Deckel sowie einer Instruktion geliefert.

- Liste der zugelassenen Kältemittel:
 - o Die SM/SY-Baureihe kann mit R22 betrieben werden.
 - o Die SZ 084 bis 185-Baureihe kann mit R134a, R407C, R404A und R507A betrieben werden.
 - o Die SZ 240 und 300 kann mit R407C betrieben werden.

■ Die Verdichter werden vor der Auslieferung im Werk mit Schmiermittel befüllt:

- o Die SM-Baureihe mit Mineralöl (Ref. 160P).
- o Die SZ-Baureihe mit Polyolesteröl (Ref. 160SZ).
- o Die SY-Baureihe mit Polyolesteröl (Ref. 320SZ).

Diese Schmiermittel dürfen nicht miteinander gemischt werden.

■ Performer® Scrollverdichter dürfen nur für ihre(n) vorgesehenen Verwendungszweck(e) und innerhalb ihres Anwendungsbereichs zum Einsatz kommen (siehe Abb. 6).

⚠ Die Verdichter werden mit unter Druck gesetztem Stickstoffgas (zwischen 0,3 und 1 bar) geliefert und können daher nicht unmittelbar angeschlossen werden. Siehe bitte Abschnitt "Zusammenbau" für weitere Angaben.

⚠ Die Verdichter sind nicht für den mobilen Einsatz und für den Einsatz in explosionsgeschützten Anwendungen zugelassen. Jedwede Anwendung von entflammaren Kältemitteln (z.B. Kohlenwasserstoffe) oder Luft ist daher strengstens verboten.

■ Unter allen Umständen müssen die Anforderungen der EN378 (oder eine andere

zutreffende lokale Norm) erfüllt werden. Inbetriebnahme oder Wartungsarbeiten an diesem Verdichter darf nur von qualifiziertem Personal vorgenommen werden.

⚠ Sind Druckprüfungen der Anlage erforderlich, müssen diese von dazu qualifiziertem Personal vorgenommen werden, welche Kenntnis über die druckabhängigen Gefahren haben und die am Verdichtertypenschild oder in den Anwendungsrichtlinien angegebenen Druckgrenzen sorgfältig beachten.

Modifikationen oder Änderungen (wie Hartlöten auf dem Gehäuse), die nicht ausdrücklich von Danfoss Maneurop genehmigt sind, können eine Verletzung der Zulassungsbedingungen zum Betrieb des Geräts bilden. In Übereinstimmung mit der europäischen Verordnung 97/23/EC (PED) nennt das Typenschild des Verdichters den höchsten zulässigen Druck auf der Niederdruckseite (Ps) als auch die entsprechende Höchsttemperatur Ts, welche für die betreffenden Kältemittel berechnet wurden.

2 - Transport, Lagerung

■ Der Verdichter darf nur in vertikaler Position (maximale Neigung von der Vertikalen : 15°) gehandhabt werden. Gerät der Verdichter in Position mit dem Kopf nach unten, kann seine Funktionalität nicht gewährleisten werden.

■ Bitte beachten, dass alle Handhabungen des Verdichters mit äußerster Sorgfalt erfolgen sollen, um Stöße zu vermeiden. Für alle erforderlichen Beförderungen des Verdichters sind die dafür vorgesehenen Transportgriffe zu benutzen; darüber hinaus sind für die Handhabung und beim Auspacken geeignete und sichere Hebwerkzeuge einzusetzen (Siehe Abb. 3).

■ Beschädigungen, die beim Warenempfang entweder auf der Verpackung oder dem Produkt selbst erkenntlich sind, müssen mit schriftlicher Kundenreklamation beim Transportunternehmen angezeigt werden. Die gleiche Empfehlung gilt für alle Fälle, in denen die Transportanweisungen nicht vollständig eingehalten wurden.

■ Bitte vor der Aufbewahrung die auf dem Verpackungskarton aufgedruckten Sicherheitsanweisungen beachten.

■ Es ist dafür zu sorgen, dass der Verdichter nicht bei Umgebungstemperaturen unter -35°C (-31°F) oder über 50°C (122°F) aufbewahrt wird. Der Verdichter muss sich in einer belüfteten Umgebung befinden, um sicherzustellen, dass die Umgebungstemperatur den auf dem Typenschild spezifizierten Grenzwert im Stillstand niemals übersteigt. (abhängig vom verwendeten Kältemittel entweder Ps oder Ts, je nachdem welcher Grenzwert zuerst erreicht wird).

■ Es ist dafür zu sorgen, dass der Verdichter und seine Verpackung nicht Regen und/oder korrosiver, entflammbarer Atmosphäre ausgesetzt wird.

3 - Sicherheitsmaßnahmen vor dem Einbau

■ Alle Installationen und Wartungsarbeiten sind von qualifiziertem Personal in Übereinstimmung mit allen einschlägigen Praktiken und Sicherheitsverfahren vorzunehmen.

■ Der Verdichter muss an einem belüfteten Platz angebracht werden, um sicherzustellen, dass die Umgebungstemperatur während der Stillstandsperiode zu keinem Zeitpunkt 50°C (122°F) übersteigt.

■ Es ist dafür zu sorgen, dass der Verdichter auf einer waagerechten Ebene mit einer maximalen Neigung von 3° montiert werden kann.

■ Es ist zu kontrollieren, dass das Verdichtermotormodell mit den Anlagenspezifikationen (Leistung, Kältemittelanwendung, etc.) übereinstimmt.

■ Es ist dafür zu sorgen, dass die Stromversorgung den Kennwerten des Verdichtermotors entspricht (siehe genaue Angaben auf dem Typenschild).

■ Es ist dafür zu sorgen, dass die Kältemittelfüllausrüstung, Vakuumpumpen etc. für HFKW-Kältemittel ausschließlich für diese Kältemittel eingesetzt wurden und zu keinem Zeitpunkt für andere FCKW-/HFCKW-Kältemittel benutzt wurden.

■ Ausschließlich saubere und trockene, für Kälteanlagen geeignete Kupferrohre sowie silberlegiertes Hartlötmaterial verwenden.

■ Es ist zu kontrollieren, dass alle Anlagenkomponenten zweckentsprechend (Kältemittelanwendung etc.), sauber und trocken sind, bevor sie komplett zusammengebaut werden.

■ Die Saugleitungen sind zu kontrollieren: Horizontale Abschnitte müssen zum Verdichter geneigt sein. Die Sauggasgeschwindigkeit muss hoch genug sein, um eine ausreichende Ölrückfuhr zu gewährleisten. Diese Geschwindigkeit muss in vertikalen Steigleitungen zwischen 8 bis 12 m/s liegen. In horizontalen Leitungen darf die Geschwindigkeit auf 4 m/s abfallen. Der Einsatz von Ölheb- und Ölüberbogen sowie doppelten Steigleitungen kann bei vertikalen Abschnitten erforderlich sein, darf jedoch 4 m nicht überschreiten, außer es wurde ein zweites Ölhebesystem eingebaut (siehe Abb. 4). Die Saugleitung ist zu dämmen, um Überhitzungswirkungen zu minimieren.

■ Die Druckgasleitungen sind zu kontrollieren: Bei der Leitung zum Verflüssiger darf ein Rückfluss von Flüssigkeit zum Verdichter nicht möglich sein. Der Einsatz eines Rückschlagventils kann sich, abhängig von der Platzierung des Verdichters gegenüber dem Verflüssiger, als notwendig erweisen. Ein entsprechend ausgelegtes Ölhebesystem kann sich ebenfalls als notwendig erweisen, falls der Verflüssiger über dem Verdichter platziert ist (siehe Abb. 5).

■ Die an den Verdichter angeschlossenen Leitungen müssen, um Schwingungen zu dämpfen, in allen drei Richtungen flexibel sein und so montiert werden, dass ein Einschließen und ein Rückfluss von freiem flüssigen Kältemittel in das Kurbelgehäuse des Verdichters und in das Druckzylinderköpfe verhindert wird (siehe Abb. 5).

■ Bitte beachten, dass alle lokalen und regionalen Regelungen und Sicherheitsnormen wie EN378 bei der Konstruktion, dem Anschluss und dem Betrieb der Anlage zu berücksichtigen sind.

4 – Zusammenbau

⚠ Der Zeitraum, in dem der Verdichter während der Installation der Atmosphäre ausgesetzt wird, ist auf ein Mindestmaß zu beschränken. Der Anschluss des Verdichters muss möglichst rasch erfolgen, um eine Verunreinigung des Schmiermittels durch Feuchtigkeit zu vermeiden.

■ Die Gummipuffer müssen unter den Verdichter-

füßen montiert werden, wie in Abb. 1 und 2 dargestellt. Die Gummipuffer sind zusammenzupressen, bis die flache Unterlegscheibe und die Stahlbuchse sich fest berühren.

⚠ Vor dem Öffnen der Verdichteranschlusstutzen ist zum langsamen Ablassen der Stickstofffüllung unbedingt ein 1/4"-Schlauch an das auf dem Verdichtergehäuse befindliche Schraderventil anzuschließen.

■ Es ist dafür zu sorgen, dass beim Ablängen der Verrohrung kein Material in die Anlage eindringt. Außerdem dürfen nach der Installation keinesfalls Löcher in die Rohrleitung gebohrt werden.

■ Ist der Anschluss zusätzlicher Komponenten am Schauglas oder Ölausgleichsanschluss erforderlich, empfiehlt es sich, diese Schritte vor dem endgültigen Zusammenbau vorzunehmen, solange sich der Verdichter neigen und bewegen lässt.

■ Bördelanschlüsse sind zu vermeiden, und beim Hartlöten ist große Sorgfalt walten zu lassen (nur moderne Verfahren benutzen); ein Stickstoffgasstrom ist anzuwenden, um Zunder im Inneren der Rohre zu vermeiden, insbesondere wenn HFKW-Kältemittel zum Einsatz kommen. Das Lötmaterial muss mindestens 5% Silber enthalten.

■ Beim Hartlöten sind der Anschlusskasten und die lackierten Oberflächen des Verdichters vor Hitzeschäden zu schützen.

■ Beim Verlöten des Rotolock-Anschlusses mit der Lötbuchse ist die Teflondichtung zu entfernen und darauf zu achten, dass die ursprünglichen Saug- und Ausgangsdichtungen ersetzt werden müssen.

■ Bei der Installation von Rotolock-Anschlüssen sind beim Festspannen eines Fittings immer zwei Schraubenschlüssel zu benutzen, um ein Überführen des Moments auf die anschließenden Rohre und Fittings wirksam zu vermeiden. Die maximalen Anzugsmomente für Rotolock-Anschlüsse am Verdichter dürfen nicht überschritten werden: (1" Rotolock 80 Nm - 1 1/4" Rotolock 90 Nm - 1 3/4" Rotolock 110 Nm - 2 1/4" Rotolock 130 Nm)

■ Es ist dafür zu sorgen, dass die erforderlichen Sicherheits- und Überwachungseinrichtungen an die Absperrventile oder Fittings des Verdichters angeschlossen werden.

■ Falls die Ölrückführung durch das Schraderventil am Verdichtergehäuse erfolgt, ist der innere Ventileinsatz zu entfernen.

5 – Feststellen von Leckagen

⚠ Zur Vermeidung von Feuer- oder Explosionsgefahr niemals Sauerstoff oder trockene Luft benutzen.

■ Der Lecktest ist für die gesamte Anlage wie folgt vorzunehmen: Ein trockener Stickstoff-Drucktest, ein Helium-Lecktest und/oder ein Tiefvakuumtest.

■ Der Test soll lang genug dauern, um auch kleinste Leckagen in der Anlage sicher ausschließen zu können.

■ Für die Lecksuche geeignete Spezialwerkzeuge sind anzuwenden.

■ Der Testdruck auf der Niederdruckseite darf 25 bar niemals übersteigen.

■ Die Empfehlungen für die Hochdruckseite sind den Anwendungsrichtlinien zu entnehmen.

■ Ist der Verdichter mit Absperrventilen für Saug- und Druckseite ausgerüstet, sind diese Ventile während der Durchführung des Lecktests geschlossen zu halten (der Verdichterlecktest wurde bereits im Herstellungswerk durchgeführt).

■ Beim Auftreten einer Leckage ist die Reparatur vorzunehmen und der Lecktest zu wiederholen.

■ Bei Wahl eines Tiefvakuumtests ist folgendes zu beachten:

- 1) Das zu erreichende Niveau beträgt 500 mHg.
- 2) 30 Minuten warten.
- 3) Steigt der Druck plötzlich an, ist die Anlage nicht luftdicht. Die Leckagen sind zu orten und zu reparieren. Das Vakuumverfahren ist erneut durchzuführen, gefolgt von den Schritten 1, 2, etc.
- 4) Steigt der Druck langsam an, ist in der Anlage Feuchtigkeit enthalten. Das Vakuum ist mit Stickstoffgas zu brechen und das Vakuumverfahren erneut durchzuführen, gefolgt von den Schritten 1, 2, etc.
- 5) Den Verdichter durch Öffnen der Ventile mit der Anlage verbinden.
- 6) Das Vakuumverfahren erneut durchführen, gefolgt von den Schritten 1, 2, etc.
- 7) Das Vakuum mit Stickstoff brechen.
- 8) Das Vakuumverfahren, Schritte 1 und 2, wiederholen; ein Vakuum von 500 mHg (0,67 mbar) muss erzielt und 4 Stunden lang gehalten werden. Dieser Druck ist in der Kälteanlage, und nicht am Manometer der Vakuumpumpe zu messen.

⚠ Steht der Verdichter unter Vakuum, darf kein Multimesegerät benutzt oder der Verdichter unter Spannung gesetzt werden, da dies Schäden an der Motorwicklung verursachen könnte (Durchbrennen des Motors).

⚠ Keine gefärbten Lecksuchmittel verwenden. Keine Chlorfluorkohlenwasserstoffe bei Tests in für HFKW-Kältemittel ausgelegten Anlagen benutzen.

6 – Evakuierung – Trocknung

So weit möglich (falls Absperrventile vorhanden sind) ist der Verdichter von der Anlage zu trennen. Es ist unerlässlich, dass die Vakuumpumpe sowohl an die Niederdruck- als auch an die Hochdruckseite angeschlossen ist, um eingeschlossene Anlagenteile zu vermeiden.

Empfohlene Vorgehensweise:

- 1) Nach Abschluss der Lecksuche,
- 2) ist die Anlage auf ein Vakuum von 500 mHg (0,67 mbar) zu senken.
- 3) Sobald das Vakuum 500 mHg (0,67 mbar) erreicht, ist die Anlage von der Pumpe zu trennen. Ein Vakuum von 500 mHg (0,67 mbar) ist zu erreichen und 4 Stunden lang zu halten. Dieser Druck ist in der Kälteanlage und nicht am Manometer der Vakuumpumpe zu messen. Steigt der Druck an, ist das Lecksuchverfahren erneut vorzunehmen (falls erforderlich siehe Abschnitt "Feststellen von Leckagen" in diesem Handbuch).

Vakuumpumpe:

Eine zweistufige Vakuumpumpe mit Gasballast (0,04 mbar stehendes Vakuum) ist zu verwenden, deren Leistung mit dem Anlagenvolumen übereinstimmen soll. Keinesfalls den Verdichter als Vakuumpumpe einsetzen. Es wird empfohlen, großzügig bemessene Anschlussleitungen zu benutzen und diese besser mit den Absperrventilen statt mit dem

Schrader-Anschluss zu verbinden. Bei dieser Maßnahme werden übermäßige Druckverluste vermieden.

Feuchtigkeitsgehalt:

Zum Zeitpunkt der Abnahme darf der Feuchtigkeitsgehalt bis zu 100 ppm betragen. Während des Betriebs muss der in die Flüssigkeitsleitung eingebaute Filtertrockner diesen Anteil auf <20 ppm herabsetzen.

Zusatzbemerkungen:

■ Um das Entfernen der Feuchtigkeit zu erleichtern, sollte die Anlagentemperatur nicht weniger als 10°C betragen.

■ Bei HFKW- und Polyolester-Schmiermittel ist ein sorgfältiges Vakuumverfahren sogar noch wichtiger als bei H-FCKW (R22) oder FCKW und Mineralöl "herkömmlich" ist.

■ Für weitere Informationen siehe bitte TI 1-026.

⚠ Steht der Verdichter unter Vakuum, darf kein Multimesegerät benutzt oder der Verdichter unter Spannung gesetzt werden, da dies Schäden an der Motorwicklung verursachen könnte (Durchbrennen des Motors).

7 - Elektrische Anschlüsse

■ Es ist zu gewährleisten, dass die Stromversorgung zur Anlage ausgeschaltet ist und den einschlägigen Vorschriften entsprechend gesichert wurde, bevor die elektrischen Anschlüsse vorgenommen werden können.

■ Bezüglich der Einzelheiten zum Anschluss des Verdichters und den betreffenden verschiedenen Motorbezeichnungen siehe Abb. 7, 8 und 9.

■ Bitte beachten, dass die Performer® Verdichter SM/SZ 115 -125 - 160 - 175 - 185 mit einem Bimetall-Thermostat mit 1-poligem Unterbrecherkontakt ausgerüstet sind, der in der Motorwicklung angebracht ist. Da der Thermostat selbstrückstellend ist, muss er mit einem Sicherheitsperkreis mit manueller Rückstellung zum Wiederanlauf gekoppelt werden (siehe Abb. 8).

Als Überstromschutz muss ein externes Schutzrelais mit manueller Rückstellung vorgesehen werden.

■ Bitte beachten, dass die Performer® Verdichter SM/SZ 084 -090 - 100 - 110 - 120 - 161 durch einen eingebauten Motorschutzschalter vor Über-temperatur und Überlast geschützt sind. Es empfiehlt sich jedoch, einen externen Überlastschutz mit manueller Rückstellung als Überstromschutz des Kreises vorzusehen (Siehe Abb. 7). S240 und S300 Motoren sind von einem externen Motorschutzmodul vor Phasenverlust/Drehrichtungsumkehr, Überhitzung und Überstrom geschützt (Siehe Abb. 9).

■ Der "Auslösewert" dieses Überlastrelais muss in Übereinstimmung mit den Stromversorgungsdaten bemessen sein, darf jedoch nicht den am Typenschild angegebenen Wert "A max." übersteigen.

■ Performer® Verdichter können in beiden Drehrichtungen betrieben werden und sind nur bei ordnungsgemäßem Anschluss in der Lage, Kältemittel zu pumpen. In die Verdichter S084 bis S185 ist, um einer Beschädigung des Verdichters vorzubeugen, ein Drehrichtungsumkehrschutz eingebaut. Beim Auftreten von Drehrichtungsumkehr den Verdichter abschalten, und die Phasen an die korrekten Klemmen

anschließen. Tritt weiterhin Drehrichtungsumkehr auf, wird der Verdichter durch den eingebauten Motorschutz abgeschaltet. Bei den Verdichtern S240 und S300 ist die Phasensequenzsteuerungsfunktion im externen Motorschutzmodul eingebaut (siehe Abb. 9).

■ Der Anschluss der Stromversorgung erfolgt mittels T-Block-Anschluss (schraubbare Ausführung 4,8 mm - 3/16"), und der Thermostatanschluss mittels Flachstecker (1/4"-AMP-AWE).

Für schraubbare Anschlüsse beträgt das Anzugsmoment max. 3 Nm.

■ Eine 5 mm Erdungsschraube ist im Anschlusskasten des Verdichters zum Anschluss des Erdverbinders vorgesehen. Sämtliche elektrischen Komponenten sind gemäß den lokalen Standards und entsprechend den Verdichteranforderungen auszuwählen.

8 - Befüllen der Anlage

■ Vor dem Befüllen mit Kältemittel ist dafür zu sorgen, dass der Ölstand im Verdichterölschauglas zwischen 1/4" und 3/4" des Verdichterölschauglases beträgt (falls montiert) und/oder die ursprüngliche Ölfüllung des Verdichters für die Größe der Anlage und die ausgelegte Verrohrung ausreicht.

o Eine zusätzliche Ölmenge kann sich bei Rohrlängen (vor und zurück) von über 20 m als erforderlich erweisen.

o Falls Öl zusätzlich erforderlich ist, nur ein zugelassenes Schmiermittel verwenden (siehe Abschnitt "Einleitung" zu Beginn dieses Handbuchs).

o Für geteilte Anlagen und abseits gelegene Verflüssigerinstallationen empfiehlt sich ein Verdichtermodell mit Ölschauglas. Für die erforderlichen Informationen bezüglich zusätzlichem Befüllen des Verdichters mit Öl siehe TI 1-025.

■ Bitte beachten, dass das in die Anlage einzufüllende Kältemittel für den entsprechenden Verdichter freigegeben ist. Siehe Abschnitt "Einleitung" zu Beginn dieses Handbuchs für eine Liste der zugelassenen Kältemittel.

■ Verdichter ist ausgeschaltet: Das flüssige Kältemittel wird in den Verflüssiger und/oder in den Flüssigkeitssammler in der Flüssigphase (obligatorisch für Kältemittelmischungen) gefüllt. Die Füllung muss möglichst genau der nominalen Systemfüllung entsprechen, um sowohl Niederdruckbetrieb als auch zu starke Überhitzung beim Start zu verhindern. Während dieses Vorgangs sind beide Verdichterserviceventile geschlossen zu halten.

■ Bitte beachten, dass Dampfbefüllung nur für reine Kältemittel, wie R22, brauchbar ist.

■ So weit möglich ist die Kältemittelbefüllung unter der Kältemittelbefüllungsgrenze des betreffenden Verdichtermodells zu halten. Oberhalb dieser Grenze ist in der Anlage ein Pump-down-Kreis oder Flüssigkeitsabscheider zu installieren, um den Rückfluss von Flüssigkeit in den Verdichter zu vermeiden.

■ Es ist dafür zu sorgen, dass die Kältemittelbefüllung sowohl für Winter- als auch Sommerbetrieb geeignet ist.

9 - Überprüfung vor der Abnahme

⚠ Vor dem Start sind alle Serviceventile zu öffnen. Ein geschlossenes Druck- oder Saugservice-

ventil kann zu ernsthaften Schäden am Verdichter führen und/oder die Betriebsfähigkeit von Sicherheitseinrichtungen beeinträchtigen, was zu Verletzungen von Personen führen kann.

■ Es ist zu prüfen, dass sämtliche Sicherheitseinrichtungen betriebsfähig und korrekt eingestellt sind (Sollwerteneinstellung des Sicherheitsdruckschalters, mechanisches Druckentlastungsventil falls erforderlich, etc.). Es ist sicherzustellen, dass diese Einrichtungen sowohl den allgemeinen als auch den lokal anwendbaren Vorschriften und Standards entsprechen (z.B. EN378).

■ Beim Einsatz von Hochdruckschaltern oder mechanischen Druckentlastungsventilen darf die Einstellung der maximalen Betriebsüberdruck keiner Anlagenkomponente übersteigen. Siehe Anwendungsrichtlinien bezüglich der betreffenden maximalen Betriebsüberdrücke für den jeweiligen Verdichter.

■ Ein Niederdruckschalter wird empfohlen, um Betrieb unter Vakuum vorzubeugen. Eine Mindesteinstellung von 1,2 bar (absolut) ist vorzusehen.

■ Es ist dafür zu sorgen, dass alle elektrischen Anschlüsse ordnungsgemäß verbunden sind und den lokalen Sicherheitsvorschriften entsprechen.

■ Falls eine Kurbelwellenheizung benötigt wird (siehe Anwendungsrichtlinien), ist dafür zu sorgen, dass sie mindestens 12 Stunden vor der ersten Inbetriebnahme und/oder nach längeren Stillstandsperioden eingeschaltet wird.

10 - Inbetriebnahme

⚠ Keinesfalls den Verdichter ohne Kältemittelbefüllung starten.

■ Weder der Niederdruck- noch irgend ein anderer Sicherheitsschalter dürfen während des Starts überbrückt werden.

■ Stromaufnahme und Spannungsgrößen sind zu überprüfen.

■ Das Ölschauglas (falls montiert) ist 60 Minuten lang zu beobachten, um einen sicheren Ölrückfluss zum Verdichter feststellen zu können.

■ Saugüberhitzungseinstellung: Die optimale Saugüberhitzung des Verdichters liegt rund um 10 K und die maximale zulässige Überhitzung bei 30 K.

■ In allen Fällen sind die Anwendungsgrenzen des Verdichters einzuhalten; darüber hinaus führen hohe Überhitzungswerte zu hohen Druckgastemperaturen und reduzierter Verdichterleistung. Die maximale Druckgastemperatur ist 130°C; Betrieb bei höheren Temperaturen kann zu einer Zersetzung des Kältemittels führen.

■ Kältemittelrohre oder Kapillarrohre sind bei stabilen Betriebsbedingungen auf abnormale Schwingungen hin zu untersuchen (bei Kälteleitungsbewegungen von über 1,5 mm sind Korrekturmaßnahmen, Rohrbefestigungen, etc. erforderlich).

■ Nach 2 bis 4 Stunden Betrieb unter feststehenden Bedingungen, ist der Ölstand zu prüfen und falls erforderlich Öl nachzufüllen (siehe TI 1-025). Bleibt die Ölrückfuhr weiterhin unzureichend, ist eine Änderung der Rohrleitungsstruktur erforderlich.

■ Es ist dafür zu sorgen, dass der Kältemittelfluss durch das Schauglas in der Flüssigkeitsleitung (falls montiert) ausreicht, und die Betriebstemperaturen mit der Anlagespezifikation übereinstimmen.

■ Falls erforderlich ist Kältemittel in der Flüssigkeitsphase nachzufüllen, wobei das Kältemittel auf der Niederdruckseite und so weit weg vom Verdichter wie möglich sorgfältig zu drosseln ist. Der Verdichter muss während dieses Vorgangs in Betrieb sein.

⚠ Die Anlage nicht überfüllen.

11 - Fehlerbehebung

■ **Verdichter läuft nicht an:** Es ist zu kontrollieren, ob der Verdichter an die Stromversorgung angeschlossen ist; die Leitungsanschlüsse sind zu überprüfen. Lassen sich mit diesen Nachprüfungen keine Unregelmäßigkeiten feststellen, sind die Motorwicklungen mit einem Ohmmeter zu messen.

Anmerkung: Falls der interne Motorschutzschalter ausgelöst hat (SM/SZ 084 – 090 – 100 – 110 – 120 – 161), kann es bis zu mehreren Stunden dauern, bis sich der Motor zurückstellt und erneut starten lässt.

■ **Verdichter baut keinen Druck auf:** Es ist zu kontrollieren, dass alle in der Anlage befindlichen Bypassventile geschlossen sind. Es ist ebenfalls zu kontrollieren, dass sämtliche Magnetventile sich in ordnungsgemäßer Stellung befinden. Ist das interne Überstromventil bei den Modellen S240 und S300 offen, steigt die Temperatur im Kurbelgehäuse des Verdichters an, was zu einem Auslösen des Motorschutzschalters führt. Tritt dieser Fall ein, kann es 2 bis 3 Stunden dauern, bevor eine automatische Rückstellung und ein Wiederanlauf des Verdichters erfolgt.

■ **Ungewöhnliche Betriebsgeräusche:** Es ist mittels Messung der Sauggasüberhitzung und der Temperatur im Kurbelgehäuseboden sicherzustellen, dass kein Flüssigkeitsrückfluss in den Verdichter erfolgt. Die Temperatur im Kurbelgehäuseboden muss bei stabilen Betriebsverhältnissen mindestens 10 K über der gesättigten Saugtemperatur liegen.

■ **Der Hochdruckschalter löst aus:** Der Verflüssigerbetrieb ist zu kontrollieren (Sauberkeit des Verflüssigers, Lüfterfunktion, Wasserfluss, Druckventil, Wasserfilter, etc.). Führt diese Prüfung zu keinem Ergebnis, kann die Störung entweder durch zu große Kältemittelbefüllung oder dem Vorhandensein von nicht verflüssigbaren Fremdgasen (z.B. Luft) im Kreis verursacht sein.

■ **Der Niederdruckschalter löst aus:** Der Verdampferbetrieb (Sauberkeit des Verdampfers, Lüfterfunktion, Wasserfluss, Wasserfilter, etc.), der Kältemittelmassenstrom und Druckabfälle (Magnetventil, Filtertrockner, Expansionsventil, etc.) und die Ölbefüllung sind zu kontrollieren.

■ **Niedrige Kältemittelbefüllung:** Die korrekte Kältemittelbefüllung ergibt sich aus dem Stand im Flüssigkeitsschauglas, dem Verflüssiger-delta T in Bezug auf die Kältemitteldrucktabellen (Druck-Temperatur), der Überhitzung und Unterkühlung, etc. (ist ein Nachfüllen erforderlich, siehe Abschnitt "Befüllen der Anlage").

■ **Verdichterkurzbetrieb:** Die Zyklenzahl darf 12 Starts pro Stunde nicht übersteigen.

12 – Wartung

■ Performer® Verdichter erfordern keine besonderen Wartungsmaßnahmen. Allerdings wird darauf aufmerksam gemacht, dass ordnungsgemäßer Betrieb und Wartung der Anlage anlagenabhängigen Verdichterproblemen vorbeugt. Es empfiehlt sich daher, folgende vorbeugende Wartungskontrollen in regelmäßigen Abständen vorzunehmen:

o Kontrolle der Betriebsbedingungen (Verdampfungstemperatur, Verflüssigungstemperatur, Verdichtungsendtemperatur, Temperaturdifferenz an Wärmetauschern, Überhitzung, Unterkühlung). Die betreffenden Daten müssen immer innerhalb der Verdichteranwendungsgrenzen liegen.

o Die Funktionsfähigkeit und korrekte Einstellung von Sicherheitseinrichtungen ist zu überprüfen.

o Verdichterölniveau und -qualität sind zu überprüfen; diese Maßnahme sollte bei Ölverfärbungen auch einen Säuretest, Feuchtigkeitstest, eine Spektrometeranalyse, etc. umfassen.

o Der Kreis ist auf Dichtheit zu überprüfen.

o Der ordnungsgemäße Betrieb der Wärmetauscher ist zu überprüfen und diese gegebenenfalls zu reinigen.

o Die Stromaufnahme des Verdichtermotors sowie die Spannungsverteilung auf die Phasen ist zu überprüfen.

o Alle elektrischen Anschlüsse sind auf festen Sitz in den Klemmen zu kontrollieren.

o Es ist dafür zu sorgen, dass der Verdichter sauber und in gutem Zustand ist; Verdichtergehäuse, Rohrleitung und elektrische Anschlüsse müssen frei von Rost gehalten werden.

o Es ist dafür zu sorgen, dass die Kältemittelbefüllung sowohl für Winter- als auch Sommerbetrieb ausreicht.

■ Es ist sicherzustellen, dass die in lokalen Vorschriften vorgeschriebenen periodischen Betriebsinspektionen vorgenommen werden.

13 – Austausch

⚠ Vor einem Trennen, Schneiden oder Bohren von Löchern in der Verrohrung ist sicherzustellen, dass kein unter Druck stehendes Kältemittel in der Anlage vorhanden ist.

⚠ Das Kältemittel darf nicht in die freie Atmosphäre abgelassen werden; vielmehr muss es gesetzesgemäß mit Hilfe von zugelassenen Wiedergewinnungsverfahren und -ausrüstungen entfernt und anschließend sicher gelagert werden.

⚠ Kältemitteldämpfe können die Luft verdrängen und zu Erstickengefahr führen. Deshalb ist bei Servicearbeiten an der Anlage immer zwingend für eine ausreichende Entlüftung zu sorgen.

⚠ Der Austausch von Kälteanlagenkomponenten hat immer in Übereinstimmung mit den lokalen Vorschriften zu erfolgen.

■ Es ist sicherzustellen, dass die Stromversorgung abgeschaltet ist.

■ Vor einem Austausch ist unbedingt die Fehlerursache zu ermitteln und deren Behebung zu veranlassen. Wird diese Analyse und Reparatur nicht vorgenommen, können sich Fehler wiederholen. Bitte beachten, dass sich bei der Diagnose zum Austausch des Verdichters ein Ölsäuretest immer als nützlich erweist.

■ Es ist zu kontrollieren, dass der Performer® Serviceverdichter und der vor Ort auszutauschende Verdichter die gleichen elektrischen und kälte-technischen Eigenschaften aufweisen.

■ Die mit dem neuen Verdichter gelieferten Gummipuffer und Dichtungen sind zu benutzen.

■ Wird eine Anpassung der Verrohrung erforderlich, siehe bitte Abschnitt "**Sicherheitsmaßnahmen vor dem Einbau**".

■ Weitere Informationen bezüglich Austauschmaßnahmen finden sich in den vorherigen Abschnitten dieses Handbuchs.

Anmerkung: Falls ein Motorausfall eintritt, ist vor dem Austausch des Verdichters der gesamte Kreislauf zu spülen und zu reinigen, um Säure und Verunreinigungen zu entfernen. Bitte stets einen neuen Filtertrockner in der Flüssigkeitsleitung installieren. Vor dieser Maßnahme (falls erforderlich) die Anlage mindestens 2 Stunden lang mit Antisäure-Einsätzen betreiben (in solchen Fällen kann auch die Installation eines Burnout-Filtertrockners erforderlich sein). Nach einer Betriebsperiode von ca. 2 Wochen ist der Säuregehalt des Öls zu kontrollieren. Führt der Ölsäuretest zu einem positiven Ergebnis, ist das Öl abzulassen und auszutauschen, und sind die Antisäure-Einsätze im Filtertrockner in der Flüssigkeitsleitung und den vorher installierten Burnout-Filtertrockner auszutauschen. Öl- und Filtertrockneraustausch sind solange zu wiederholen, bis die Anlage sauber und säurefrei ist. Sind keine Anzeichen von Säure mehr erkennbar, sind die Antisäure-Einsätze mit der Standardausführung auszutauschen und der Burnout-Filtertrockner zu entfernen.

14 - Nutzungsanweisungen

Es ist darauf zu bestehen, dass alle Servicearbeiten nur von qualifiziertem Personal vorgenommen werden.

⚠ Die Oberflächentemperatur an Verdichter und Rohren kann 100°C (212°F) übersteigen und schwere Verbrennungen verursachen. Bei Arbeiten im Bereich des Verdichters und der Kältemittelrohrleitung ist besondere Vorsicht walten zu lassen. Darüber hinaus kann ein in Betrieb befindlicher Verdichter sehr kalte Oberflächentemperaturen (bis zu -25°C / -13°F) erzeugen, daher ist das Personal der Gefahr von Kälteverbrennung ausgesetzt.

⚠ Der Druck im Inneren des Verdichters kann gefährlich hoch werden (z.B. abnormaler Betrieb, Feuer), was bei plötzlichem Freiwerden zu Personenverletzungen führen kann. Deshalb niemals am Verdichtergehäuse und der benachbarten Rohrleitung bohren, schweißen oder schneiden (freiwerdendes flüssiges Kältemittel kann auf freier Haut blitzartig Erfrierungen verursachen).

Bitte beachten, dass die Produktgarantie unter den folgenden Umständen als ungültig und aufgehoben erklärt werden kann:

■ Externe Änderungen am Verdichter (Entfernen des Typenschildes, Bohren, Schweißen, abgebrochene Füße, Stoßspuren)

■ Verdichter vom Kunden geöffnet oder undicht zurückgeliefert (d.h. offene Druck- und Sauganschlüsse)

■ Vorhandensein von Rost und Wasser im Inneren des Verdichters

■ Zusatz von Lecksuchmittel im Schmiermittel

■ Benutzung von Kältemittel oder Schmiermittel, das nicht von Danfoss Maneurop S.A. zugelassen ist

■ Jede Abweichung von den empfohlenen Installations-, Anwendungs- und Wartungsanleitungen

■ Einsatz in mobilen Anwendungen (Booten, Schienenfahrzeugen, LKWs, etc.) oder unter explosionsgefährdeten Umgebungsbedingungen (der Anschlusskasten des Verdichters ist nicht explosionsgeschützt).

Das Herstellungsdatum des Verdichters ist auf dem Typenschild angegeben. Es ist dafür zu sorgen, dass bei allen dieses Produkt betreffenden Reklamationen die Modell- und Seriennummer angegeben wird.



Danfoss Maneurop
Commercial Compressors

BP 331 F-01603 Trévoux France
Tél. 04 74 00 28 29 - (33) 4 74 00 28 29
Fax 04 74 00 52 44 - (33) 4 74 00 52 44
www.danfoss-maneurop.com

Danfoss can accept no responsibility for possible errors in catalogues, brochures and other material. Danfoss reserves the right to alter its products without notice. This also applies to products already on order provided that such alterations can be made without subsequential changes being necessary in specifications already agreed. All trademarks in this material are property of the respective companies. Danfoss, the Danfoss logotype and Performer® are trademarks of Danfoss AS. All rights reserved.