

Fig. 1

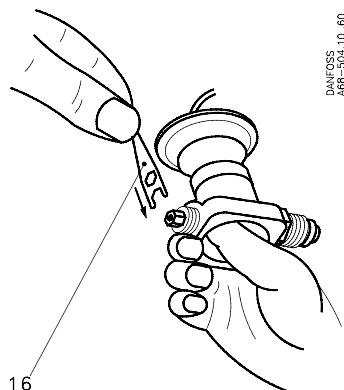


Fig. 2

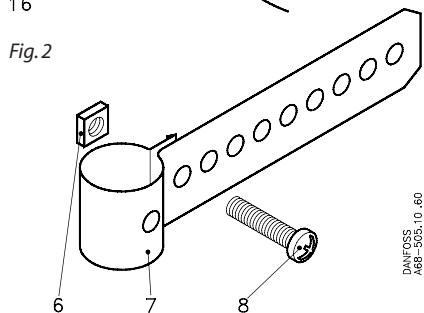


Fig. 3

		PHT 85	PHT 125	PHT 300
Description	Qty	Code no.	Code no.	Code no.
<b>Insert assembly, fig. 1</b>				
no. 1		<b>026H1101</b>	<b>026H2183</b>	<b>026H2184</b>
no. 2		<b>026H1102</b>		<b>026H2185</b>
no. 3		<b>026H1103</b>		
no. 4		<b>026H1104</b>		
no. 5		<b>026H1105</b>		
Pos. 9 Insert	1			
11 Gasket	1			
13 O-ring	1			
<b>Seal kit, fig. 1</b>				
Pos. 3 Gasket	2	<b>026H0052</b>	<b>026H0053</b>	<b>026H0054</b>
4 Gasket	1			
5 O-ring	1			
10 Gasket	1			
11 Gasket	1			
13 O-ring	1			
15 Flange gasket	2			
<b>Main spring assembly, fig. 1</b>				
no. 1, with P band 0.3 bar		<b>026H0561</b>		
no. 2, with P band 0.5 bar		<b>026H0562</b>		
no. 3, with P band 0.7 bar		<b>026H0563</b>	<b>026H0567</b>	
no. 4, with P band 0.9 bar		<b>026H0564</b>	<b>026H0568</b>	
no. 5, with P band 1.1 bar		<b>026H0565</b>	<b>026H0569</b>	<b>026H0573</b>
no. 6, with P band 1.3 bar		<b>026H0566</b>	<b>026H0570</b>	
Pos. 11 Gasket	1			
12 Main spring	1			
<b>Pilot orifice, figs. 1 and 2 for PHT 85, 125, 200 and 300</b>				
Pos. 2 Orifice no. 2	1	<b>067B2090</b>	<b>067B2090</b>	<b>067B2090</b>
3 Gasket	2			
5 O-ring	1			
16 Adjustment key (fig. 2)	1			
<b>Man. opening spindle, fig. 1 for PHT 85</b>				
Pos. 10 Gasket	1	<b>026H0222</b>	<b>026H0222</b>	<b>026H0222</b>
14 Man. opening spindle	1			
<b>Flare nut, fig. 1</b>				
Pos. 1 1/4 in. or 6 mm	10	<b>011L1101</b>	<b>011L1101</b>	<b>011L1101</b>

<b>Accessories</b>				
<b>Bulb strap, fig. 3 for max. dia. 35 mm tube</b>				
Pos. 6 Nut	1	<b>068-1212</b>	<b>068-1212</b>	<b>068-1212</b>
7 Strap	1			
8 Screw	1			
<b>Bulb strap, fig. 3 extra long</b>				
Pos. 6 Nut	1	<b>026H0218</b>	<b>026H0218</b>	<b>026H0218</b>
7 Strap	1			
8 Screw	1			