

**Type 111 – standard (DN 40-150)**

- 15 Gasket for cone
- 16 Gasket for cone
- 17 Sealing ring for guide piece
- 18 Sealing ring for piston
- 19 O-ring for guide piece
- 20 O-ring for piston
- 21 O-ring/gasket (only for size 125) for housing / guide piece
- 22 O-ring for cylinder
- 23 O-ring for end cover
- 24 O-ring for cap type
- 33 Gasket for spindle
- 65 O-ring for connection part/solenoid valve
- 66 O-ring for nipple
- 67 Gasket for nipple

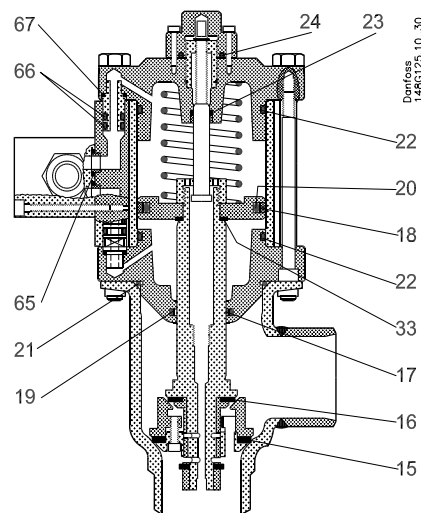


Fig. 1, GPS 40-150, type 111 standard

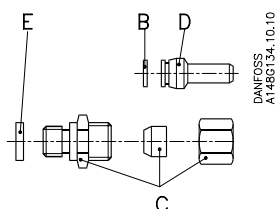


Fig. 2, External / pilot connection complete

Description	Pos.	Size 40-50 (1 1/2-2 in.)	Size 65-80 (2 1/2-3 in.)	Size 1000 (4 in.)	Size 125 (5 in.)	Size 150 (6 in.)
		Code no.	Code no.	Code no.	Code no.	Code no.
<b>Repair kit</b> , complete set of gaskets	15, 16, 17, 18, 19, 20, 21, 22, 23, 24, 33, 65, 66, 67	<b>2453+047</b>	<b>2453+048</b>	<b>2453+049</b>	<b>2453+055</b>	<b>2453+068</b>
<b>Complete top part</b>	–	<b>148G3579</b>	<b>148G3580</b>	<b>2421+257</b>	<b>2421+258</b>	<b>2421+259</b>
<b>External/pilot connection complete</b>	Fig. 2	<b>2469+009</b>	<b>2469+009</b>	<b>2469+009</b>	<b>2469+009</b>	<b>2469+009</b>