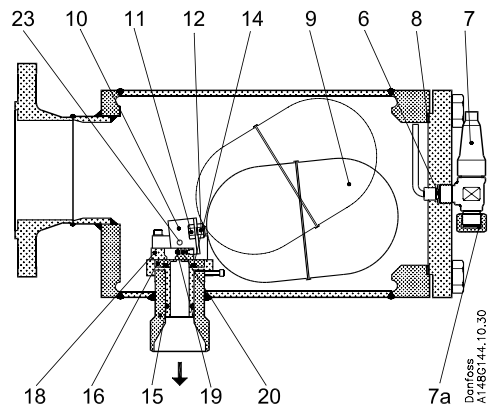


Before 2003



After 2003

| Description                                       | Size 100-150 (4-6 in.)                      |                 |                 |
|---|---|-----------------|-----------------|
|   | Type of nozzle (nominal capacity)           |                 |                 |
|   | 040   | 050             | 060             |
|   | Code no.                                    | Code no.        | Code no.        |
| <b>Repair kit</b> , complete set of gaskets       | <b>2453+094</b>                             | <b>2453+094</b> | <b>2453+094</b> |
| Pos. 6 Gasket                                     |   |                 |                 |
| 7a Gasket   |   |                 |                 |
| 8 O-ring for housing/end cover                    |   |                 |                 |
| 14 O-ring   |   |                 |                 |
| 15 O-ring   |   |                 |                 |
| <b>Spare part kit</b> , nozzle and slide complete | <b>2453+095</b>                             | <b>2453+096</b> | <b>2453+097</b> |
| Pos. 14 O-ring                                    |   |                 |                 |
| 16 Nozzle   |   |                 |                 |
| 18 Slide  |   |                 |                 |
| 19 Pin  |   |                 |                 |
| 20 Lock screw                                     |   |                 |                 |
| <b>Complete renewal kit*</b>                      | <b>2453+100</b>                             | <b>2453+101</b> | <b>2453+102</b> |
| Pos. 6 Gasket                                     |   |                 |                 |
| 7a Gasket   |   |                 |                 |
| 8 O-ring for housing/end cover                    |   |                 |                 |
| 9 Float ball (R717)                               |   |                 |                 |
| 10 Joint  |   |                 |                 |
| 11 Nut  |   |                 |                 |
| 12 Nut  |   |                 |                 |
| 14 O-ring   |   |                 |                 |
| 15 O-ring   |   |                 |                 |
| 16 Nozzle   |   |                 |                 |
| 18 Slide  |   |                 |                 |
| 19 Pin  |   |                 |                 |
| 20 Lock screw                                     |   |                 |                 |
| 23 Pin  |   |                 |                 |
| <b>Orifice assembly</b>                           | <b>See spare part for stop valves SNV 8</b> |                 |                 |
| Pos. 7 Stop valve SNV 8                           |   |                 |                 |

\* The float mechanism is assembled and adjusted from factory