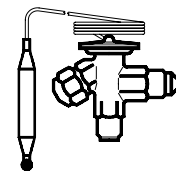




INSTRUCTIONS

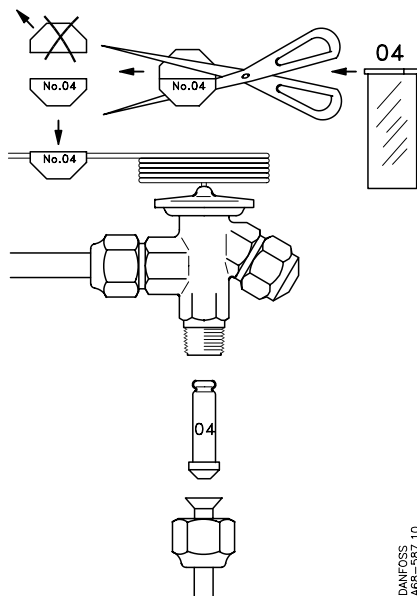
TXI 2



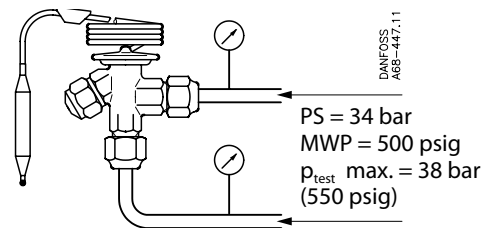
068R9505

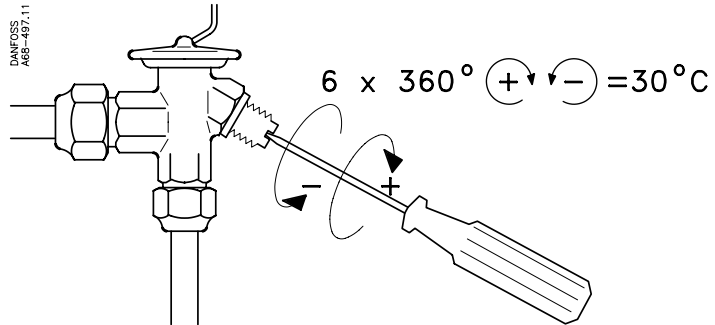
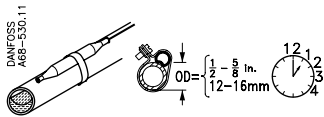
068R9505

R 22



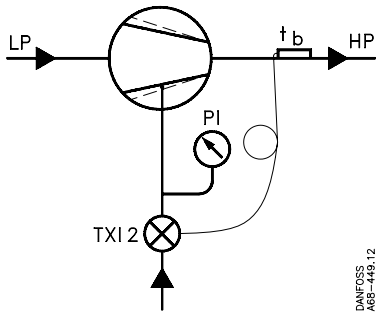
DANFOSS
A68-557.10



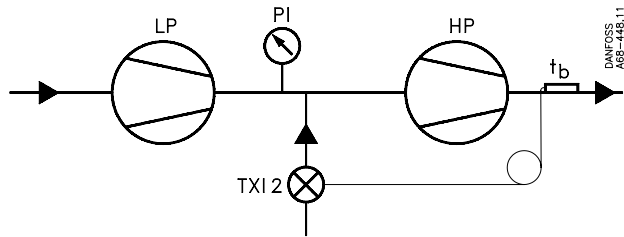


| | Range | Factory setting | Setting range |
|---------|-------------|-----------------|----------------|
| t_b : | 80 → 110 °C | t_b : 95°C | 6 rev. = 30 °C |
| PI: | 1 → 5 bar | PI: 3 bar | |
| t_b : | 100 → 130°C | t_b : 115°C | 6 rev. = 30 °C |
| PI: | 1 → 5 bar | PI: 3 bar | |
| t_b : | 100 → 130°C | t_b : 115°C | 6 rev. = 30 °C |
| PI: | 0 → 2.5 bar | PI: 1 bar | |

t_b = bulb temperature. PI = intermediate pressure



DANFOSS
ABB-449.12



DANFOSS
ABB-448.11