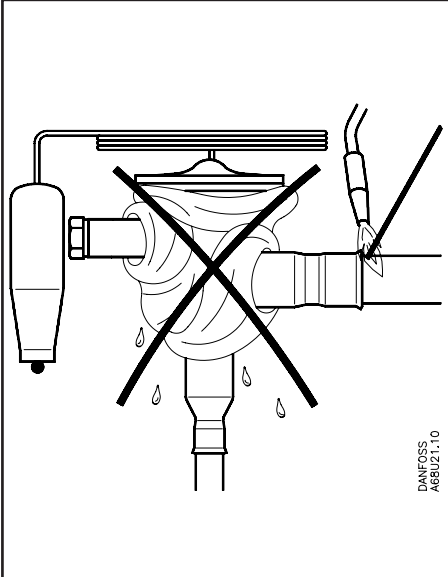


Type TU

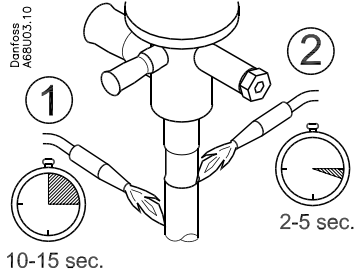
068R9543



DANFOSS
A68U21.10

P_{test} (excl. R410A) = max. 37.5 bar (540 psig)

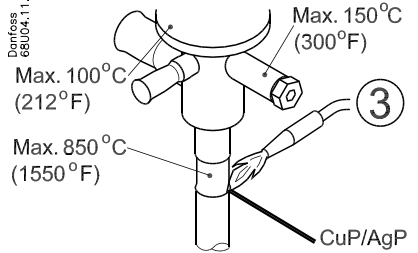
P_{test} (R410A) = max. 47 bar (680 psig)



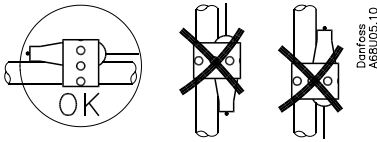
Danfoss
66U04.1.1.11

Max. 100°C
(212°F)

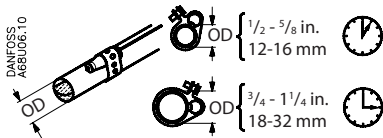
Max. 850°C
(1550°F)



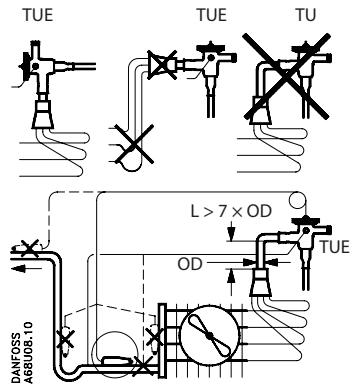
068R9543



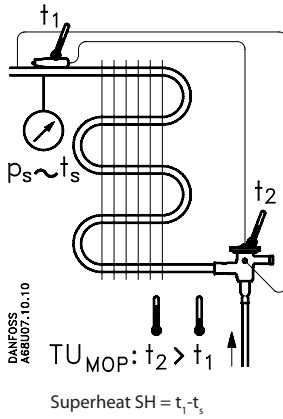
Danfoss
A68U05.10



DANFOSS
A68U06.10



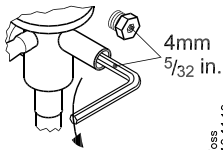
DANFOSS
A68U08.10



Factory setting

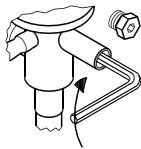


N, B: 5°C (9°F)
 N_{MOP} , NM: 4°C (7°F)
 B_{MOP} : 4°C (7°F)



Danfoss
68U10.11.10

1



Danfoss
68U13.11.10

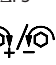
2

4Nm(3ft-lbs)

Factory setting



R22 / R407C: 4-5 × 360°
 R134a: 7-8 × 360°
 R404A / R507: 6-7 × 360°

R22 R407C	R134a	R404A R507	ΔFS 1 × 
	N		2°C (3.6°F)
N	NM	N,B	2.5°C (4.5°F)
NM,B		NM	3°C (5.4°F)