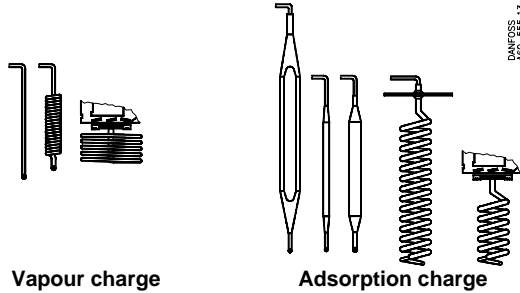


060R9758

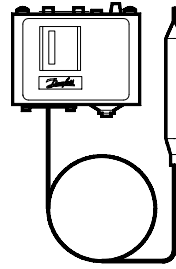
060R9758

KP 61, 62, 63, 68, 69 vapour charge  
 KP 62, 71, 73, 75, 77, 79, 81 adsorption charge (cross ambient)

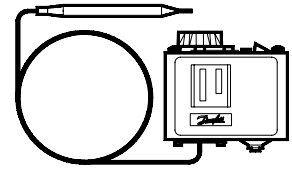


Vapour charge

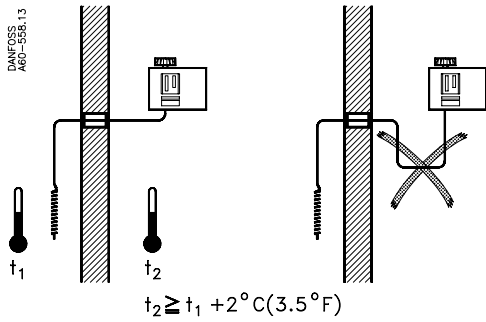
Adsorption charge



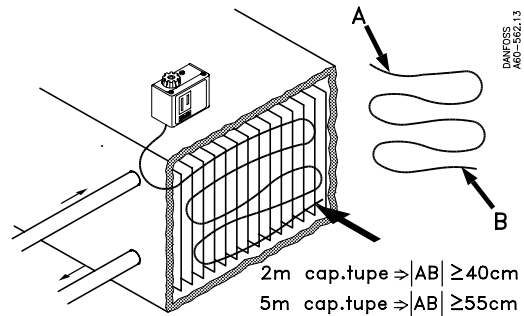
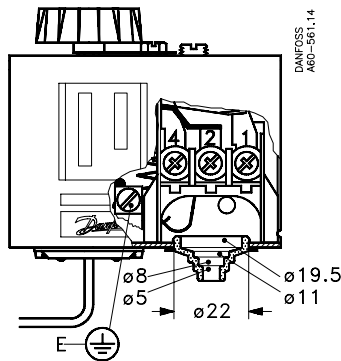
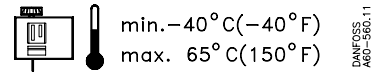
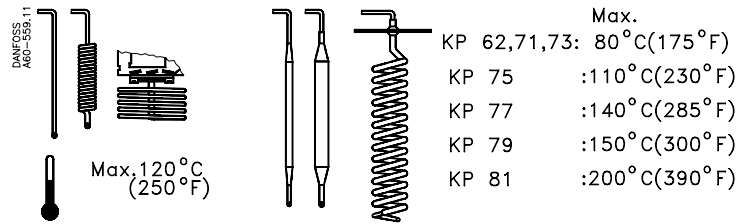
Manuel reset



μ-stop



Vapour charge



**Electrical rating - General**

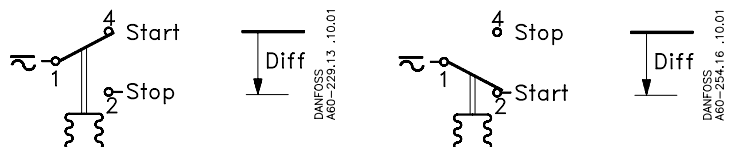
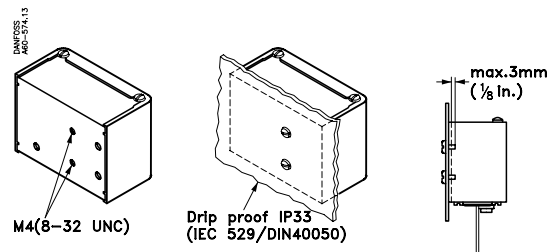
LR 112A	AC 1: 16A AC 3: 16A AC 11: 10 A	400 V=	DC 11 12 W 220 V=
---------	---------------------------------------	--------	-------------------------

**When used acc. to UL regulations**

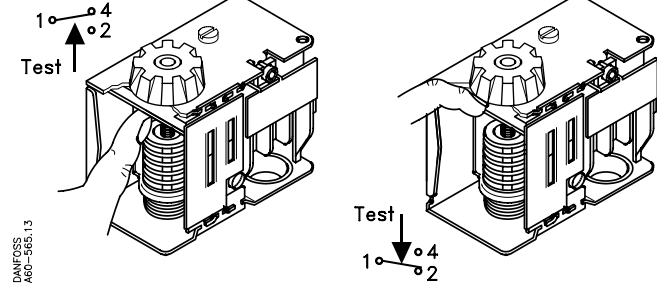
**UL** Listed refrigeration controller 61B5

Voltage	FL	LR	Resist.	Pilot
AC	DC	A	load	duty
240		8	48	8A
		16	96	16A
	240			3A
				12W

Use copper wire only  
 Tightening torque 20lb.in.

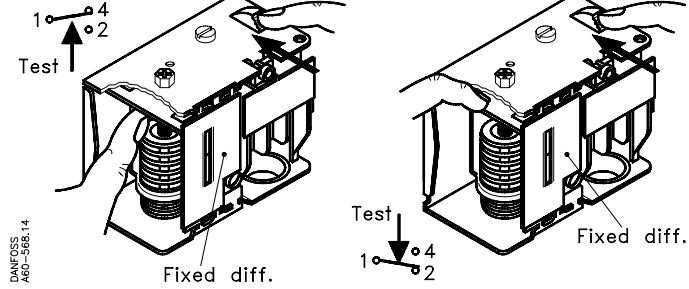


**Automatic reset**



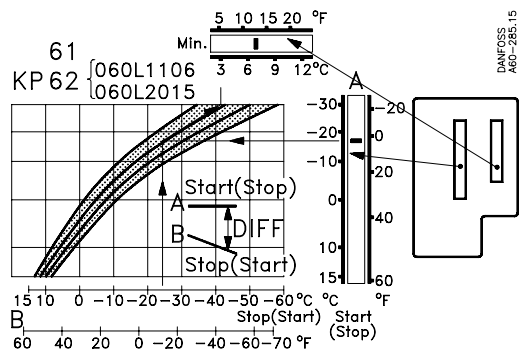
DANFOSS  
A60-565.13

**Manual reset**

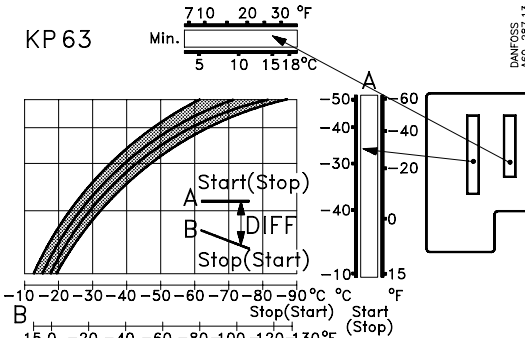


DANFOSS  
A60-568.14

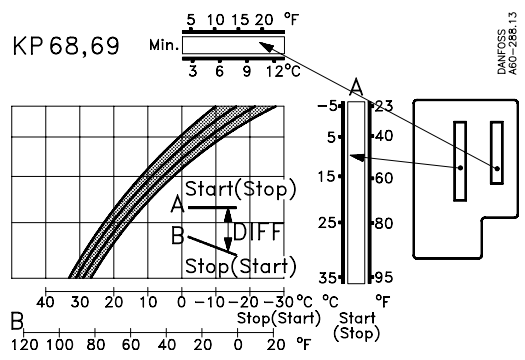
KP 61	060L1104, 060L1105	diff. = 3°C (5.4°F)
KP 71	060L1115	diff. = 3°C (5.4°F)
KP 73	060L1138	diff. = 3.5°C (6.3°F)



DANFOSS  
A60-285.15

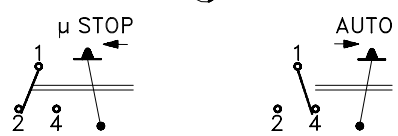
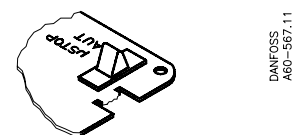
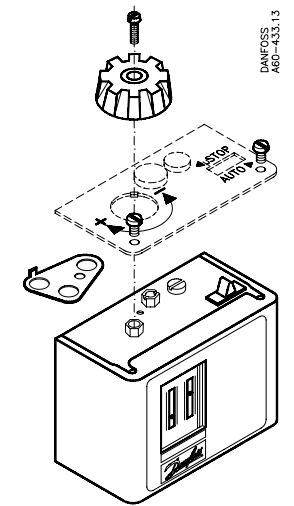
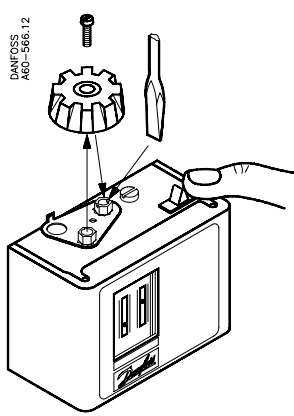


DANFOSS  
A60-287.13



DANFOSS  
A60-288.13

**Vapour charge**



KP 61	060L1103, 1128	Vapour charge
KP 62	060L1110	Adsorption charge
KP 73	060L1118	Adsorption charge