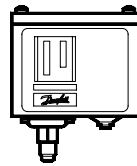


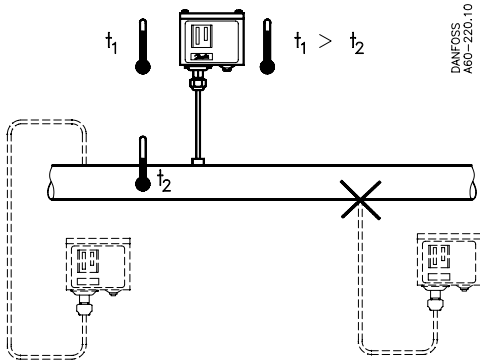
060R9504

060R9504

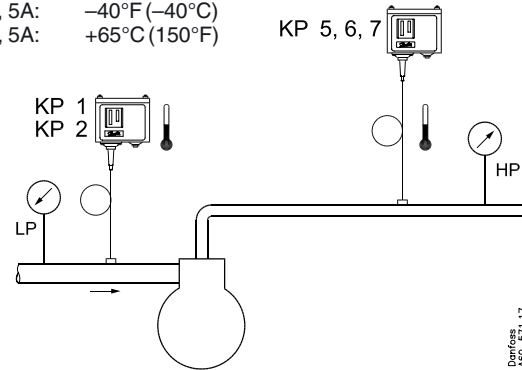
KP 1, 5: CFC, HFC, HCFC
KP 1A, 5A: R 717 (NH₃)



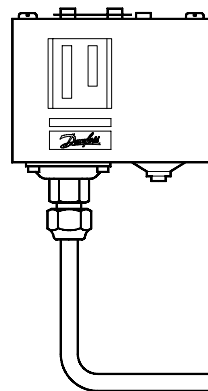
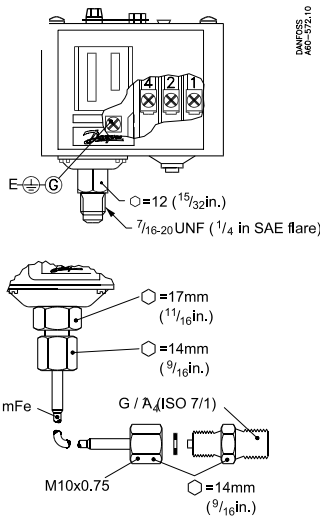
KP 1, 1A, 5, 5A



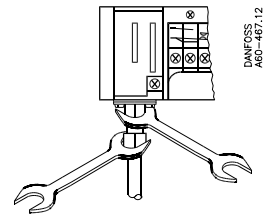
t_1 min. KP 1, 1A, 5, 5A: $-40^{\circ}\text{F} (-40^{\circ}\text{C})$
 t_1 max. KP 1, 1A, 5, 5A: $+65^{\circ}\text{C} (150^{\circ}\text{F})$



KP 1, 5

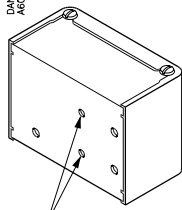


$p_{\text{test max.}}$
 KP 1, 1A: 20 bar p_e (285 psig)
 KP 5, 5A: 33 bar p_e (470 psig)

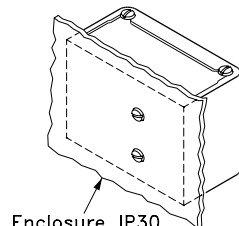


DANFOSS A60-467.12

DANFOSS A60-952.12

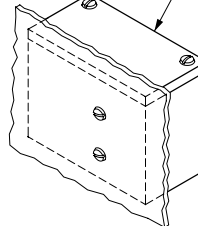


M4(8-32UNC)

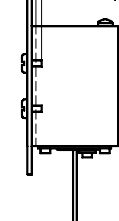


Enclosure IP30 (IEC 529)

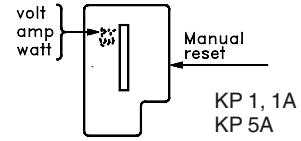
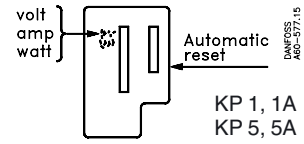
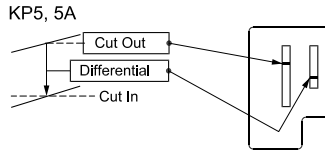
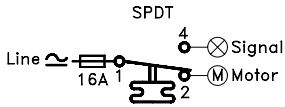
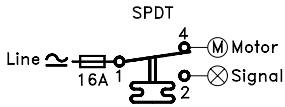
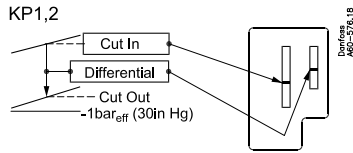
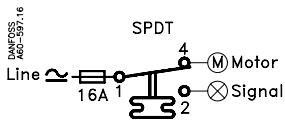
Enclosure IP44 (IEC 529)



max. 3mm (1/8 in)



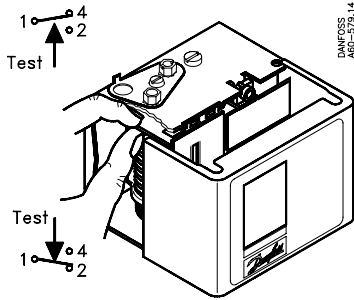
DANFOSS A60-957.11.10



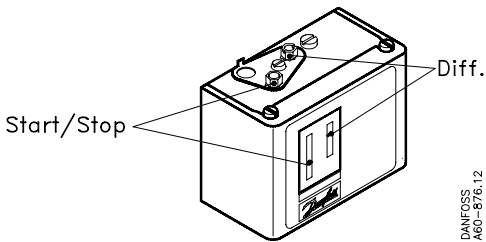
Contact load

Regulation	Max.: 100 mA / 30 V a.c. / d.c.
	Min.: 1 mA / 5 V a.c. / d.c.
Alarm	Max.: 10 A / 400 V a.c.
	12 W / 220 V d.c.
	Min.: 1 mA / 5 V a.c. / d.c.

Automatic reset

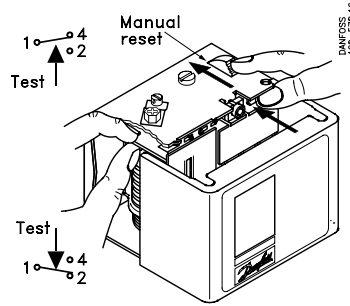


KP 1, 5, 5A

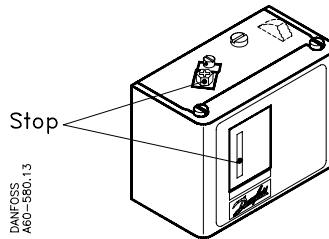


KP 1, 1A, 5, 5A

Manual reset



KP 1, 1A, 5, 5A



KP 1, 1A, 5, 5A

Diff.
KP 1, 1A: 0.7 bar (10 psi)
KP 5, 5A: 3 bar (43 psi)

Type	Range	PB
KP 1	-0.2 → 7.5 bar	17 bar
KP 1 reset	-0.9 → 7 bar	17 bar
KP 5	8 → 32 bar	35 bar
KP 5 reset	8 → 32 bar	35 bar

KP 1, 1A:
KP 5, 5A:

Range

- ⊕ Increase
360° CW
- ⊖ Decrease
360° CW

