

Instructions

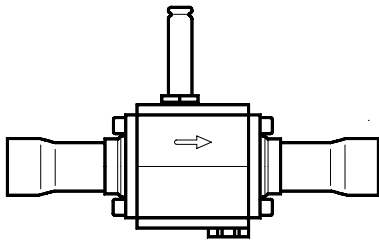
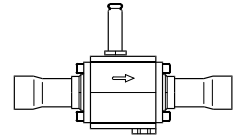


032R9518

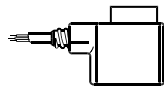
032R9518

Solenoid valves

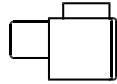
EVR 32, EVR 40



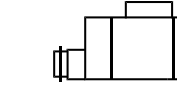
EVR 32/40



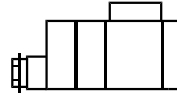
a.c. ~



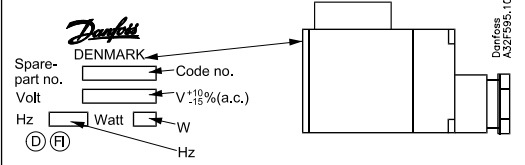
a.c. ~



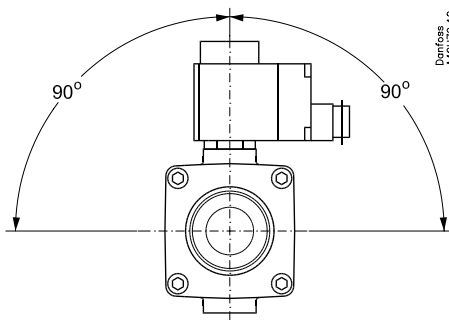
a.c. ~



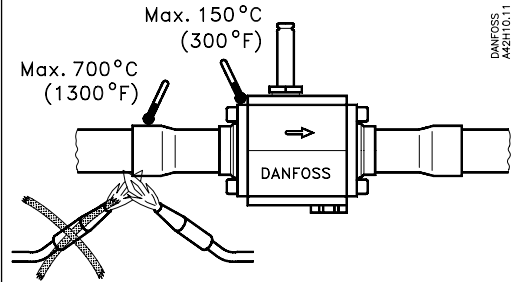
12 W a.c. ~
20 W d.c. =



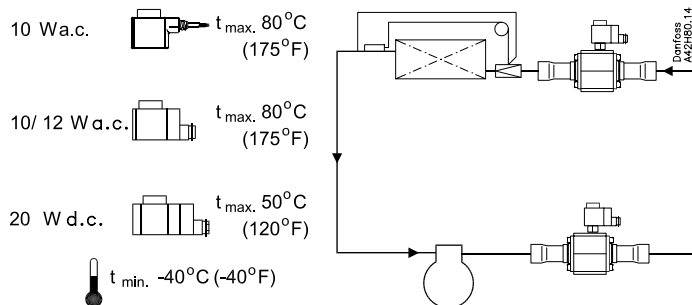
Danfoss A32F595.10



Danfoss A42H/9.10



DANFOSS A42H10.11



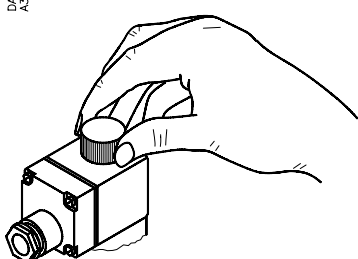
- 10 W a.c. t_{max.} 80°C (175°F)
- 10/12 W a.c. t_{max.} 80°C (175°F)
- 20 W d.c. t_{max.} 50°C (120°F)
- t_{min.} -40°C (-40°F)

Min. medium temperature: -40°C (-40°F)
Max. medium temperature: 105°C (221°F)

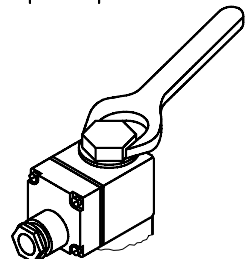
Max. working pressure: PS = 32 bar / 464 psig
Max. opening diff. pressure (MOPD): →

Previous version

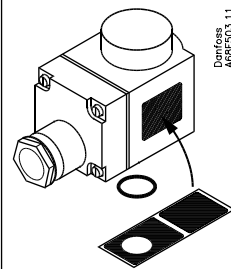
DANFOSS A32F159.12



Nm	kpm	ft-lbs
1,4	0,15	1

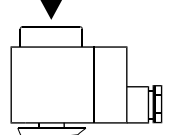


Clip-on

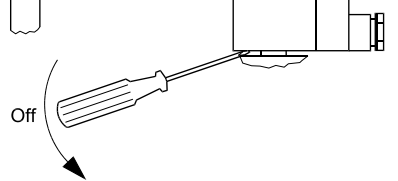


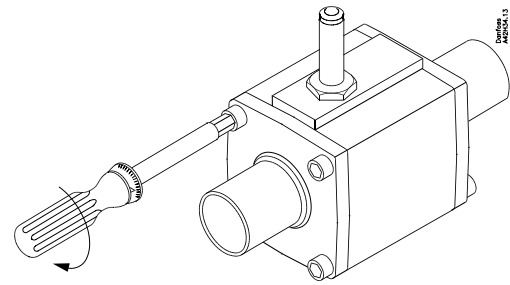
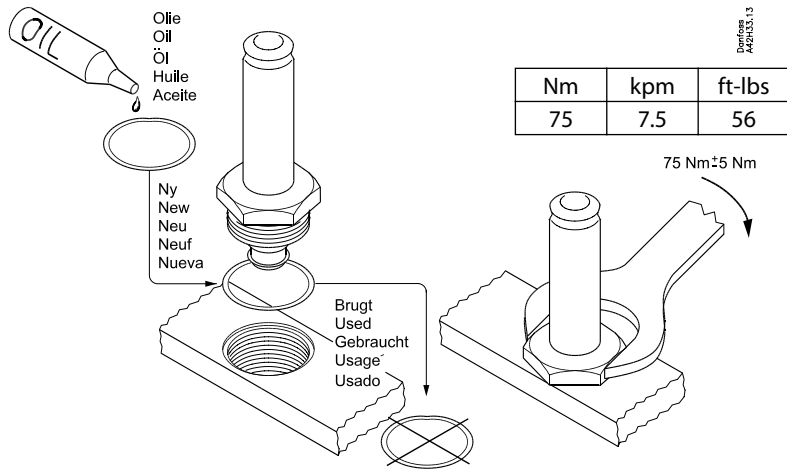
Danfoss A69F593.11

On ↓

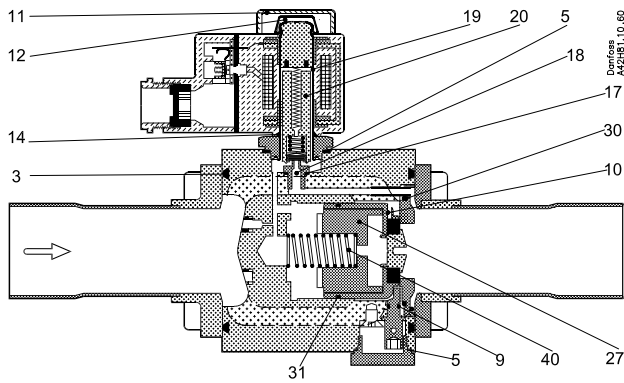


Off ↻





Nm	kpm	ft-lbs
20	2.0	15



EVR 32/40

