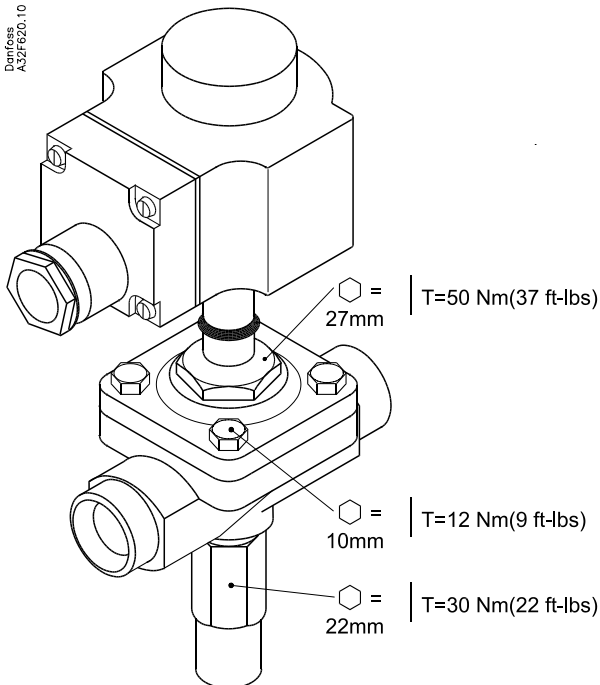
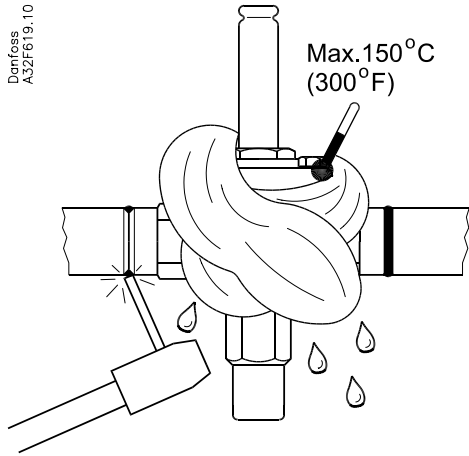
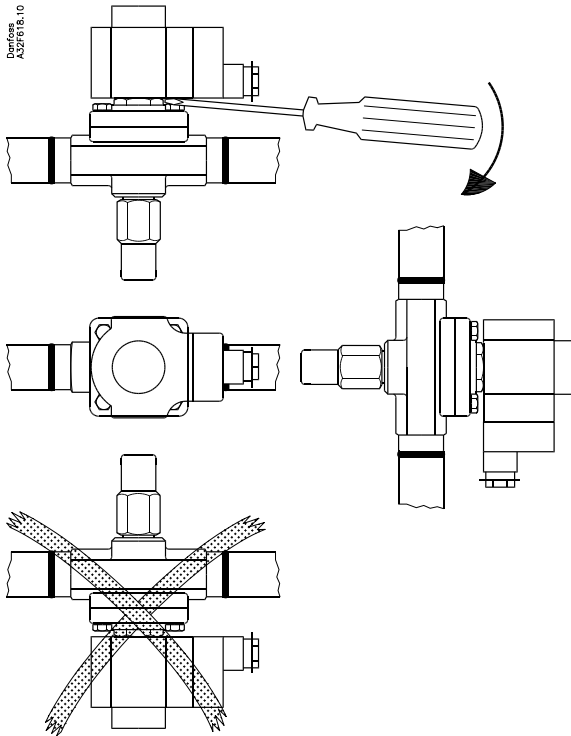


R 717 (NH<sub>3</sub>), HFC, HCFC, CFC

p<sub>test</sub> = max. 42 bar





### Clip-on

