

Fig. 5

Description	Qty	Code no.
WVS 32		
Piston kit, fig. 5		016D0065
Pos. 1 Sleeve	1	
2 Piston seat ring	1	
3 Piston	1	
4 Piston ring	1	
5 Gasket	1	
Proba grease	1	
Filter kit, fig. 5		016D0090
Pos. 11 O-ring	1	
13 Gasket	1	
18 Filter assembly	1	
Proba grease	1	
Filter holder kit, fig. 5		016D0094
Pos. 11 O-ring	1	
13 Gasket	1	
19 Filter holder	1	
20 Orifice	1	
Pilot kit, fig. 5		016D0100
Pos. 15 Rubber gasket (for WVS 40-100, fig. 6)	1	
16 O-ring (for WVS 40-100, fig. 6)	1	
22 O-ring	1	
23 Bushing	1	
24 Sleeve	2	
25 Spring retainer	1	
26 Spring	1	
27 Pilot plate	1	
28 Insert (for WVS 40-100, fig. 6)	1	
29 Pilot cone assembly	1	
30 Screw	2	
41 Gasket	1	
Seal kit, fig. 5		016D0081
Pos. 55 Gasket	1	
11 O-ring	1	
12 Seal ring	2	
13 Gasket	1	
14 Gasket	1	
41 Gasket	1	
Proba grease	1	
Spring, fig. 5		016D1327
Pos. 5 Spring 0-10 bar	1	

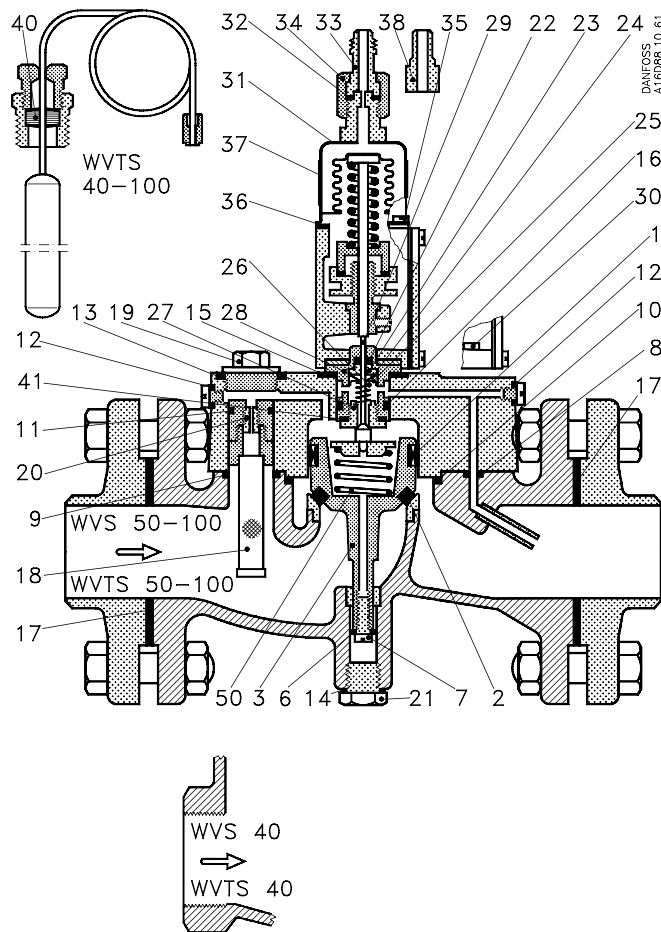


Fig. 6, WVS / WVTS 40-100

WVS / WVTS		Size 40	Size 50	Size 65	Size 80	Size 100
Description	Qty	Code no.	Code no.	Code no.	Code no.	Code no.
Piston kit, fig. 6		016D0061	016D0061	016D0062	016D0063	016D0064
Pos. 1 Sleeve	1					
2 Piston seat ring	1					
3 Piston	1					
6 Cu gasket	1					
7 Screw	1					
8 O-ring	1					
9 O-ring	1					
10 O-ring	1					
Proba grease	1					
Filter kit, fig. 6		016D0091	016D0091	016D0092	016D0093	016D0093
Pos. 11 O-ring	1					
13 Gasket	1					
18 Filter assembly	1					
Proba grease	1					
Filter holder kit, fig. 6		016D0094	016D0094	016D0094	016D0094	016D0094
Pos. 11 O-ring	1					
13 Gasket	1					
19 Filter holder	1					
20 Orifice	1					

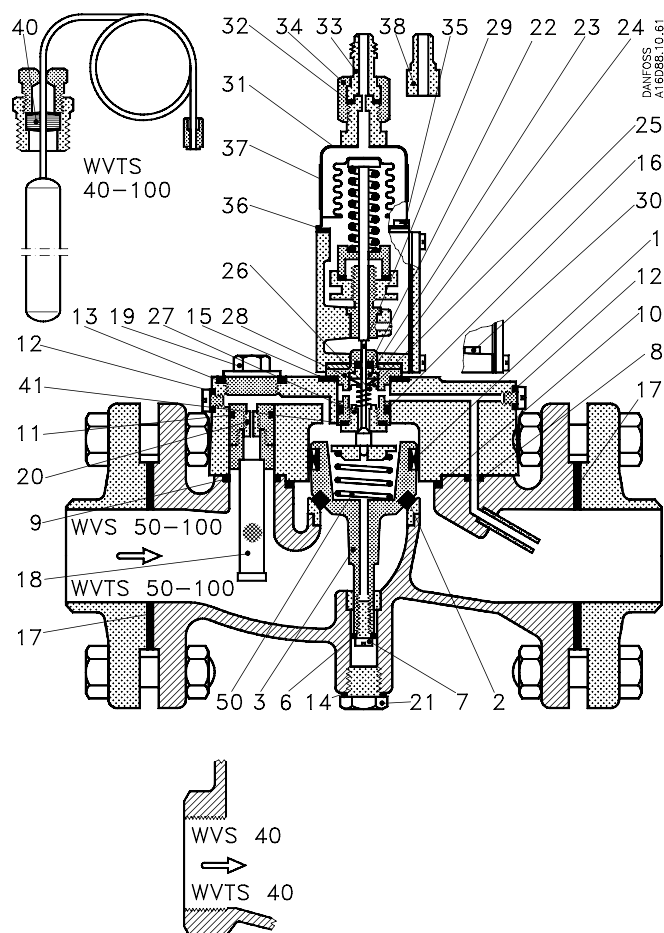


Fig. 6, WVS / WVTS 40-100

WVS / WVTS		Size 40	Size 50	Size 65	Size 80	Size 100
Description	Qty	Code no.	Code no.	Code no.	Code no.	Code no.
Bottom plug, fig. 6		016D0087	016D0087	016D0087	016D0087	016D0087
Pos. 14 Gasket	1					
21 Plug	1					
Pilot kit, fig. 6		016D0100	016D0100	016D0100	016D0100	016D0100
Pos. 15 Rubber gasket	1					
16 O-ring	1					
22 O-ring	1					
23 Bushing	1					
24 Sleeve	2					
25 Spring retainer	1					
26 Spring	1					
27 Pilot plate	1					
28 Insert	1					
29 Pilot cone assembly	1					
30 Screw	2					
41 Gasket	1					
Spring, fig. 6		016D0575	016D0576	016D0577	016D0578	016D0579
Pos. 50 Spring 0-10 bar	1					

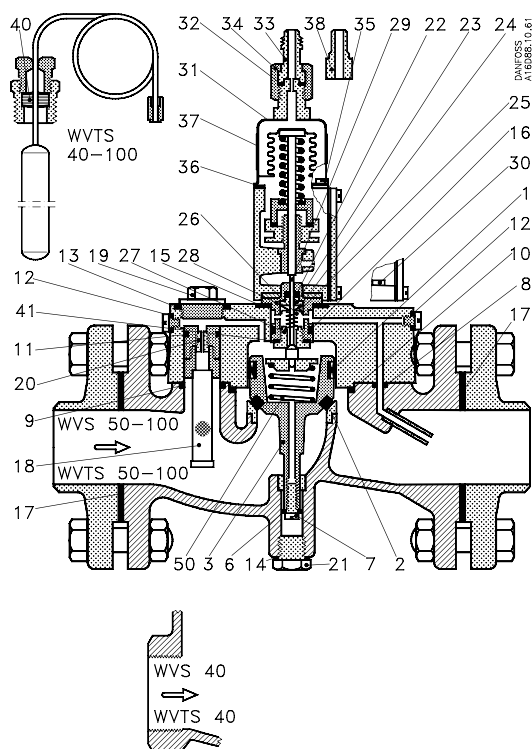


Fig. 6, WVS / WVTS 40 - 100

Description	Qty	Code no.	
Seal kit for WVS/WVTS 40, fig. 6			
Pos. 8 O-ring	1	016D0083	
9 O-ring	1		
10 O-ring	1		
11 O-ring	1		
12 Seal ring	2		
13 Gasket	1		
14 Gasket	1		
15 Rubber gasket	1		
16 O-ring	1		
Proba grease	1		
Seal kit for WVS/WVTS 50, fig. 6			
Pos. 8 O-ring	1		016D0083
9 O-ring	1		
10 O-ring	1		
11 O-ring	1		
12 Seal ring	2		
13 Gasket	1		
14 Gasket	1		
15 Rubber gasket	1		
16 O-ring	1		
17 Gasket	2		
Proba grease	1		
Seal kit for WVS/WVTS 65, fig. 6			
Pos. 8 O-ring	1	016D0084	
9 O-ring	1		
10 O-ring	1		
11 O-ring	1		
12 Seal ring	2		
13 Gasket	1		
14 Gasket	1		
15 Rubber gasket	1		
16 O-ring	1		
17 Gasket	2		
Proba grease	1		
Seal kit for WVS/WVTS 80, fig. 6			
Pos. 8 O-ring	1		016D0085
9 O-ring	1		
10 O-ring	1		
11 O-ring	1		
12 Seal ring	2		
13 Gasket	1		
14 Gasket	1		
15 Rubber gasket	1		
16 O-ring	1		
17 Gasket	2		
Proba grease	1		
Seal kit for WVS/WVTS 100, fig. 6			
Pos. 8 O-ring	1	016D0086	
9 O-ring	1		
10 O-ring	1		
11 O-ring	1		
12 Seal ring	2		
13 Gasket	1		
14 Gasket	1		
15 Rubber gasket	1		
16 O-ring	1		
17 Gasket	2		
Proba grease	1		

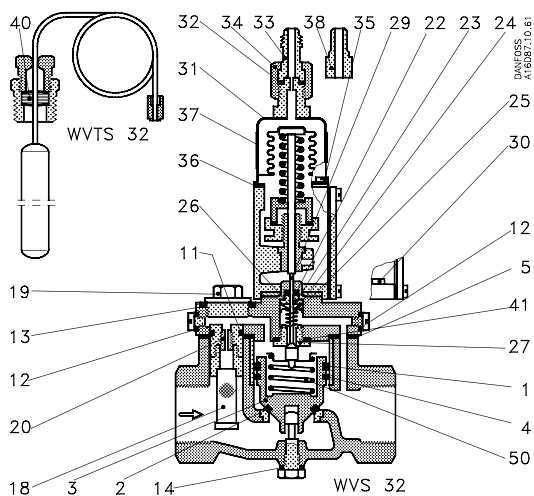


Fig. 7, WVS 32

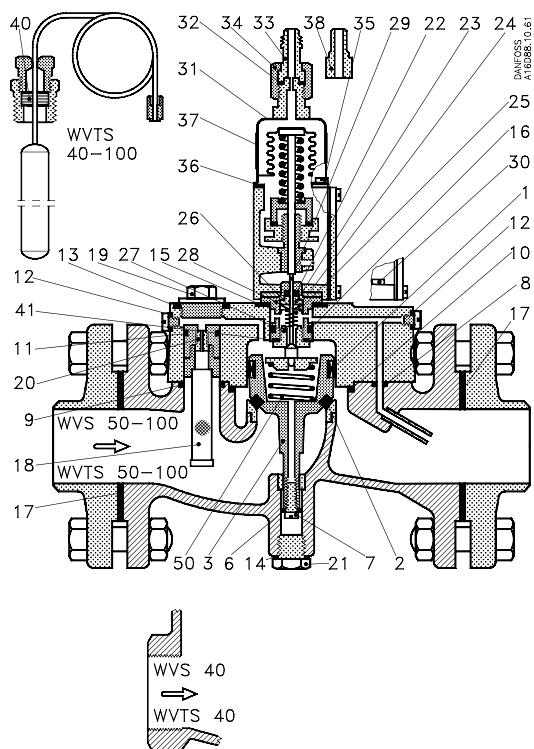


Fig. 8, WVS 40 - 100

Description	Qty	Code no.
WVS 32 - 100		
Element 2.2-19 bar, figs. 7 and 8		
Pos. 31 Element	1	016D1040
32 Alu-gasket	1	
33 Connector	1	
34 Union nut	1	
35 Screw	4	
36 Rubber gasket	1	
37 Label	1	
38 Welding connector	1	
Element 0-30°C, 2 m cap. tube, figs. 7 and 8		
Pos. 31 Element	1	016D1043
35 Screw	4	
36 Rubber gasket	1	
37 Label	1	
40 Rubber gasket	1	
Element 0-30°C, 5 m cap. tube, figs. 7 and 8		
Pos. 31 Element	1	016D1047
35 Screw	4	
36 Rubber gasket	1	
37 Label	1	
40 Rubber gasket	1	
Element 25-65°C, 2 m cap. tube, figs. 7 and 8		
Pos. 31 Element	1	016D1044
35 Screw	4	
36 Rubber gasket	1	
37 Label	1	
40 Rubber gasket	1	
Element 25-65°C, 5 m cap. tube, figs. 7 and 8		
Pos. 31 Element	1	016D1048
35 Screw	4	
36 Rubber gasket	1	
37 Label	1	
40 Rubber gasket	1	
Element 50-90°C, 2 m cap. tube, figs. 7 and 8		
Pos. 31 Element	1	016D1046
35 Screw	4	
36 Rubber gasket	1	
37 Label	1	
40 Rubber gasket	1	
Element 50-90°C, 5 m cap. tube, figs. 7 and 8		
Pos. 31 Element	1	016D1049
35 Screw	4	
36 Rubber gasket	1	
37 Label	1	
40 Rubber gasket	1	