

Fig.1, EVR 25 (NC) with stainless steel piston, previous design

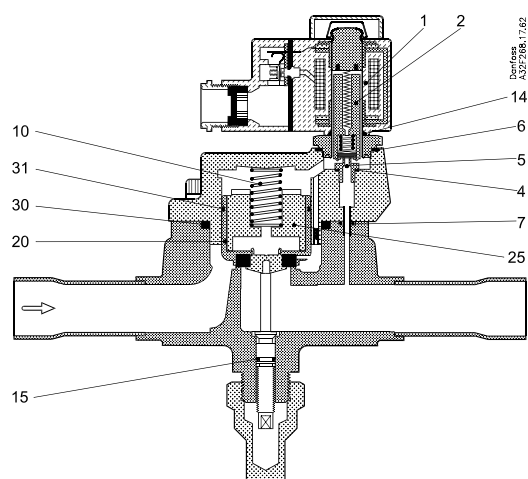


Fig.2, EVR 25 (NC) with cast iron piston

Description	Qty	Code no. Normally Closed (NC)
<b>EVR 25, previous design</b>		
<b>Piston service kit</b>		
Pos. 7 O-ring	1	<b>032F3236</b>
10 Spring	1	
14 O-ring	1	
20 Piston assembly	1	
25 Plastic block	1	
30 Rubber gasket	1	
31 Piston ring	1	
<b>EVR 25, previous design</b>		
<b>Pilot service kit</b>		
Pos. 1 Armature tube assembly	1	<b>042H0161</b>
2 Armature	1	
4 Al.gasket	1	
5 Orifice	1	
6 Al.gasket	1	
14 O-ring	1	
<b>EVR 25, previous design</b>		
<b>Pilot service kit</b>		
<b>Seal kit</b>		
Pos. 4 Al.gasket	1	<b>032F3235</b>
6 Al.gasket	1	
7 O-ring	1	
8 Gasket	2	
14 O-ring	1	
15 O-ring	1	
30 Rubber gasket	1	

**Note:**  
All code nos. are valid for EVR 25 with stainless steel piston as well as for EVR 25 with cast iron piston

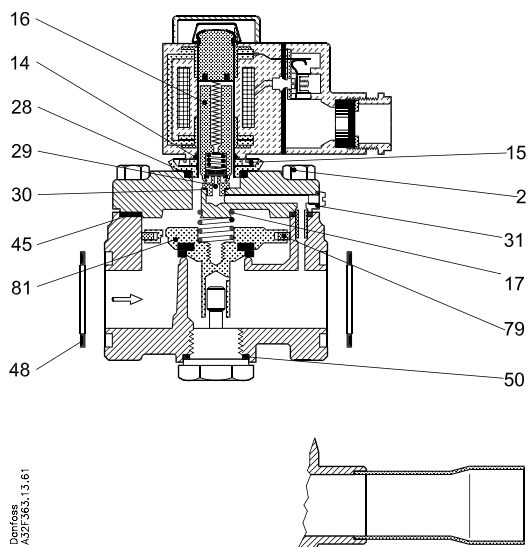


Fig.1, EVR 25 (NC), first version

Description	Qty	Code no. Normally Closed (NC)
<b>EVR 25, previous design</b>		
<b>Service kit</b>		
Pos. 2 Screw	4	<b>032F0190</b>
14 O-ring	1	
15 Screw	4	
16 Armature assembly, teflon	1	
17 Spring	1	
28 Rubber gasket	1	
29 Orifice	1	
30 Al. gasket	1	
31 Gasket	1	
45 Gasket	1	
48 Flange gasket	1	
50 Gasket	1	
79 Piston ring	1	<b>032F0176</b>
81 Piston assembly	1	
<b>EVR 25, previous design</b>		
<b>Seal kit</b>		
Pos. 14 O-ring	1	<b>032F0176</b>
28 Rubber gasket	1	
30 Al. gasket	1	
31 Gasket	1	
45 Gasket	1	
48 Flange gasket	2	
50 Gasket	1	
<b>EVR 25</b>		
<b>d.c. armature</b>		
Pos. 16 d.c. armature assembly	1	<b>032F0099</b>