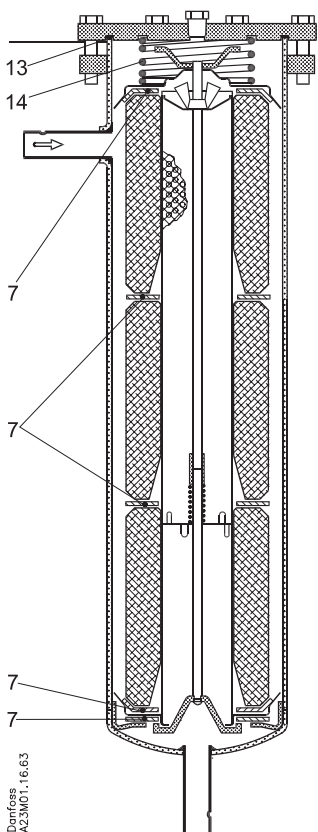


Danfoss
A23M39, 1.3.62

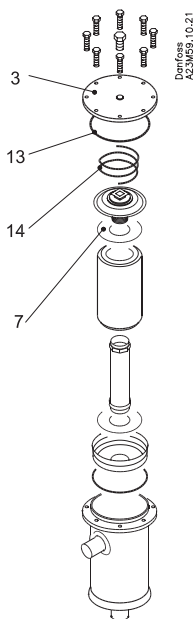
Type A, DCR with 1-2 core/block holder



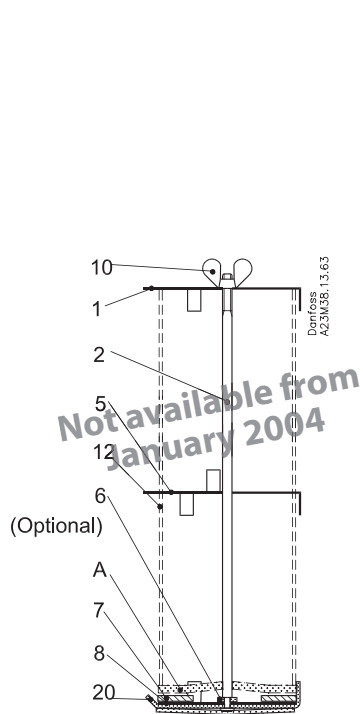
Danfoss
A23M01, 16.63

Type B, DCR with 1 - 4 core/block holder

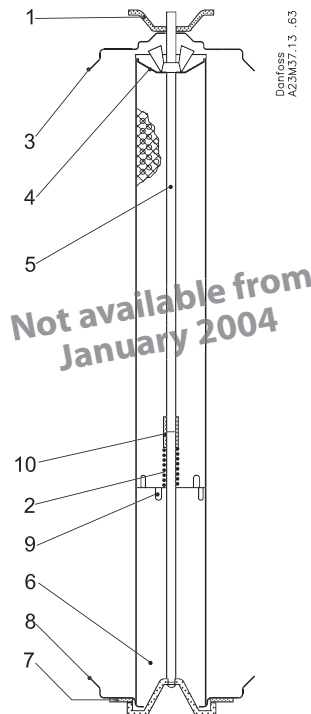
| Description | Qty | Code no. |
|---|---------|------------------------------------|
| Gasket for cover, Pos. 13 Ø121.8 × Ø113.6 × 0.8 mm Suitable for: Danfoss DCR, Alco ADKS, Sporlan C, Catch All, Henry V, Parker P, Carly BCY | 1 10 | 023U0055 023U2015 |
| Gasket for cover, Pos. 13 Ø115.5 × Ø107.5 × 1.6 mm Suitable for: Hansa GT, Castel 441— | 1 | 023U0056 |
| Spring for cover, type A + B, Pos. 14 Ø77.5 × 57 mm | 1 | 023U2019 |
| Gasket for cover, Pos. 13 Ø123.5 × Ø115.0 × 1.6 mm Suitable for: KMP K | 1 | 023U0057 |
| Felt gasket, Pos. 7 Ø95.5 × Ø45.5 × 1.8 mm | 1 | 023U2018 |
| Gasket for cover, Pos. 13 Ø121.8 × Ø113.6 × 1.5 mm, Heavy Duty and NH ₃ | 1 | 023U0058 |
| Felt gasket, Pos. 7 Ø95.5 × Ø45.5 × 2 mm NH ₃ | 1 | 023U2024 |
| Top cover with plug, Pos. 3 | 1 | 023U7906 |
| Top cover without plug, Pos. 3 | 1 | 023U7907 |
| Spring for cover, type C, Pos. 14 Ø51.5 × 60 mm | 1 | 023U7908 |



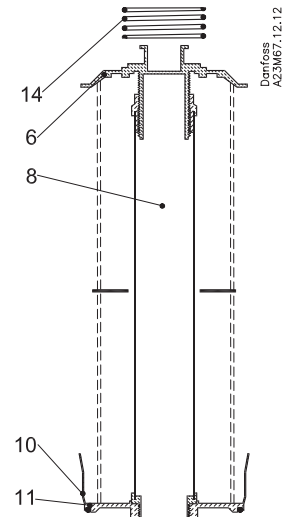
Type C, DCR with 1 - 4 core/block holder



Type A, 1 - 2 core/block holder



Type B, 1 - 4 core/block holder



Type C, 1 - 4 core/block holder

| Description | Qty | 1-core | 2-core | 3-core | 4-core |
|--|-----|-----------------|-----------------|-----------------|-----------------|
| | | Code no. | Code no. | Code no. | Code no. |
| 1 - 2 core/block holder, Type A | | | | | |
| Pos. 1 Plate | 1 | 023U1044 | 023U1045 | | |
| 2 Bolt | 1 | | | | |
| 5 Intermediate plate | 1 | | | | |
| 6 Washer | 1 | | | | |
| 7 Felt gasket | 1 | | | | |
| 8 Wire mesh | 1 | | | | |
| 10 Wing nut | 1 | | | | |
| 12 Cardboard spacer | 1 | | | | |
| 20 Plate | 1 | | | | |
| A Filtration element | 1 | | | | |
| 1 - 4 core/block holder, Type B | | | | | |
| Pos. 1 Grip | 1 | 023U1040 | 023U1041 | 023U1048 | 023U1049 |
| 2 Spring | 1 | | | | |
| 3 Clamp plate | 1 | | | | |
| 4 Cap | 1 | | | | |
| 5 Bolt | 1 | | | | |
| 6 Filter assembly | 1 | | | | |
| 7 Felt gasket | 1 | | | | |
| 8 Plate | 1 | | | | |
| 9 Joint plate, for separteable | 1 | | | | |
| 10 Nut, for separteable | 1 | | | | |
| 1 - 4 core/block holder, Type C | | | | | |
| Pos. 6 Top plate | 1 | 023U7901 | 023U7902 | 023U7903 | 023U7904 |
| 8 Filter tube | 1 | | | | |
| 10 Bottom plate | 1 | | | | |
| 11 O-ring - Ø 98,5 x 3,5 | 1 | | | | |
| 14 Spring | 1 | | | | |