

Fig. 1

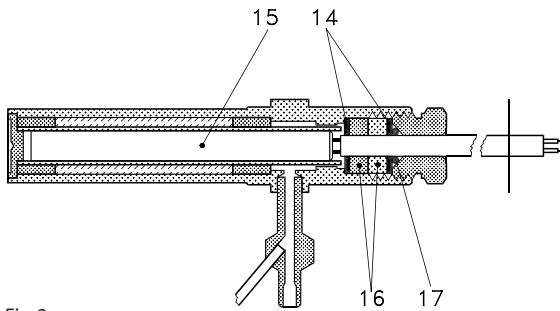


Fig. 2

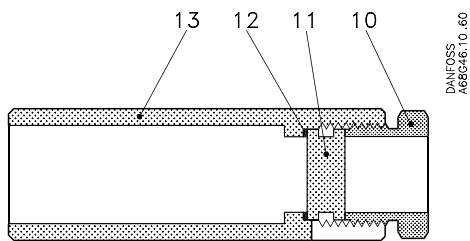


Fig. 3

Description	Qty	Code no.	Code no.	Code no.
Orifice assembly, fig. 1				1 TR 068G2050
Pos. 3 Throttling orifice	1			
4 O-ring	1			
5 Gasket	1			
9 Orifice assembly	1			
Orifice assembly, fig. 1		2 TR 068G2051	3 TR 068G2052	5 TR 068G2053
Pos. 4 O-ring	1			
5 Gasket	1			
9 Orifice assembly	1			
Orifice assembly, fig. 1		8 TR 068G2054	12 TR 068G2055	20 TR 068G2056
Pos. 4 O-ring	1			
5 Gasket	1			
9 Orifice assembly	1			
Orifice assembly, fig. 1		33 TR 068G2057	55 TR 068G2058	85 TR 068G2059
Pos. 4 O-ring	1			
5 Gasket	1			
9 Orifice assembly	1			
Seal kit, TEVA 20, fig. 1			068G0051	
Pos. 1 Gasket	1			
2 Gasket	1			
4 O-ring	1			
5 Gasket	1			
23 Flange gasket	2			
Seal kit, TEVA 85, fig. 1			068G0053	
Pos. 1 Gasket	1			
2 Gasket	1			
4 O-ring	1			
5 Gasket	1			
23 Gasket	2			
Electric heating element, 24 V, 10 W a.c. or d.c., fig. 2		068G0037		
Pos. 14 Washer	2			
15 Heating element	1			
16 Gasket	2			
17 O-ring	1			

Accessories				
Weld bush, fig. 3		068G0026		
Pos. 10 Nut	1			
11 Plug	1			
12 Gasket	1			
13 Bulb pocket	1			