

Fig. 1, TEAT

Description	Qty	Code no.	Code no.	Code no.
Orifice assemblies, fig. 1		2 TR	3 TR	5 TR
Pos. 4 O-ring	1	068G2051	068G2052	068G2053
5 Gasket	1			
9 Orifice assembly	1			
Orifice assemblies, fig. 1		8 TR	12 TR	20 TR
Pos. 4 O-ring	1	068G2054	068G2055	068G2056
5 Gasket	1			
9 Orifice assembly	1			
Orifice assemblies, fig. 1		33 TR	55 TR	85 TR
Pos. 4 O-ring	1	068G2057	068G2058	068G2059
5 Gasket	1			
9 Orifice assembly	1			
Seal kit, TEAT 20, fig. 1		068G0052		
Pos. 1 Gasket	1			
2 Gasket	1			
4 O-ring	1			
5 Gasket	1			
23 Flange gasket	2			
Seal kit, TEAT 85, fig. 1		068G0054		
Pos. 1 Gasket	1			
2 Gasket	1			
4 O-ring	1			
5 Gasket	1			
23 Gasket	2			

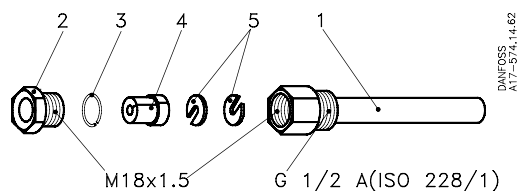


Fig. 2

Accessories				
Bulb pocket, stainless steel, fig. 2		993N3615		
Pos. 1 Bulb pocket	1			
2 Nut	1			
3 Washer	1			
4 Gasket	1			
5 Washer	2			
Bulb strap, fig. 3 for max. dia. 35 mm tube		068-1212		
Pos. 6 Nut	1			
7 Strap	1			
8 Screw	1			

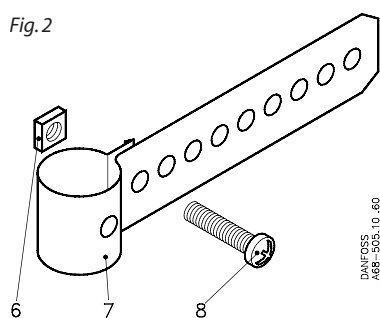


Fig. 3

TR = Tons of Refrigeration