

Fig. 1, CVPM

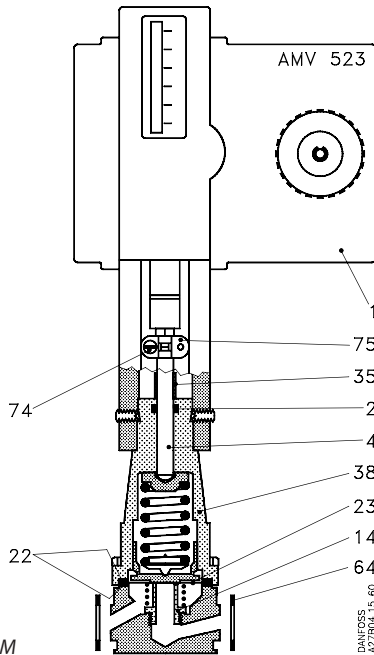


Fig. 2, CVMM

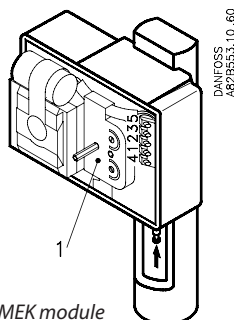


Fig. 3, Motor with AMEK module

Description	Qty	Code no.
CVPM motor pilot valve		
Seal kit, fig. 1		027F0666
Pos. A1 O-ring	1	
A2 Gasket	1	
Repair kit, fig. 1		027B2059
Pos. 2 O-ring	1	
4 Spindle	1	
35 Safety bush	1	
74 Screw	2	
75 Coupling	2	
Repair kit, fig. 1		027B0164
Pos. 14 Orifice	1	
15 Body	1	
22 Gasket	2	
23 Diaphragm	2	
Pilot valve, fig. 1		027B1170
Pos. 38 CVPM pilot valve assy without motor	1	
230 V motor, fig. 1		082B3517
Pos. 1 AMV 523 motor	1	
24 V motor, fig. 1		082B3515
Pos. 1 AMV 523 motor	1	
AMEK module, fig. 3		082B3301
Pos. 1 AMEK module	1	
CVMM motor pilot valve		
Repair kit, fig. 2		027B2059
Pos. 2 O-ring	1	
4 Spindle	1	
35 Safety bush	1	
74 Screw	2	
75 Coupling	2	
Repair kit, fig. 2		027B0162
Pos. 14 Orifice	1	
22 Gasket	2	
23 Diaphragm	2	
Pilot valve, fig. 2		027B1037
Pos. 38 CVMM pilot valve assy without motor	1	
230 V motor, fig. 2		082B3517
Pos. 1 AMV 523 motor	1	
24 V motor, fig. 2,		082B3515
Pos. 1 AMV 523 motor	1	
Flange gaskets, fig. 2		020-2133
Pos. 64 Gasket	2	
AMEK module, fig. 3		082B3301
Pos. 1 AMEK module	1	