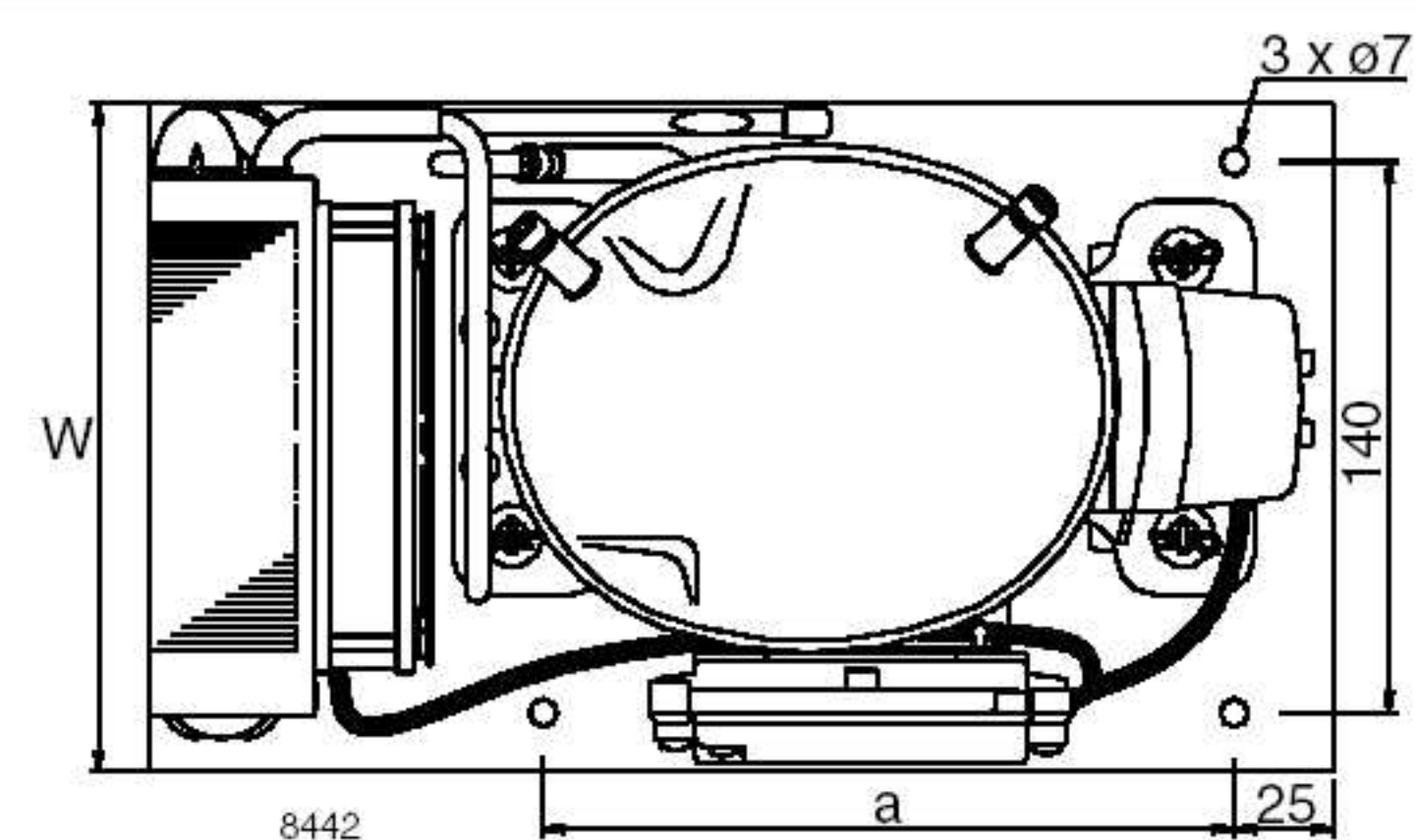
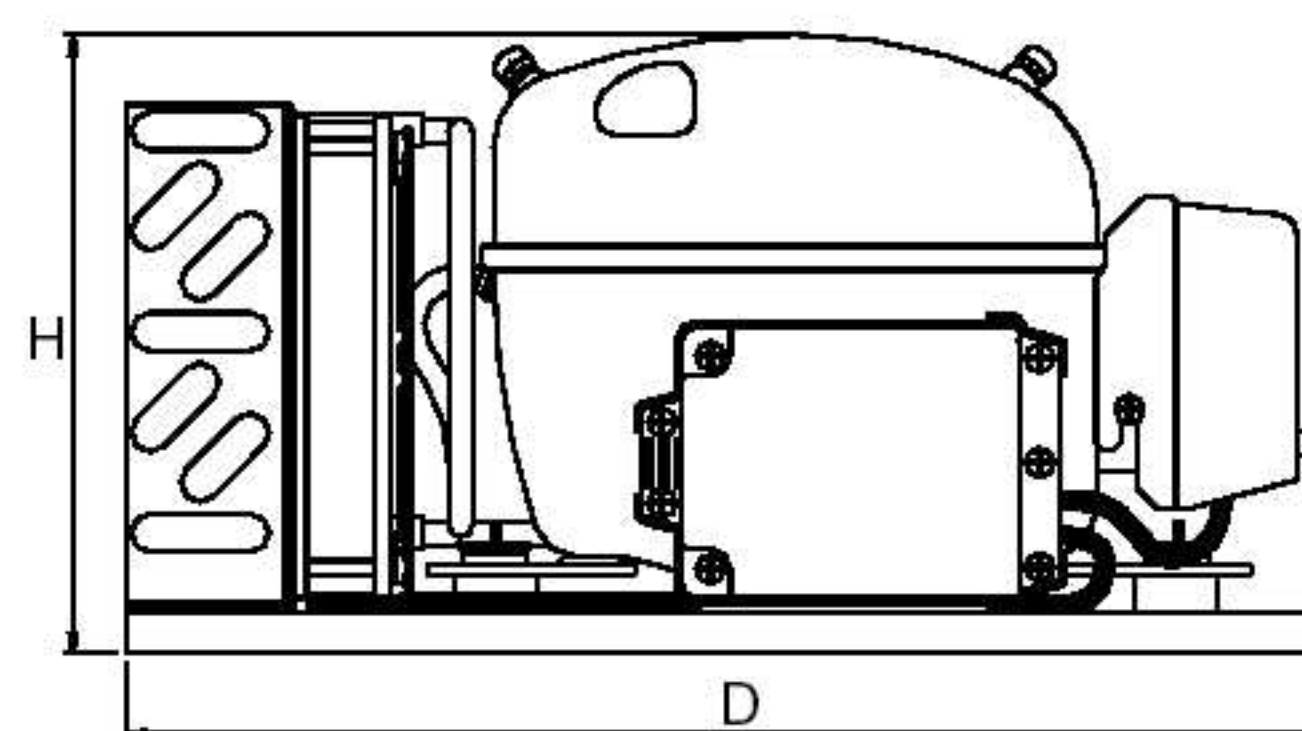


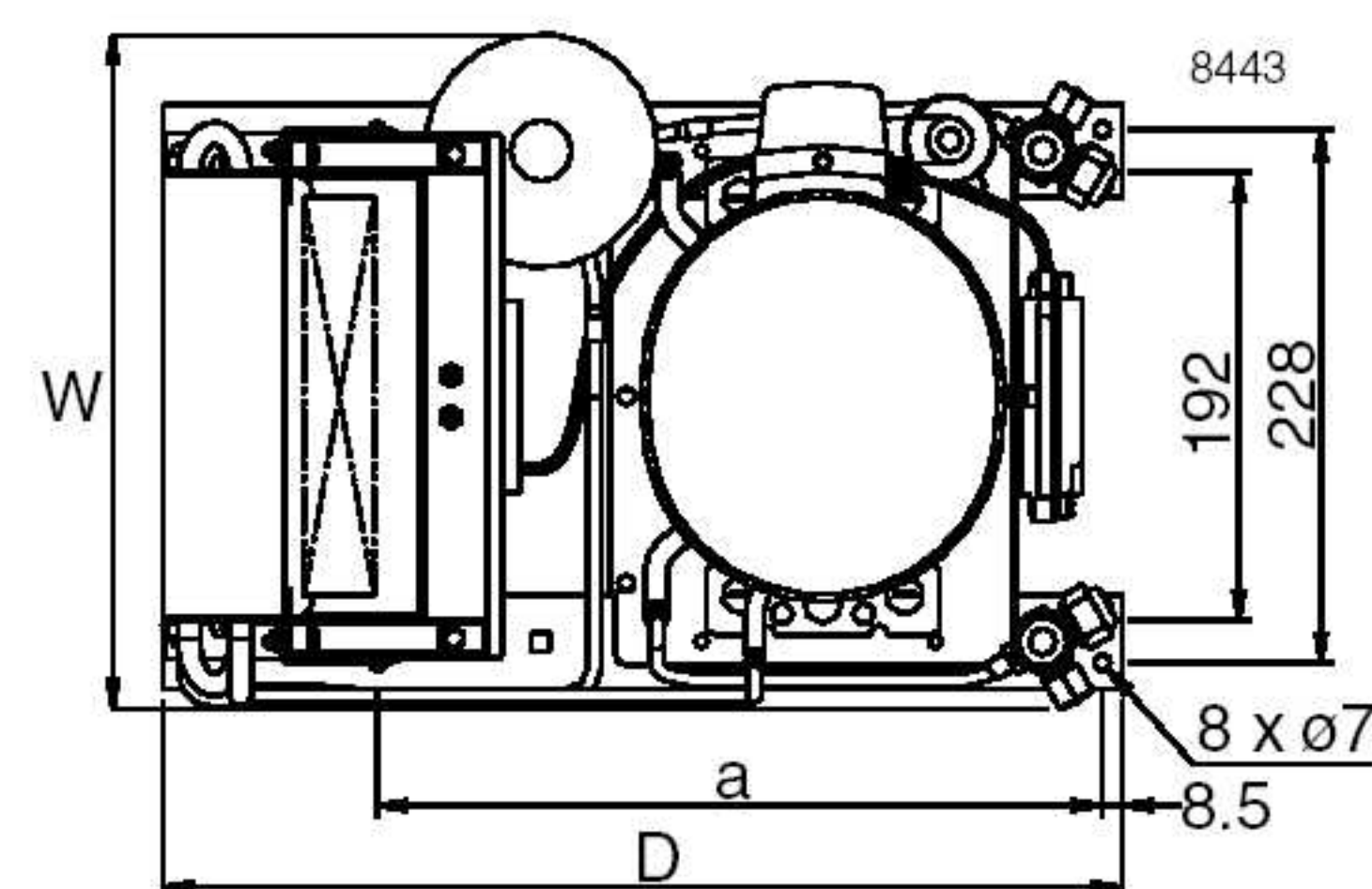
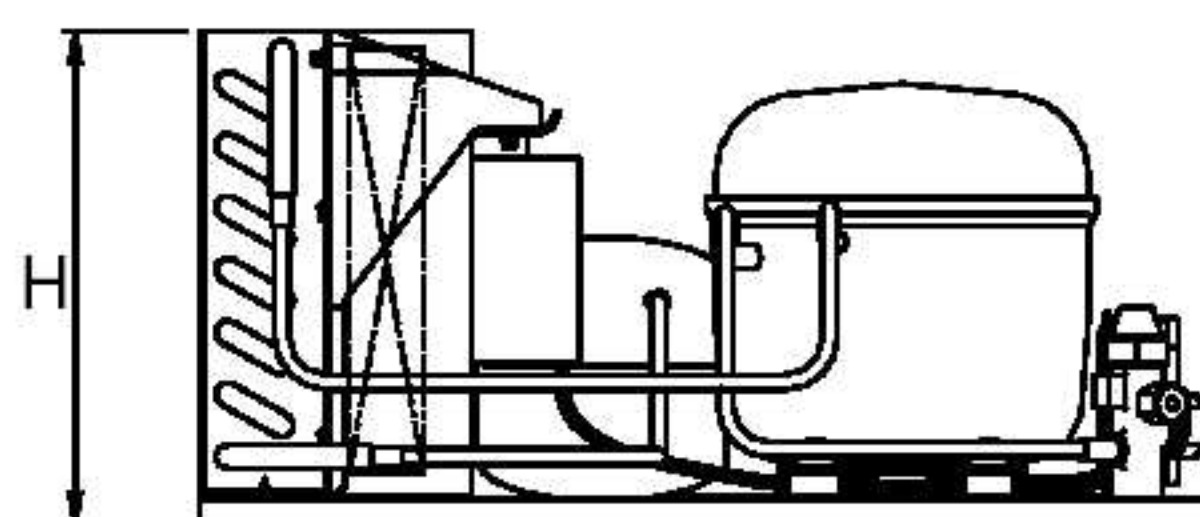
# Wymiary

Wymiary (wersja T2) mm						Waga wersji T2 (kg)	Typ agregatu
Wysokość H	Szerokość W	Długość D	Odstęłość a	Króciec ssawny	Króciec tłoczny		
155	170	300	175	6	5	7.1	PL50FX
197	273	410	310	6	6	10.7	TL3FX
200	313	410	310	6	6	13.3	NL7FX
200	313	410	310	6	6	13.3	NL7FTX
207	313	410	310	6	6	14.1	NL9FX
207	313	410	310	6	6	14.1	NL9FTX
226	313	432	310	10	6	15.1	NL11FX
226	313	432	310	10	6	15.1	NL10FTX
256	308	444	325	10	6	19.6	SC12FTX
226	283	432	310	10	6	18.0	SC15FX
296	331	451	325	10	6	20.9	SC15FTX
256	308	444	325	10	6	19.6	SC18FX
296	331	473	325	10	6	21.4	SC18FTX
256	308	444	325	10	6	19.6	SC21FX
152	170	300	175	6	5	7.1	PL35GX
197	289	410	310	6	6	11.2	TL3GX
197	289	410	310	6	6	12.1	TL4GX
197	289	410	310	6	6	13.0	TL5GX
226	304	432	310	10	6	16.2	FR6GX
226	304	432	310	10	6	16.2	FR7.5GX
226	304	432	310	10	6	16.2	FR8.5GX
226	304	432	310	10	6	16.2	FR10GX
256	321	444	325	10	6	18.3	FR11GX
256	321	444	325	10	6	20.5	SC12GX
296	331	451	325	10	6	20.9	SC15GX
296	331	473	325	10	6	21.4	SC18GX
296	331	513	365	10	6	22.2	SC21GX
350	442	610	370	12	10	41.3	SC12/12GX
350	442	610	370	12	10	45.0	SC15/15GX
350	442	610	370	16	10	47.9	SC18/18GX
350	442	610	370	16	10	48.9	SC21/21GX
256	321	444	325	10	6	21.5	SC10CMX
296	331	451	325	10	6	25.1	SC12CMX
296	331	473	325	10	6	25.1	SC15CMX
296	331	513	365	10	6	26.3	SC18CMX
350	442	610	370	12	10	44.8	SC10/10CMX
350	442	610	370	12	10	45.2	SC12/12CMX
350	442	610	370	12	10	47.2	SC15/15CMX
350	442	610	370	16	10	47.6	SC18/18CMX
296	331	473	365	10	6	25.2	SC10DMX
296	331	473	365	10	6	25.3	SC12DMX
350	331	610	370	10	6	38.2	SC15DMX
350	442	610	370	12	10	47.2	SC10/10DMX
350	442	610	370	16	10	47.2	SC12/12DMX
350	442	610	370	16	10	48.2	SC15/15DMX
226	304	432	310	10	6	13.2	TL4CLX
226	304	432	310	10	6	16.2	FR6CLX
256	321	444	325	10	6	18.2	FR8.5CLX
256	321	444	325	10	6	21.5	SC10CLX
296	331	451	325	10	6	25.1	SC12CLX
296	331	473	325	10	6	25.1	SC15CLX
296	331	513	365	10	6	26.3	SC18CLX
296	331	513	365	10	6	27.1	SC21CLX
350	442	610	370	12	10	45.2	SC10/10CLX
350	442	610	370	12	10	45.2	SC12/12CLX
350	442	610	370	12	10	47.2	SC15/15CLX
350	442	610	370	16	10	47.6	SC18/18CLX
350	442	610	370	16	10	49.2	SC21/21CLX
226	304	432	310	10	6	13.2	TL4DLX
256	321	444	325	10	6	18.2	FR6DLX
296	331	473	325	10	6	25.2	SC10DLX
296	331	473	325	10	6	25.3	SC12DLX
350	442	610	370	10	6	38.2	SC15DLX
350	442	610	370	12	10	47.2	SC10/10DLX
350	442	610	370	16	10	47.2	SC12/12DLX
350	442	610	370	16	10	48.2	SC15/15DLX

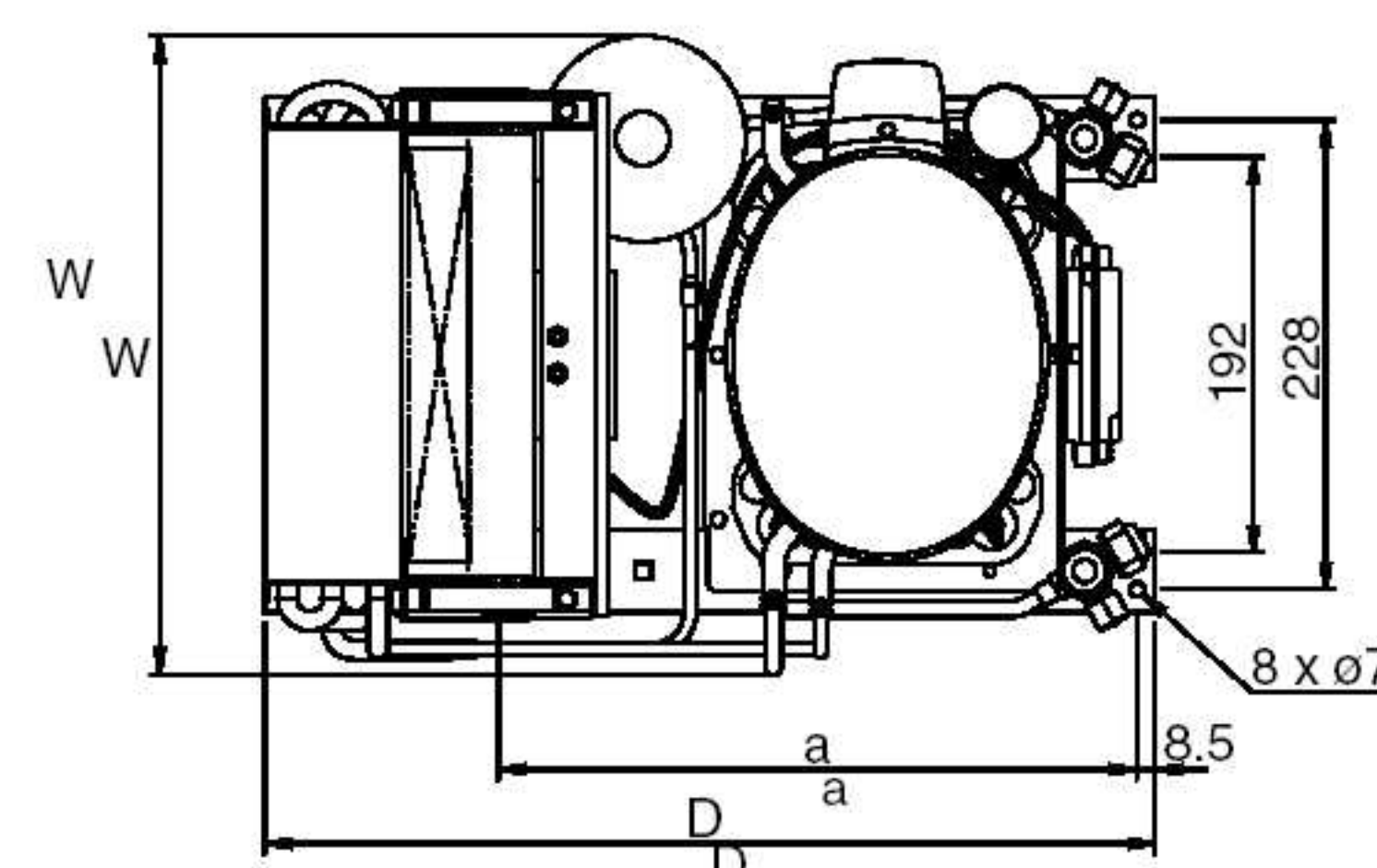
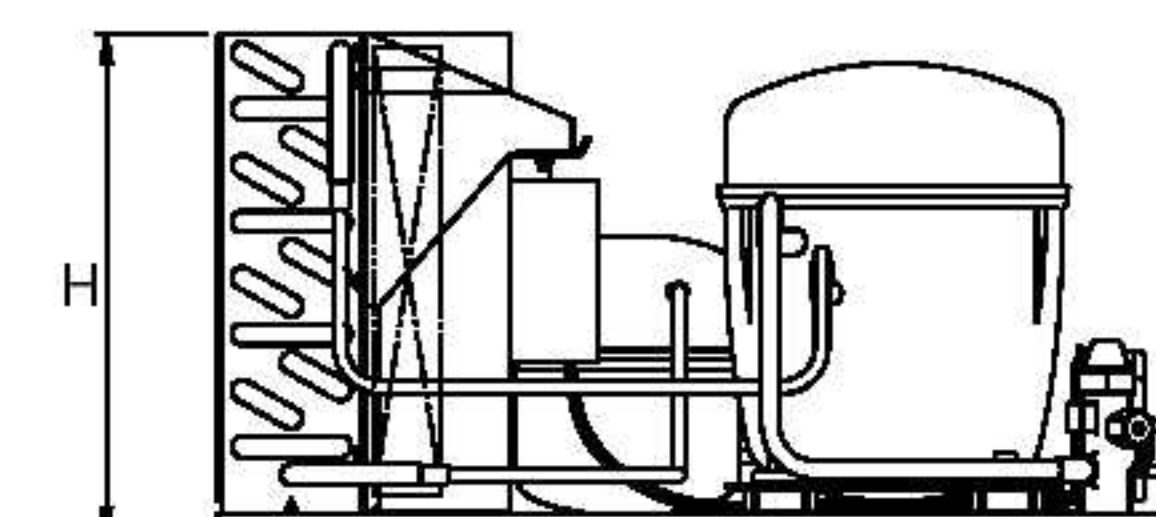
PL



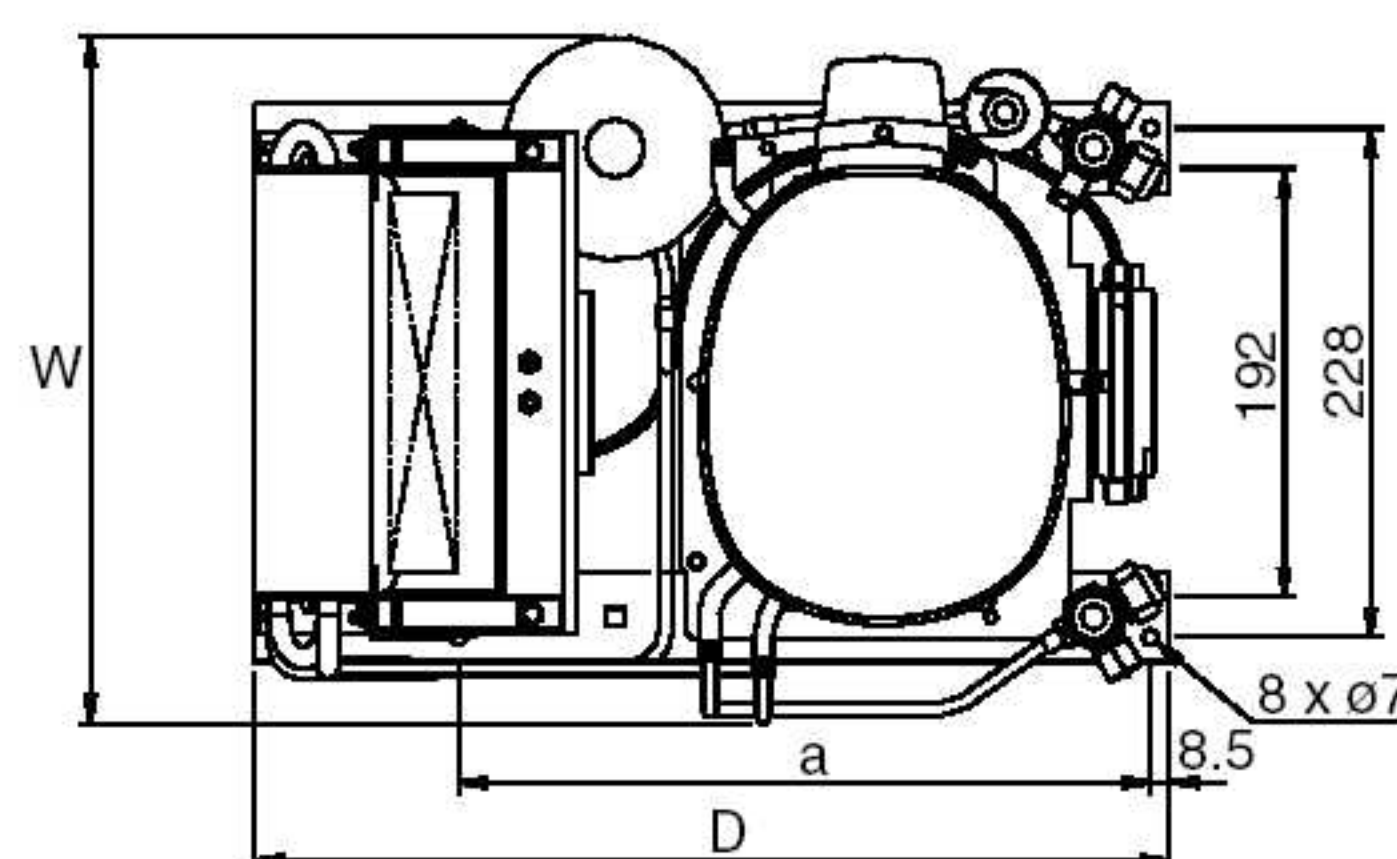
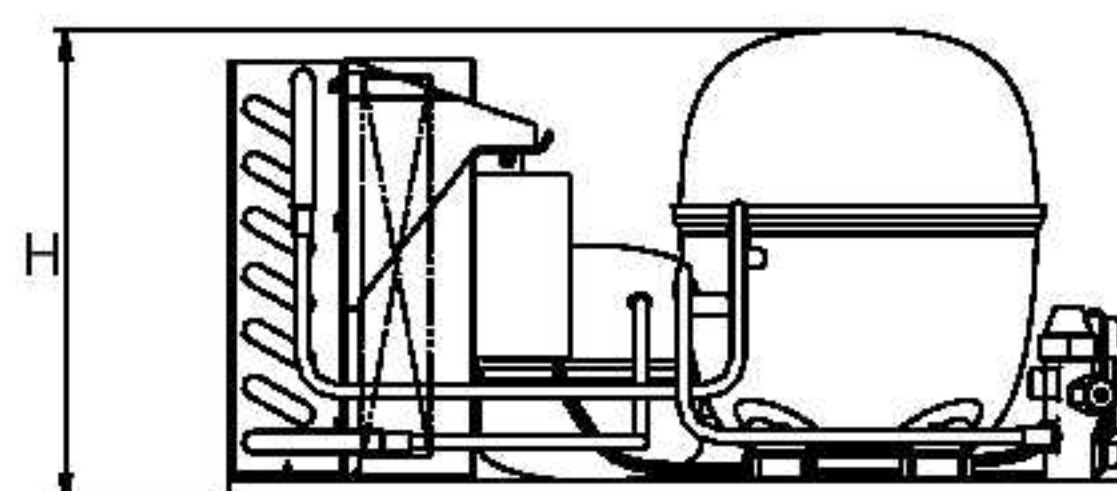
TL



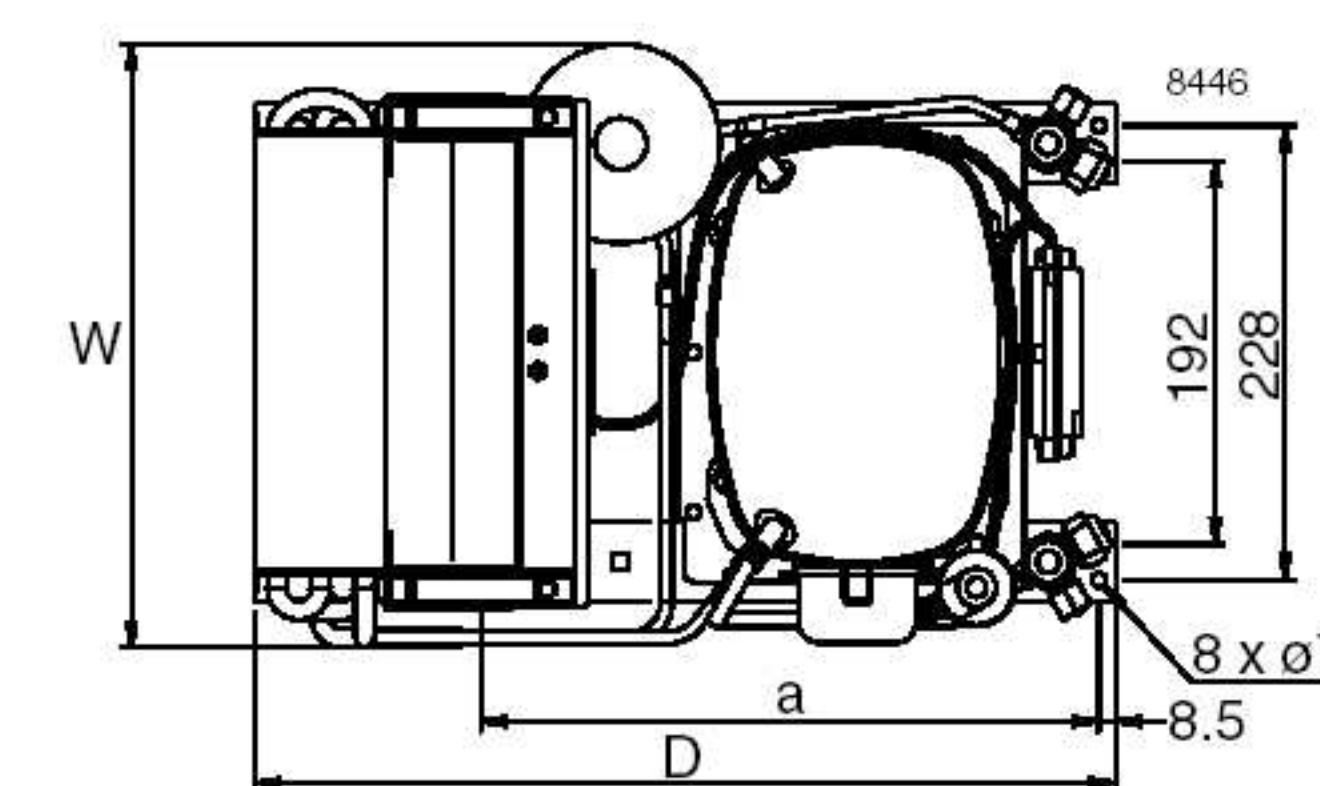
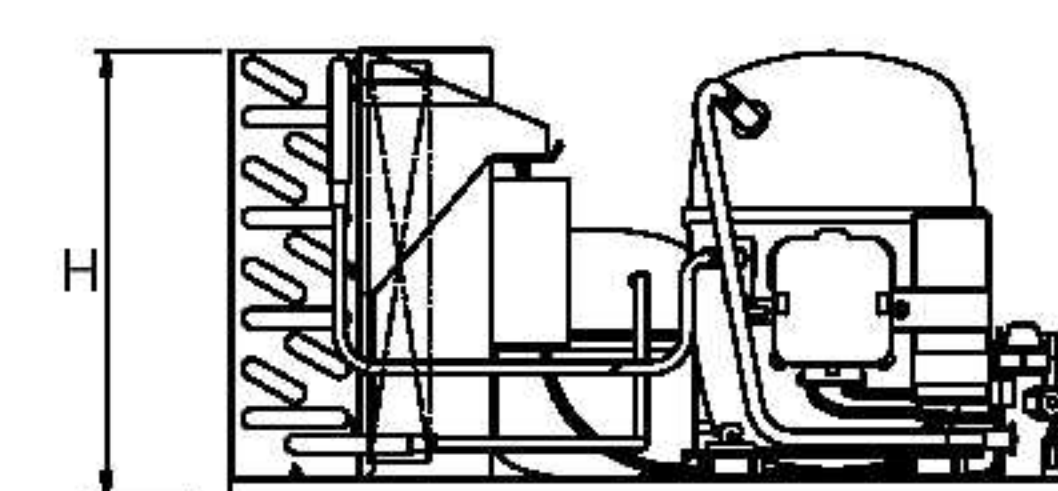
FR



NL



SC



Twin

