

Fig. 1, SCH 50-100

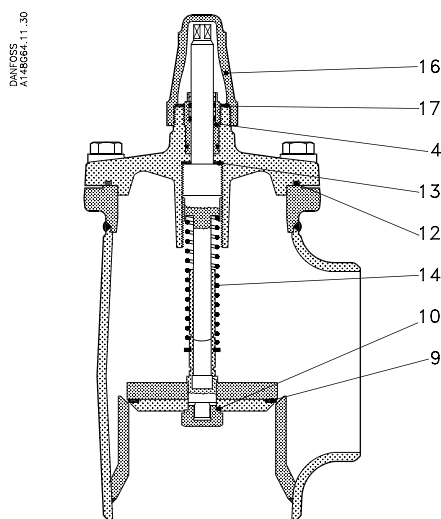


Fig. 2, SCH 125-200

Description	Type	Size 40-50 (1 1/2 - 2 in.)	Size 65-80 (2 1/2-3 in.)	Size 100 (4 in.)	Size 125 (5 in.)	Size 150 (6 in.)	Size 200 (8 in.)
		Code no.	Code no.	Code no.	Code no.	Code no.	Code no.
Spare part kit , for bonnet and cap (dismounting set)	all	148B4081	148B4082	148B4083	148B4084	148B4085	148B4085
Pos. 12 O-ring/gasket (only for size 125) for housing/bonnet							
17 Gasket for cap							
Repair kit , complete set of gaskets	all	3184+112	3184+113	3184+114	3184+115	3184+116	3184+116
Pos. 4a Gaskets complete for packing gland							
9 Gasket for cone							
10 Gasket for cone							
12 O-ring/gasket (only for size 125) for housing/bonnet							
13 Back sealing							
17 Gasket for cap							
Packing gland incl. gaskets (with O-rings)	all	148B4087	148B4088	148B4088	148B4088	148B4089	148B4089
Pos. 4 Packing gland incl. gaskets							
Spring – standard ($\Delta p = 0.05$ bar)	XX3	148G3208	148G3209	148G3210	148G3211	148G3212	148G3212
Pos. 14 Spring							
Spring – special ($\Delta p = 0.3$ bar)	XX9	148G3213	148G3214	148G3215	148G3216	148G3217	148G3217
Pos. 14 Spring							
Cap incl. gasket	–	148B4100	148B4101	148B4101	148B4101	148B4102	148B4102
Pos. 16 Cap incl. gasket							
Top without spring		148G3493	148G3494	148G3495	148G3496	148G3497	148G3498
Grease for packing gland (tube)	–	2452+143	2452+143	2452+143	2452+143	2452+143	2452+143
0.05 bar g = 0.73 psi g							
0.3 bar g = 4.35 psi g							
Note: Type XX1 and XX2, produced from 1994							