

Fig. 1

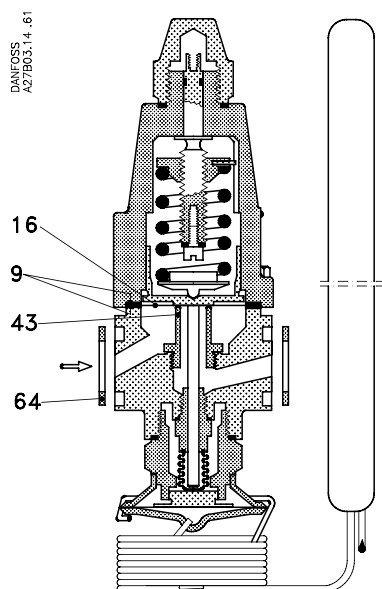


Fig. 2

Description	Qty	Code no.
CVK pressure controlled		
Orifice insert, fig. 1		027B0100
Pos. 9 Gasket	2	
16 Diaphragm	1	
43 Orifice	1	
57 Pin	1	
58 Spring	1	
59 O-ring	1	
60 Guide	1	
66 Ball	1	
Flange gaskets, fig. 1		020-2133
Pos. 64 Gasket	2	
CVKP pressure controlled; with external connection		
Orifice insert, fig. 1		027B0100
Pos. 9 Gasket	2	
16 Diaphragm	1	
43 Orifice	1	
57 Pin	1	
58 Spring	1	
59 O-ring	1	
60 Guide	1	
66 Ball	1	
Connection kit, fig. 1		027B0120
Pos. 6 Nipple	1	
7 Connector	1	
8 Alu gasket	1	
Flange gaskets, fig. 1		020-2133
Pos. 64 Gasket	2	
CVMT temperature controlled		
Repair kit, fig. 2		027B0162
Pos. 9 Gasket	2	
16 Diaphragm	1	
43 Orifice	1	
Flange gaskets, fig. 2		020-2133
Pos. 64 Gasket	2	
Accessory Handwheel for adjustment	1	027B0039