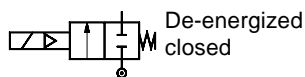


Solenoid valves with isolating diaphragm
2/2-way servo-operated
Type EV222B



Type EV222B
for neutral and aggressive liquids
DN 15-50 SS

G 1/8 - G 2

Features



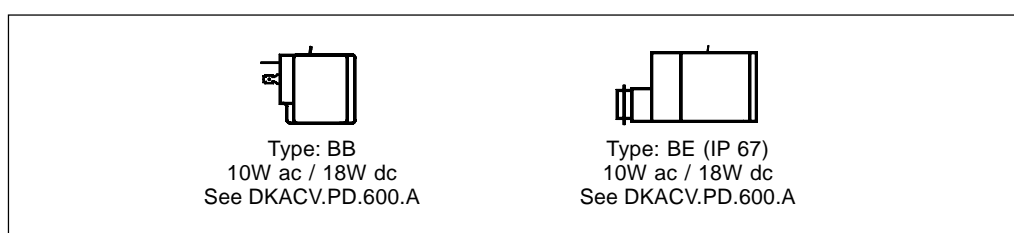
- The isolating diaphragm design ensures that no fluid enters the armature area, which gives the following advantages:
 - the valve is resistant to aggressive fluids, to impurities in the fluid and to calcareous and other scale deposits
- Differential pressure: Up to 16 bar
- Viscosity: Up to 50 cSt
- Ambient temperature: Up to +60°C
- Coil enclosure: Up to IP 67
- Thread connection: From G 1/8 to G 2
- Water hammer damped
- Built in filter for protection of pilot system

Technical data

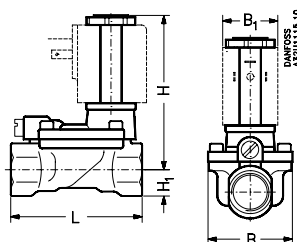
Type	EV222B
Installation	Optional, but vertical solenoid system is recommended
Nominal pressure	PN 10
Differential pressure	0.3 to 10 bar
Max. test pressure	16 bar
Ambient temperature	Max. 60°C (depending on coil type, see below)
Medium temperature	0 to +100°C (Water: +60°C)
Viscosity	Max. 50 cSt
Materials in contact with fluid	
Valve body	W.no. 1.4581 / AISI 318 ¹⁾
Flange for isolating diaphragm	W.no. 1.4404 / AISI 316L ¹⁾
Diaphragm plate	W.no. 1.4301 / AISI 304 ¹⁾
Isolating diaphragm	FKM
Main diaphragm	FKM
O-rings	FKM
Closing spring	W.no. 1.4310 / AISI 301 ¹⁾
Fluid above isolating diaphragm	Silicone oil

¹⁾ W. no. according to DIN 17440

Coil options



Dimensions and weight

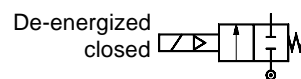


Type	L [mm]	B [mm]	B ₁ [mm]	H ₁ [mm]	H [mm]	Weight without coil [kg]
			Coil type BB/BE			
EV222B 15 SS	80.0	52.0	46	15.0	99.0	0.8
EV222B 20 SS	90.0	58.0	46	18.0	103.0	1.0
EV222B 25 SS	109.0	70.0	46	22.0	113.0	1.4
EV222B 32 SS	120.0	82.0	46	27.0	120.0	2.0
EV222B 40 SS	130.0	95.0	46	32.0	129.0	3.2
EV222B 50 SS	162.0	113.0	46	37.0	135.0	4.3

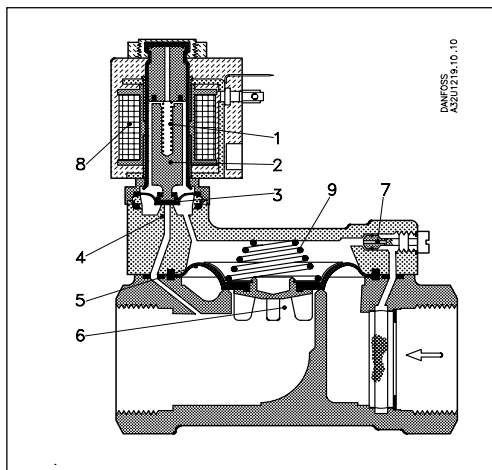
2/2-way solenoid valves with isolating diaphragm

G 1/8 - G 2

Type EV222B
for neutral and aggressive liquids
DN 15-50 SS



Function
EV222B servo-operated



2/2-way servo-operated
When voltage is applied to the coil (8), the armature (2) with the isolating diaphragm (3) is lifted clear of the pilot orifice (4) and the diaphragm (5) is lifted by the fluid pressure - the main orifice (6) opens.

When voltage is disconnected the isolating diaphragm (3) is pressed down against the pilot orifice (4) by the armature spring (1) and pressure is built up above the diaphragm (5) via the equalizing orifice (7). The main orifice (9) is closed by the fluid pressure and the spring (9). The isolating diaphragm keeps the medium away from the actuator.

The space above the isolating diaphragm is filled up with silicone oil.

Ordering - valve body

Con- nection ISO 228/1	Seal material	k _v - value [m ³ /h]	Media temp.		Type designation		Code no. without coil	Permissible diff. pressure (bar)/Coil type		
			Min. [°C]	Max. [°C]	Main type	Specification		Min.	Max. BB/BE	
									10 W ac	18 W dc
G 1/2	FKM ¹⁾	4	0	+100	EV222B 15 SS	G 12F NC000	032U8526	0.3	10	10
G 3/4	FKM ¹⁾	8	0	+100	EV222B 20 SS	G 34F NC000	032U8527	0.3	10	10
G 1	FKM ¹⁾	11	0	+100	EV222B 25 SS	G 1F NC000	032U8528	0.3	10	10
G 1 1/4	FKM ¹⁾	18	0	+100	EV222B 32 SS	G 114F NC000	032U8529	0.3	10	10
G 1 1/2	FKM ¹⁾	24	0	+100	EV220B 40 SS	G 112F NC000	032U8530	0.3	10	10
G 2	FKM ¹⁾	40	0	+100	EV220B 50 SS	G 2F NC000	032U8531	0.3	10	10

¹⁾ Suitable for oil and air. Note: Water max. 60°C!

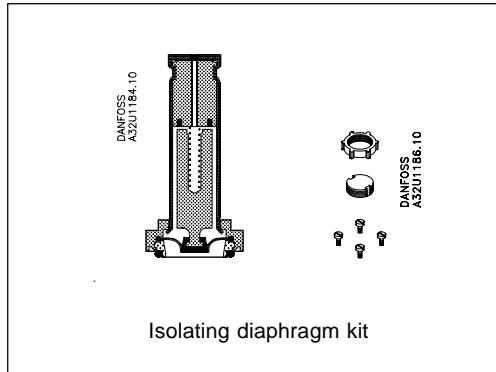
Ordering - coils

See separate data sheet for coils DKACV.PD.600.A

Spare parts

**for solenoid valves
2/2-way with isolating diaphragm
Type EV222B**

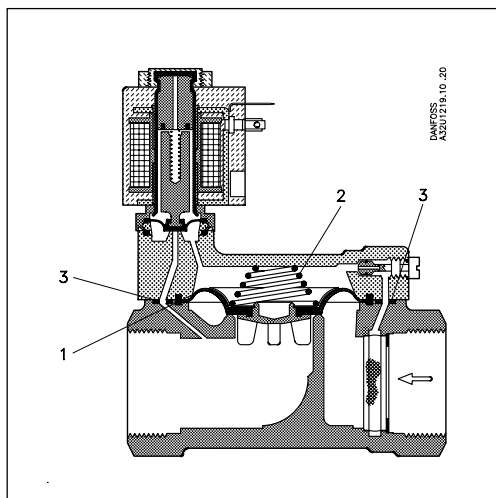
Spare parts



The kit consists of assembled isolating unit, O-ring, 4 screws, locking button and nut for the coil.

Seal material	Code no.
EPDM ¹⁾	042U1009
FKM ²⁾	042U1010

- ¹⁾ Suitable for water.
- ²⁾ Suitable for oil and air. Water max. 60 °C.



Type	Seal material	Code no.
DN15	FKM ¹⁾	032U6326
DN20	FKM ¹⁾	032U6327
DN25	FKM ¹⁾	032U6328
DN32	FKM ¹⁾	032U6329
DN40	FKM ¹⁾	032U6330
DN50	FKM ¹⁾	032U6331

- ¹⁾ Suitable for oil and air. Water max. 60 °C.

The spare part kits comprise a complete diaphragm (1), closing spring (2) and O-rings for the pilot system (3).

Danfoss can accept no responsibility for possible errors in catalogues, brochures and other printed material. Danfoss reserves the right to alter its products without notice. This also applies to products already on order provided that such alterations can be made without consequential changes being necessary in specifications already agreed. All trademarks in this material are property of the respective companies. Danfoss and the Danfoss logotype are trademarks of Danfoss A/S. All rights reserved.