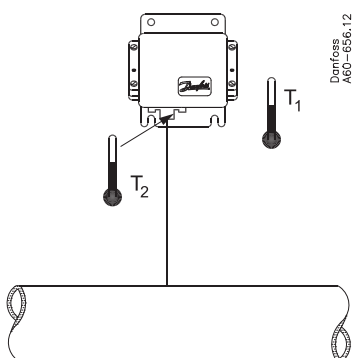
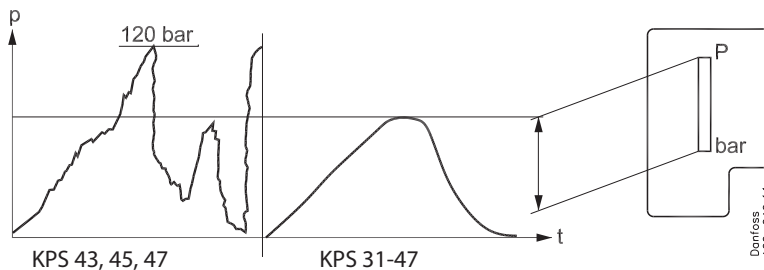
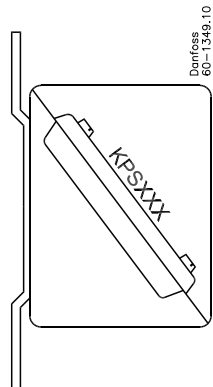
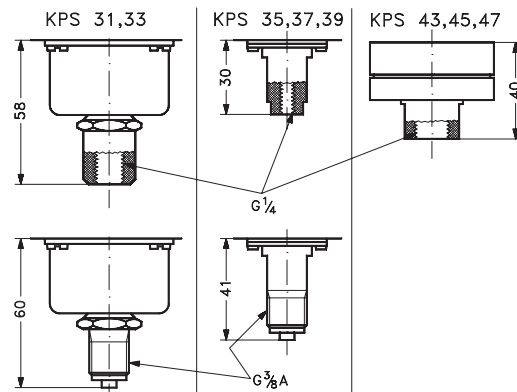
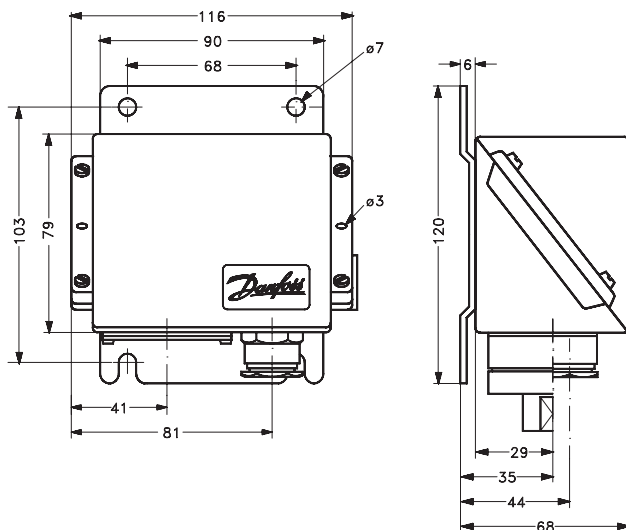


Regulatory ciśnienia, presostaty KPS 31 - 47

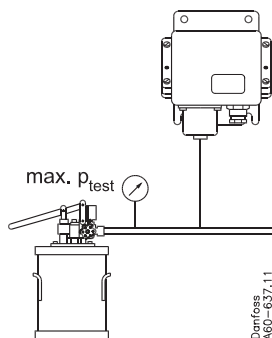
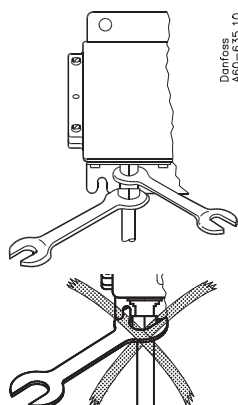


	T ₁ min. (°C)	T ₂ max. (°C)	T ₂ max. (°C)	T ₂ max. (°C)
KPS 31, 33, 35, 37, 39	-40	-40	70	100
KPS 43, 45, 47	-25	-25		

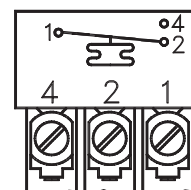
T₂ max. woda: 60°C



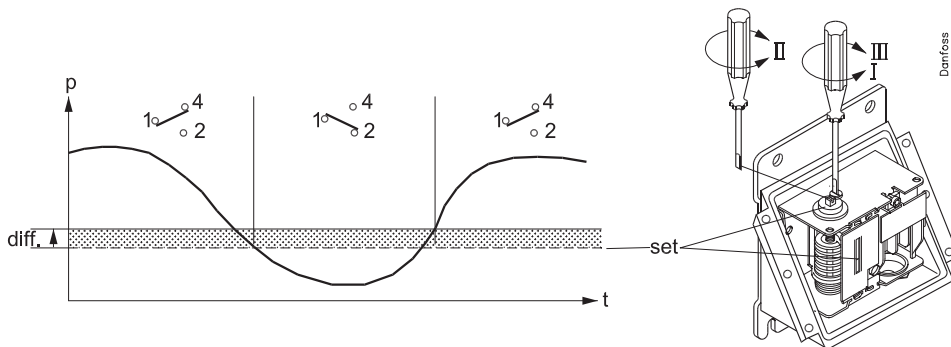
DANFOSS
A60-661.10



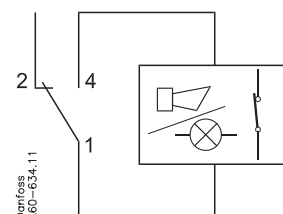
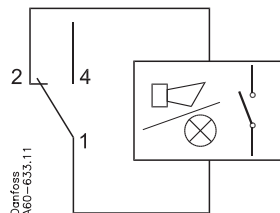
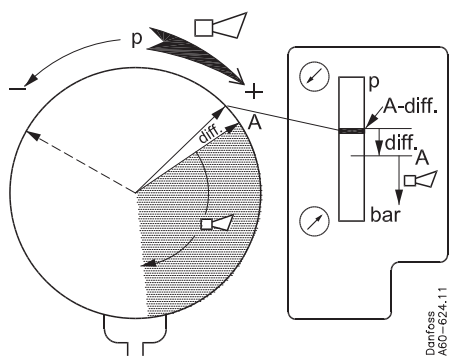
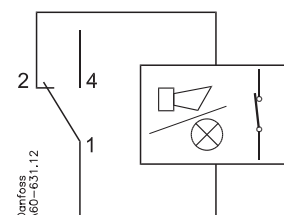
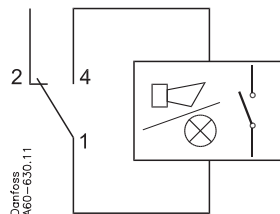
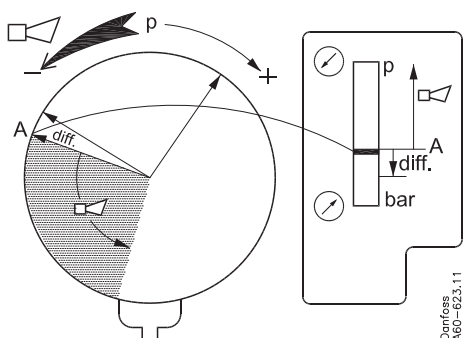
	P (bar)
KPS 31	6
KPS 33	10
KPS 35	12
KPS 37	27
KPS 39	53
KPS 43	180
KPS 45	180
KPS 47	180

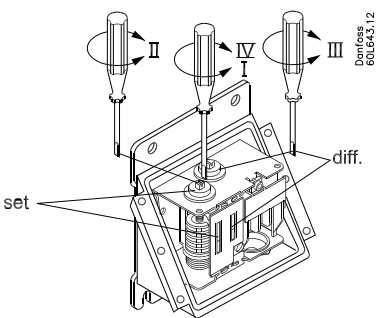
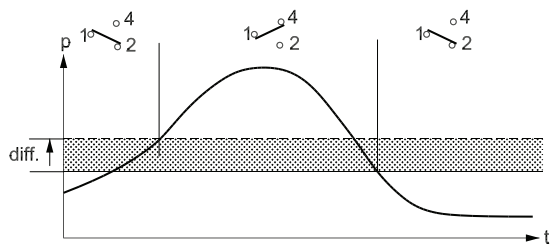


10(6) A, 440 V a.c. L.R. 50A
220V, 12 W d.c. PILOT

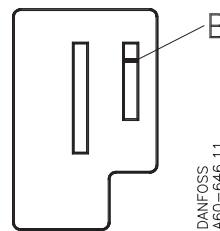
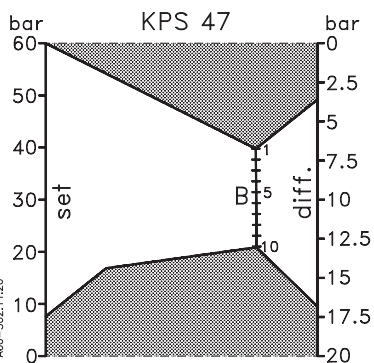
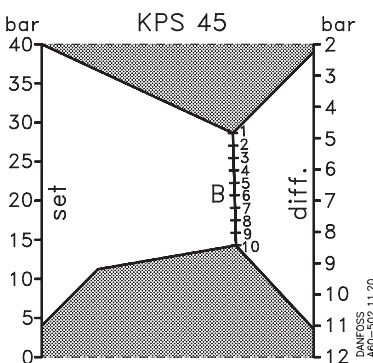
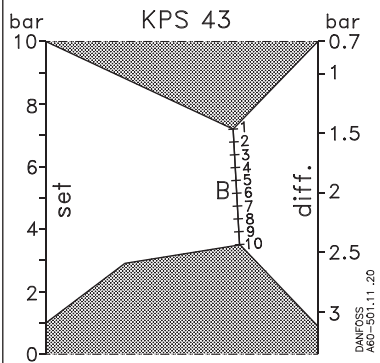


	Mech. różn. zał. diff (bar)
KPS 31	0.1

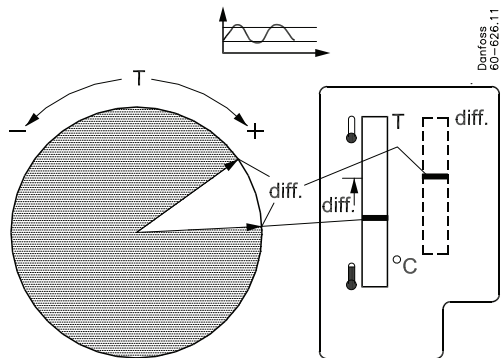




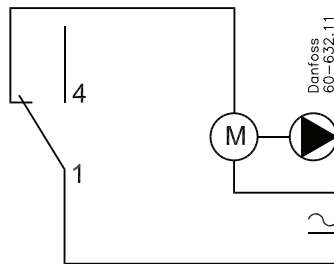
	Diff. (bar)
KPS 33	0.2
KPS 35 (060-3108)	0.4



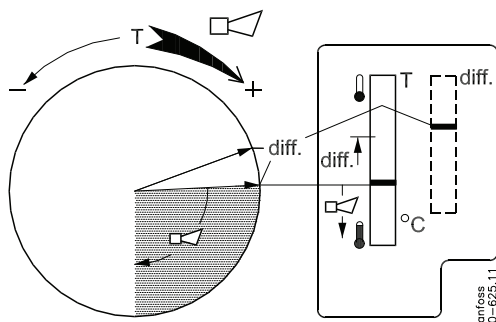
DANFOSS
A60-846.11



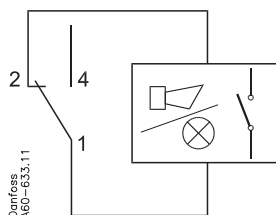
Danfoss
60-626.11



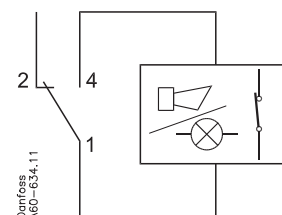
Danfoss
60-632.11



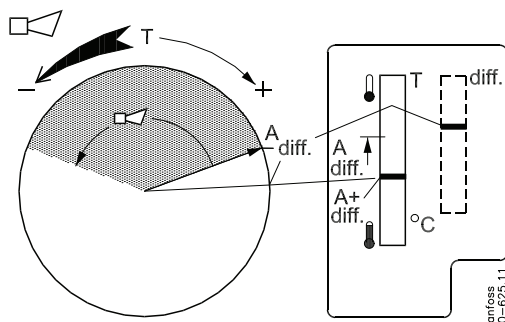
Danfoss
60-625.11



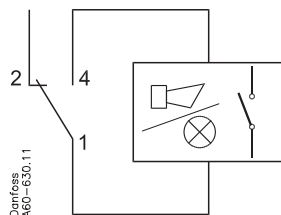
Danfoss
A60-633.11



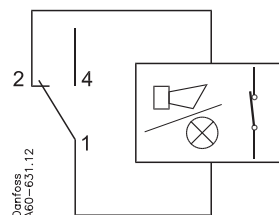
Danfoss
A60-634.11



Danfoss
60-625.11



Danfoss
A60-630.11



Danfoss
A60-631.12