

## Nessie® VDHT 2/2 way solenoid valves for high pressure and small flows

2/2 way Solenoid Valves with 1/4" connections



### Applications

The valves are designed for applications with neutral and most aggressive fluids compatible with sealings and O-ring used. Typical media are water, cleaning fluid, neutral and aggressive gases.

The valves are used in applications like humidification high pressure water mist systems, dust binding, high pressure cleaning and self serve car wash systems.

### Function

The solenoid valves are servo operated. They are electrical activated by electrical coils to open and close.

### Benefits

- Corrosion proof
- Reliability
- Low pressure drop
- Coned shape piston design prevents leakage
- High temperature resistant
- Dirt tolerant
- High coil density IP67/NEMA 4X

### Standard version

The valve housing is made of stainless steel AISI 304 and the piston of stainless steel AISI 316.

The 1/4" inline valves are with a straight flow through the valve.

The valves are delivered with PTFE piston sealing and PTFE piston insert, and as standard the valves are supplied with FPM (Viton) o-rings. Both BSPP and NPT are standard threads

**Data Sheet**
**Nessie® VDHT 2/2 way solenoid valves for high pressure and small flows**
**Temperature**

Medium temperature: 2-90°C (35-200°F)

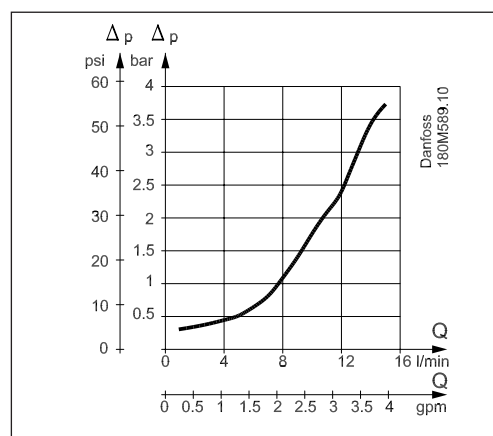
Ambient temperature: 2-80°C (35-175°F)

**Technical Data**

	VDHT ¼ E 2/2 NC
Max inlet pressure	100 bar (1450 psi) *
Operating pressure	0,3 bar (4 psi)
Opening time at 15 l/m ~ 4 GPM	100-200 ms
Closing time at 15 l/m ~ 4 GPM	100-200 ms
Connection	¼"
Weight excl. coil	520 gram (1.15 lbs)

\* For higher pressure, please contact Danfoss High Pressure Water Solutions

Pressure drop at different flows:


**Code Numbers**

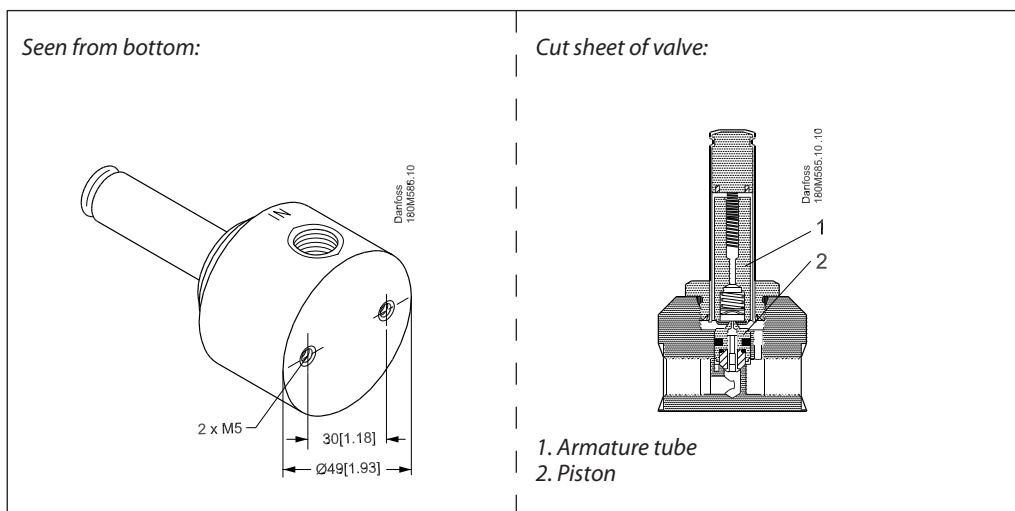
Valves (without coils)	Passage in valve	Port size	O-ring material	Max pressure	Code No.
VDHT ¼ E 2/2 NC NPT	Straight	NPT ¼"	FPM (viton)	100 bar (1450 psi)	180L0243
VDHT ¼ E 2/2 NC BSPP	Straight	G ¼"	FPM (viton)	100 bar (1450 psi)	180L0241
VDHT ¼ E 2/2 NO NPT	Straight	NPT ¼"	FPM (viton)	100 bar (1450 psi)	180L0244
VDHT ¼ E 2/2 NO BSPP	Straight	G ¼"	FPM (viton)	100 bar (1450 psi)	180L0242

Valves are delivered without coils. Coils must be ordered separately.

Coils	Voltage	Code No.
10 Watt AC with integrated terminal box	24V 50 Hz	018F7920
10 Watt AC with integrated terminal box	220V 50 Hz	018F7921
10 Watt AC with integrated terminal box	240V 50 Hz	018F7924
10 Watt AC with integrated terminal box	24V 60 Hz	018F7922
10 Watt AC with integrated terminal box	110V 50/60 Hz	018F7923
10 Watt AC with integrated terminal box	EEX 220V 50 Hz	018F7992
18 Watt DC with integrated terminal box	12V DC	018F7913
18 Watt DC with integrated terminal box	24V DC	018F7914
18 Watt DC with DIN spade terminal	24V DC	018F7928

Dimensions, mm [in]

VDHT ¼" E 2/2



Spare parts

Spare part kit	Code No.
Armature kit NO (position 1)	180L5013
Armature kit NC (position 1)	180L5002
Piston spare part kit (position 2)	180Z0251

---

Danfoss can accept no responsibility for possible errors in catalogues, brochures and other printed material. Danfoss reserves the right to alter its products without notice. This also applies to products already on order provided that such alterations can be made without subsequential changes being necessary in specifications already agreed. All trademarks in this material are property of the respective companies. Danfoss and the Danfoss logotype are trademarks of Danfoss A/S. All rights reserved.

---

