

Catalogue

Spare parts



Refrigeration and Air Conditioning Controls

Spare parts

Dear customer,

In this new catalogue, RK.0X.G4, we present the spare parts for a wide range of valves and controls for liquid injection, shut-off, pressure and temperature regulation, and electromechanical or self-acting safety and service components.

This catalogue is an update of the versions RK.0X.G1, RK.0X.G2 and RK.0X.G3.

The individual spare parts data sheets as well as our product data sheets can all be downloaded from our web site:

<http://literature.danfoss.com/ac/ac/index.asp>

Where quality, manufacture and flexibility are concerned, our products fully live up to the demands of today. They are used all over the world in both land-based and maritime applications, e.g. in shop and supermarket refrigeration, beverage and food production, catering, food distribution and storage, air conditioning, freezing, process refrigeration, containers for ships and refrigerated vehicles.

We hope the new catalogue will interest you. If you are unable to find the spare parts you require, or have any questions regarding the spare part selection, please contact your local Danfoss dealer. They are always ready to offer assistance.

Spare parts

Refrigeration and Air Conditioning

Product description	Type	Page	Product description	Type	Page
Expansion valves			Liquid level controls		
Thermostatic expansion valves	T 2, TE 2 - TE 55	5	Thermostatic liquid level regulator	TEVA	129
Thermostatic expansion valves	PHT	9	Pilot float valves / Liquid level regulators	SV 1 - 6	130
Thermostatic expansion valves	TUA/TUAE	10	High pressure float valves	HFI	132
Thermostatic expansion valves	TUB/TUBE, TUC/TUCE	11	Liquid level regulators	PMFL, PMFH	133
Thermostatic expansion valves	TC	12	Liquid level alarms, liquid level regulators	RT 280A - 281A	138
Thermostatic injection valve for ammonia	TEA	13	Electronic liquid level regulator	38E	139
Electronic expansion valve for ammonia	TEAQ	14	Liquid level glasses	LLG, LLG-S, LLG-F LLG-SF 185 - 1550	140
Thermostatic injection valve for ammonia	TEAT	15	Water valves		
Electronic expansion valves	AKV 10 - 20	16	Condensing pressure regulator (water valve)	WVFM, WVFX, WVO, WVS, WVTS	141
Electronic expansion valves	AKVA 10 - 20	19	Stop valves		
Solenoid valves			Shut-off valve	BM	149
Solenoid valves	EVR 2 - 40	23	Stop needle valves	SNV 8	150
Solenoid valves	EVRA 3 - 40	34	Stop valves	SVA-ST & SVA-LT 3 - 40	151
Solenoid valves	EVRA 10 - 20	44		SVA-ST & SVA-LT 50 - 200	152
Solenoid valves	EVRC 10 - 20	50	Stop valves	SCV 25 - 200	153
Stainless steel solenoid valves	EVRS 3 - 20	52		SCV 250 - 300	154
	EVRS 10 - 20	54	Stop valves	STV 250 - 300	155
Solenoid valves	EVSA 25 - 50	55	Stop/check and check valves		
Solenoid valves	EVSI 65 - 100	56	Check valves	CHV 15 - 40	157
Solenoid valves	EVSR 10 - 22	57	Stop check valves	SCH 15 - 40	158
Solenoid valves	PKVD 12 - 20	58	Check valves	SCH 40 - 200	159
Solenoid valve	PML	59	Check valves	NRVA	160
Solenoid valves, two-step on/off	PMLX	64	Miscellaneous		
Gas powered stop valves	GPS 40 - 150	68	Hand regulating valves	REG 3 - 40	161
Pressure and temperature regulators			Overflow valves	OFV 20 - 25	162
Evaporating pressure regulator	KVP	71	Quick closing oil drain valve	QDV 15	163
Evaporating pressure regulators	PKV, PKVS	72	Dual stop valves	DSV 15	164
Electronically controlled temperature regulator	KVQ	74		DSV 32	165
Condensing pressure regulator	KVR	75	Filter driers	DCR	166
Capacity regulator (hot gas bypass)	KVC	76	Strainers	FA	168
Capacity regulator	CPCE 12 - 22	77	Filter	FIL 10 - 40	169
Capacity regulator (hot gas bypass)	PMC 5 - 20	78	Filter	STA 40 - 300	170
Receiver pressure regulator	KVD 12 - 15	82	Oil separators	OUB	171
Main valves	PM 1 and 3	83	Block valve	BV 1 - 2	172
Pilot valves	CVP, CVPP, CVC, CVT, CVPM, CVMM, EVM, CVM, CVML, CVMH, CVMQ, CVMP, CVMQ, CVK, CVKP, CVMT	90			
Constant pressure valve	CVMD	96			
Flanges / bolts / nuts					
Flanges, flanges and gaskets, staybolts, nuts and flange gaskets		97			
Pressure controls, thermostats					
Pressure controls	KP	121			
Thermostats	KP	123			
Pressure controls	RT	124			
Thermostats	RT	126			
Differential pressure controls	MP 54, 55, 55A	127			

Type	Page
38E	139
AKV	16
AKVA	19
BM	149
BV	172
CHV	157
CPCE	77
CVC	80, 90
CVK	95
CVKP	95
CVM	94
CVMD	96
CVMH	94
CVML	94
CVMM	91
CVMO	94
CVMP	94
CVMQ	94
CVMT	95
CVP	90
CVPM	91
CVPP	90
CVT	90
DCR	166
DSV	164
EVM	80, 92
EVR	23
EVRA	34
EVRAT	44
EVRC	50
EVRS	52
EVRST	54
EVSA	55
EVSI	56
EVSR	57
FA	168
Flanges, bolts and nuts	97
FIL	169
GPS	68
HFI	132
KP	121
KVC	76
KVD	82
KVP	71
KVQ	74
KVR	75

Type	Page
LLG	140
MP	127
NRVA	160
OFV	162
OUB	171
PHT	9
PKV	72
PKVS	72
PKVD	58
PM	83
PMC	78, 81
PMFH	135, 137
PMFL	133, 137
PML	59
PMLX	64
QDV	163
REG	161
RT	124, 138
SCH	158, 159
SCV	153, 154
SNV	150
STA	170
STV	155
SV	130
SVA-LT	151, 152
SVA-ST	151, 152
T, TE	5
TEA	13
TEAQ	14
TEAT	15
TEVA	129
TC	12
TUA	10
TUAE	10
TUB	11
TUBE	11
TUC	11
TUCE	11
WVFM	141
WVFX	141
WVO	143
WVS	144
WVTS	144

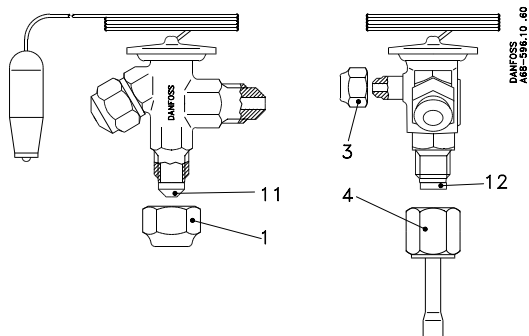


Fig. 1

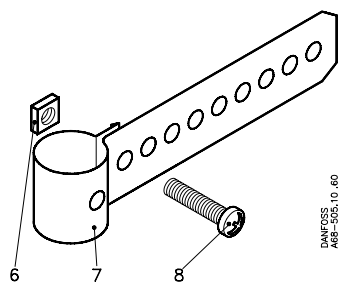


Fig. 2

Description	Qty	Min. delivery qty (industrial pack)	Code no.
Filter, fig. 1			
pos.11 Filter	1		068-0080
11 Filter		25	068-0003
12 Filter	1		068-0081
for flare-solder adaptor only			
12 Filter		20	068-0015
for flare-solder adaptor only			
Reducer flare nut, fig. 1			
pos. 1 $\frac{3}{8}$ in. - $\frac{1}{4}$ in. / 6 mm		10	011L1107
Flare nut, fig. 1			
pos. 1 $\frac{3}{8}$ in. or 10 mm		10	011L1135
2 $\frac{1}{2}$ in. or 12 mm		10	011L1103
3 $\frac{1}{4}$ in. or 6 mm		10	011L1101
Flare-solder adaptor, fig. 1			
pos. 4 $\frac{1}{4}$ in.	1		068-2062
4 $\frac{3}{8}$ in.	1		068-2060
4 6 mm	1		068-2063
4 10 mm	1		068-2061
Accessories			
Bulb strap, fig. 2			
for max. dia. 22 mm tube			
pos. 6 Nut	1		068-1211
7 Strap	1		
8 Screw	1		
Bulb strap, fig. 2			
for max. dia. 22 mm tube			
pos. 6 Nut		48	068N2532
7 Strap		48	
8 Screw		48	
Bulb strap, fig. 2			
for max. dia. 35 mm tube			
pos. 6 Nut	1		068-1212
7 Strap	1		
8 Screw	1		
Bulb strap, fig. 2			
for max. dia. 35 mm tube			
pos. 6 Nut		48	068-1230
7 Strap		48	
8 Screw		48	

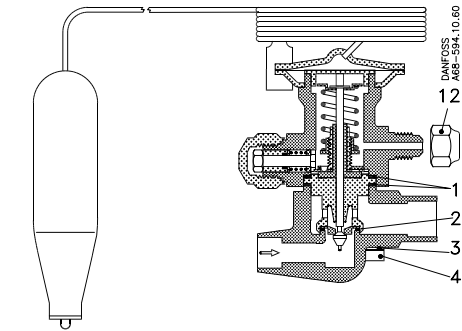


Fig. 1

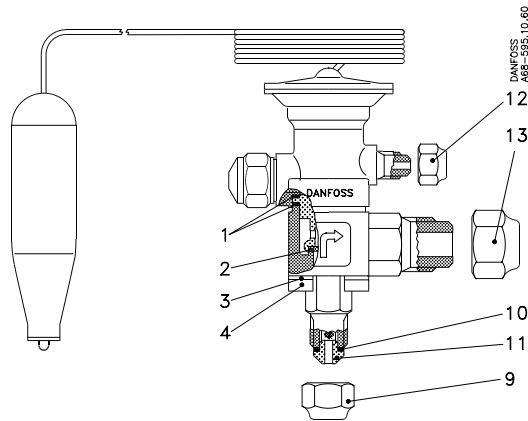


Fig. 2

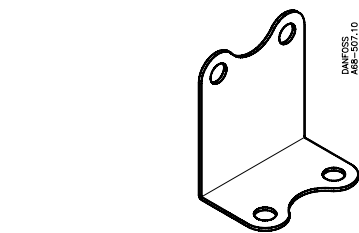


Fig. 3

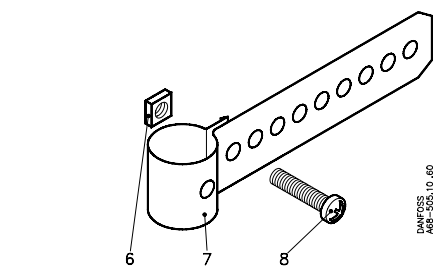


Fig. 4

Description	Qty	Min. delivery qty (industrial pack)	Code no.
Seal kit, figs. 1 and 2			068B0675
pos. 1 Gasket	2		
2 O-ring	1		
Filter assembly, fig. 2			068B0171
pos.10 Gasket	1		
11 Filter	1		
Reducer flare nut, fig. 2		10	011L1142
pos. 9 1/2 in. - 3/8 in. / 10 mm			
Flare nut, fig. 2		10	011L1103
pos. 9 1/2 in. or 12 mm			
13 5/8 in., 15 or 16 mm	10		011L1167
12 1/4 in. or 6 mm	10		011L1101
Screws and washers, fig. 2			068B0018
pos. 3 Stainless steel washer	4		
4 Stainless steel screw	4		
Accessories			
Mounting bracket, fig. 3	1		068B0425
Bulb strap, fig. 4			068-1212
for max. dia. 35 mm tube			
pos. 6 Nut	1		
pos. 7 Strap	1		
pos. 8 Screw	1		
Bulb strap, fig. 4			068-1230
for max. dia. 35 mm tube			
pos. 6 Nut		48	
pos. 7 Strap		48	
pos. 8 Screw		48	

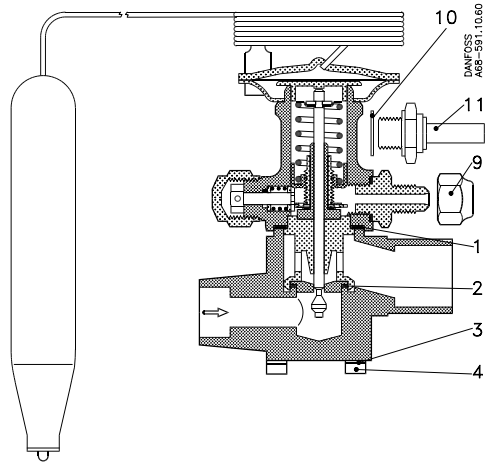


Fig. 1

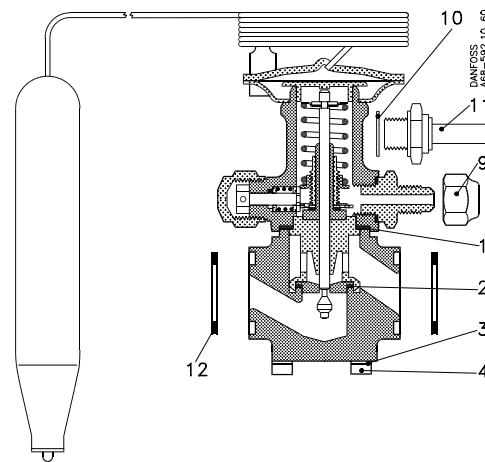


Fig. 2

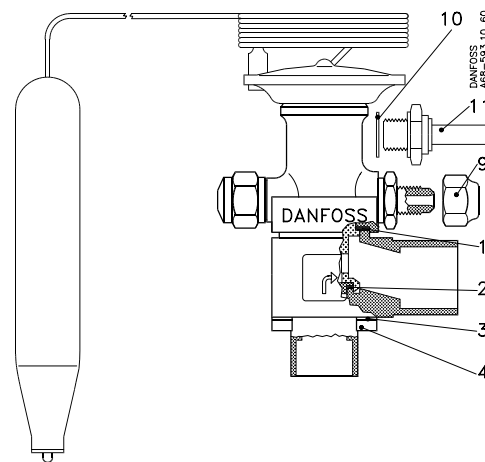


Fig. 3

Description	Qty	Min. delivery qty (industrial pack)	Code no.
-------------	-----	-------------------------------------	----------

Seal kit, figs. 1, 2 and 3

- pos. 1 Gasket 1
- 2 O-ring 1

068B0676

Flange gasket, fig. 2

- pos.12 for TE 12 2

020-2133

Flare nut, figs. 1, 2 and 3

- pos. 9 1/4 in. or 6 mm 10

011L1101

Solder connector, figs. 1, 2 and 3

- for 1/4 in. ext. equalization line
- pos.10 Gasket 1
- 11 Connector 1

068B0170

Screws and washers, figs. 1, 2 and 3

- for straightway and flange bodies
- pos. 3 Stainless steel washer 4
- 4 Stainless steel screw 4

068B0017

Screws and washers, fig. 3

- for angleway bodies
- pos. 3 Stainless steel washer 4
- 4 Stainless steel screw 4

068B0018

Accessories

Mounting bracket, fig. 4

1

068B0350

Bulb strap, fig. 5

for max. dia. 35 mm tube

- pos. 6 Nut 1
- 7 Strap 1
- 8 Screw 1

068-1212

Bulb strap, fig. 5

for max. dia. 35 mm tube

- pos. 6 Nut 48
- 7 Strap 48
- 8 Screw 48

068-1230

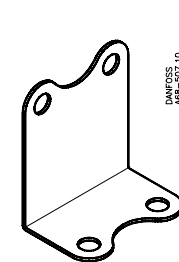


Fig. 4

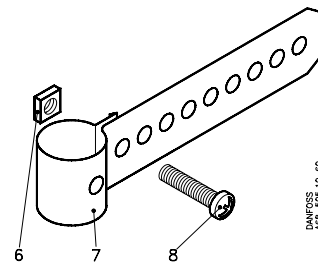


Fig. 5

Description	Qty	Min. delivery qty (industrial pack)	Code no.
Seal kit, figs. 1 and 2			068G0050
pos. 3 Gasket	1		
4 Gasket	1		
5 O-ring	1		
Flare nut, figs. 1 and 2		10	011L1101
pos. 9 1/4 in. or 6 mm			
Solder connector, figs. 1 and 2 for 1/4 in. external equalization line			068B0170
pos. 10 Gasket	1		
11 Connector	1		
Screws and washers, fig. 2			068B0020
pos. 1 Screw	4		
2 Washer	4		
Screws and washers, fig. 2			068B0514
pos. 1 Stainless steel screw	4		
2 Stainless steel washer	4		
Accessories			
Bulb strap, fig. 3 for max. dia. 35 mm tube			068-1212
pos. 6 Nut	1		
7 Strap	1		
8 Screw	1		
Bulb strap, fig. 3 for max. dia. 35 mm tube			068-1230
pos. 6 Nut		48	
7 Strap		48	
8 Screw		48	
Bulb strap, fig. 3 extra long			26H0218
pos. 6 Nut	1		
7 Strap	1		
8 Screw	1		

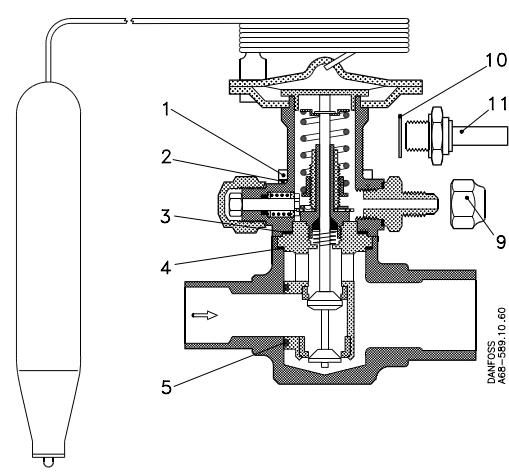


Fig. 1

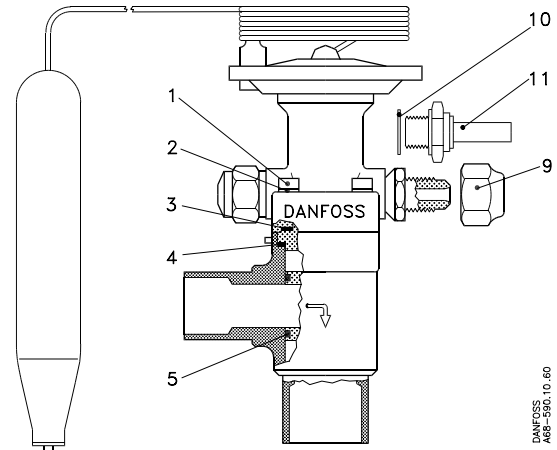


Fig. 2

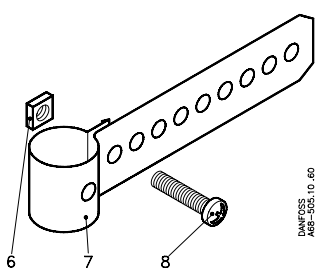
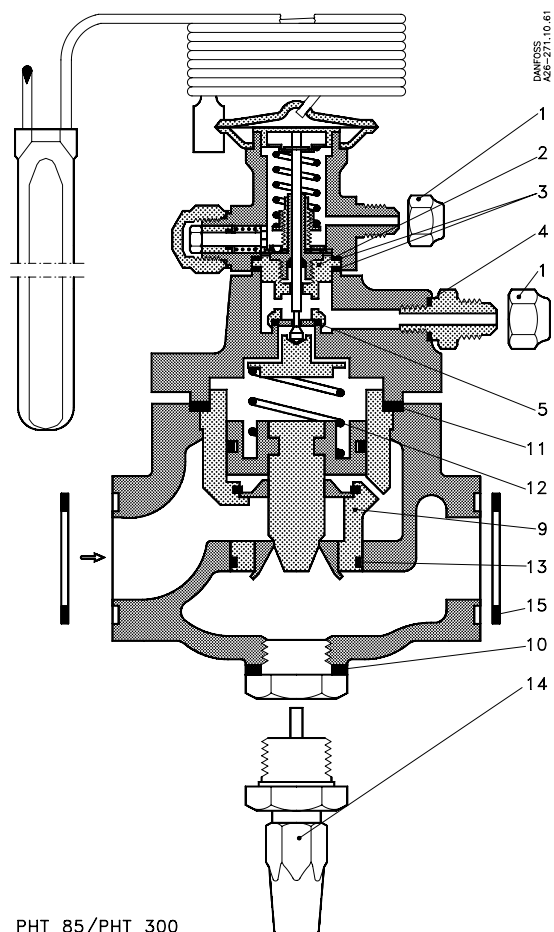


Fig. 3



PHT 85/PHT 300

Fig. 1

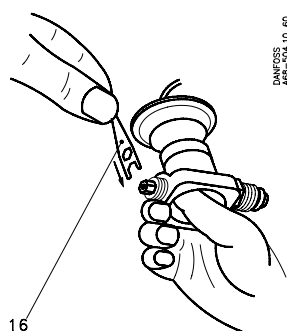


Fig. 2

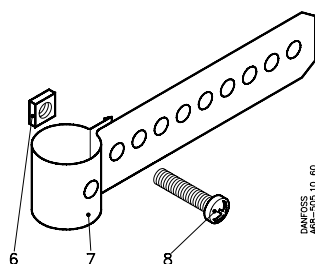


Fig. 3

Description	Qty	Code no.	Code no.	Code no.
		PHT 85	PHT 125	PHT 300
Insert assembly, fig. 1				
Insert assembly no. 1		026H1101	026H2183	026H2184
Insert assembly no. 2		026H1102		026H2185
Insert assembly no. 3		026H1103		
Insert assembly no. 4		026H1104		
pos.11 Gasket	1			
13 O-ring	1			
9 Insert	1			
Seal kit, fig. 1				
pos. 3 Gasket	2	026H0052	026H0053	026H0054
4 Gasket	1			
5 O-ring	1			
10 Gasket	1			
11 Gasket	1			
13 O-ring	1			
15 Flange gasket	2			
Main spring assembly, fig. 1				
Main spring assembly, no. 1, with P band 0.3 bar		026H0561		
Main spring assembly, no. 2, with P band 0.5 bar		026H0562		
Main spring assembly, no. 3, with P band 0.7 bar		026H0563	026H0567	026H0571
Main spring assembly, no. 4, with P band 0.9 bar		026H0564	026H0568	026H0572
Main spring assembly, no. 5, with P band 1.1 bar		026H0565	026H0569	026H0573
Main spring assembly, no. 6, with P band 1.3 bar		026H0566	026H0570	026H0574
pos.11 Gasket	1			
12 Main spring	1			
Pilot orifice, figs. 1 and 2 for PHT 85, 200 and 300				
pos. 2 Orifice no. 1	1	068B2089	068B2089	068B2089
pos. 3 Gasket	2			
pos. 5 O-ring	1			
pos.16 Adjustment key (fig. 2)	1			
Man. opening spindle, fig. 1 for PHT 85				
pos.10 Gasket	1	026H0222	026H0222	026H0222
14 Manual opening spindle	1			
Flare nut, fig. 1				
pos. 1 1/4 in. or 6 mm	10	011L1101	011L1101	011L1101
Accessories				
Bulb strap, fig. 3 for max. dia. 35 mm tube				
pos. 6 Nut	1	068-1212	068-1212	068-1212
7 Strap	1			
8 Screw	1			
Bulb strap, fig. 3 extra long				
pos. 6 Nut	1	26H0218	26H0218	26H0218
7 Strap	1			
8 Screw	1			

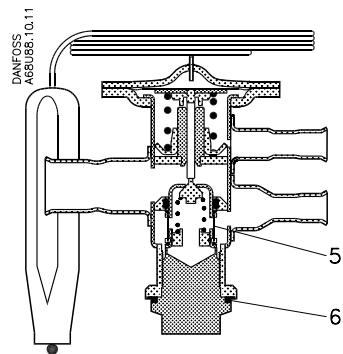


Fig. 1

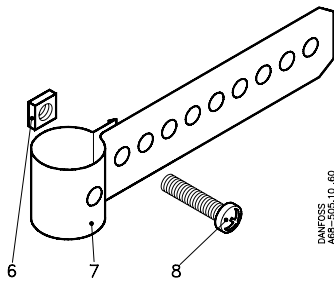


Fig. 2

Description	Qty	Min. delivery qty (industrial pack)	Code no.
Filter, fig. 1			
5 Filter		24	068U0015
Gasket, fig. 1			
6 Gasket		24	068U0016
Accessories			
Bulb strap, fig. 2 for max. dia. 22 mm tube			068-1211
6 Nut	1		
7 Strap	1		
8 Screw	1		
Bulb strap, fig. 2 for max. dia. 22 mm tube			068N2532
6 Nut		48	
7 Strap		48	
8 Screw		48	
Bulb strap, fig. 2 for max. dia. 35 mm tube			068-1212
6 Nut	1		
7 Strap	1		
8 Screw	1		
Bulb strap, fig. 2 for max. dia. 35 mm tube			068-1230
6 Nut		48	
7 Strap		48	
8 Screw		48	

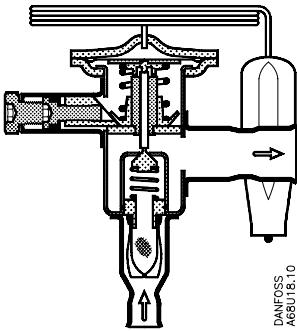


Fig. 1

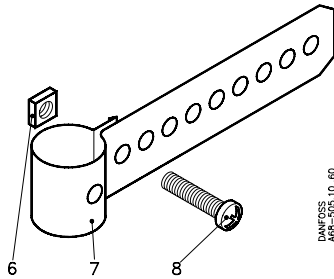


Fig. 2

Description	Qty	Min. delivery qty (industrial pack)	Code no.
Accessories			
Bulb strap, fig 2 for max. dia. 22 mm tube			068-1211
Pos. 6 Nut	1		
7 Strap	1		
8 Screw	1		
Bulb strap, fig 2 for max. dia. 22 mm tube			068N2532
Pos. 6 Nut		48	
7 Strap		48	
8 Screw		48	
Bulb strap, fig 2 for max. dia. 35 mm tube			068-1212
Pos. 6 Nut	1		
7 Strap	1		
8 Screw	1		
Bulb strap, fig 2 for max. dia. 35 mm tube			068-1230
Pos. 6 Nut		48	
7 Strap		48	
8 Screw		48	

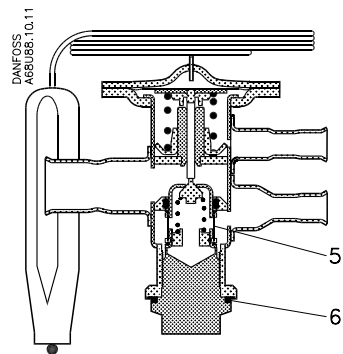


Fig. 1 TCA

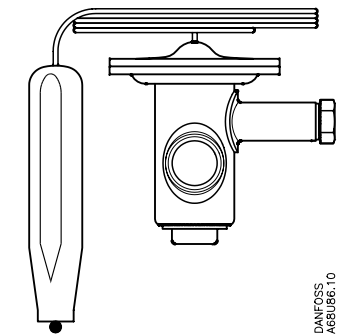


Fig. 2 TCB

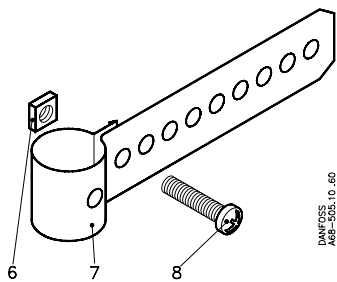


Fig. 3 Bulb strap

Description	Qty (industrial pack)	Min. delivery qty	Code no.
TCA/TCAE, fig. 1			
Filter			
Pos. 5 Filter		24	068U0016
Gasket, fig. 1			
Pos. 6 Gasket		24	068U0015
Accessories for TCA/TCAE and TCB/TCBE			
Bulb strap, fig. 3 for max. dia. 22 mm tube			
Pos. 6 Nut	1		068-1211
7 Strap	1		
8 Screw	1		
Bulb strap, fig. 3 for max. dia. 22 mm tube			
Pos. 6 Nut		48	068N2532
7 Strap		48	
8 Screw		48	
Bulb strap, fig. 3 for max. dia. 35 mm tube			
Pos. 6 Nut	1		068-1212
7 Strap	1		
8 Screw	1		
Bulb strap, fig. 3 for max. dia. 35 mm tube			
Pos. 6 Nut		48	068-1230
7 Strap		48	
8 Screw		48	
Bulb strap, fig. 3 Extra long			
Pos. 6 Nut	1		026H0218
7 Strap	1		
8 Screw	1		

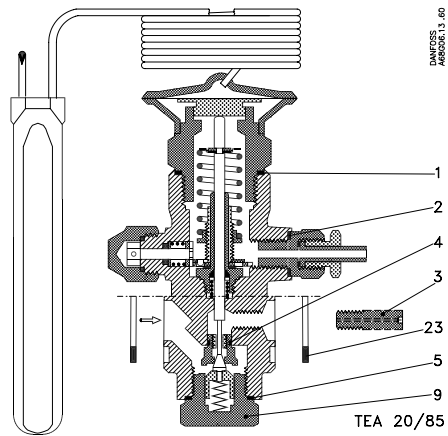


Fig. 1, TEA

Description	Qty	Code no.	Code no.	Code no.
Orifice assembly, fig. 1				1 TR 068G2050
Pos. 3 Damping orifice	1			
4 O-ring	1			
5 Gasket	1			
9 Orifice assembly	1			
Orifice assembly, fig. 1		2 TR 068G2051	3 TR 068G2052	5TR 068G2053
Pos. 4 O-ring	1			
5 Gasket	1			
9 Orifice assembly	1			
Orifice assembly, fig. 1		8 TR 068G2054	12 TR 068G2055	20 TR 068G2056
Pos. 4 O-ring	1			
5 Gasket	1			
9 Orifice assembly	1			
Orifice assembly, fig. 1		33 TR 068G2057	55 TR 068G2058	85 TR 068G2059
Pos. 4 O-ring	1			
5 Gasket	1			
9 Orifice assembly	1			
Seal kit, TEA 20, fig. 1			068G0051	
Pos. 1 Gasket	1			
2 Gasket	1			
4 O-ring	1			
5 Gasket	1			
23 Flange gasket	2			
Seal kit, TEA 85, fig. 1			068G0053	
Pos. 1 Gasket	1			
2 Gasket	1			
4 O-ring	1			
5 Gasket	1			
23 Gasket	2			
Accessories				
Bulb strap, fig. 2			068-1212	
for max. dia. 35 mm tube				
Pos. 6 Nut	1			
7 Strap	1			
8 Screw	1			

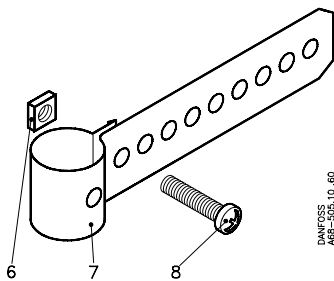
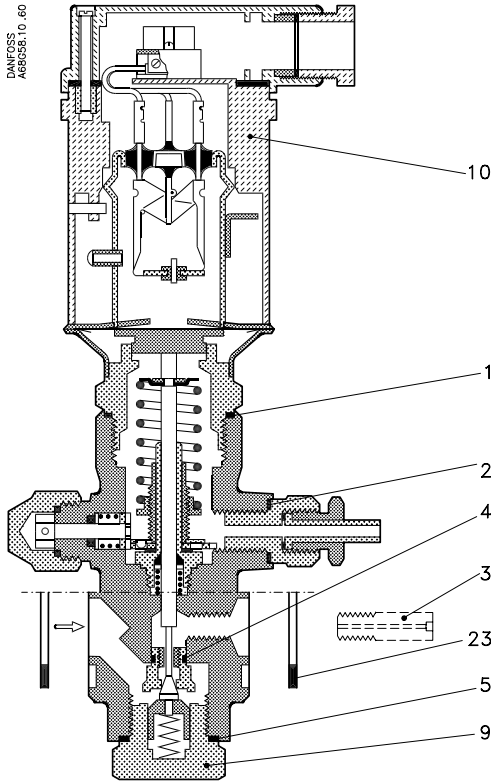


Fig. 2

TR = Tons of Refrigeration

TEAQ 20 and TEAQ 85



Description	Qty	Code no.	Code no.	Code no.
Actuator				027B0121
pos. 10 Actuator assembly	1			
1 Alu gasket	1			
Orifice assembly for TEAQ 20				1 TR 068G2050
pos. 3 Damping orifice	1			
4 O-ring	1			
5 Gasket	1			
9 Orifice assembly	1			
Orifice assembly for TEAQ 20		2 TR 068G2051	3 TR 068G2052	5TR 068G2053
pos. 4 O-ring	1			
5 Gasket	1			
9 Orifice assembly	1			
Orifice assembly for TEAQ 20		8 TR 068G2054	12 TR 068G2055	20 TR 068G2056
pos. 4 O-ring	1			
5 Gasket	1			
9 Orifice assembly	1			
Orifice assembly for TEAQ 85		33 TR 068G2057	55 TR 068G2058	85 TR 068G2059
pos. 4 O-ring	1			
5 Gasket	1			
9 Orifice assembly	1			
Seal kit for TEAQ 20			068G0051	
pos. 1 Gasket	1			
2 Gasket	1			
4 O-ring	1			
5 Gasket	1			
23 Flange gasket	2			
Seal kit for TEAQ 85			068G0053	
pos. 1 Gasket	1			
2 Gasket	1			
4 O-ring	1			
5 Gasket	1			
23 Gasket	2			

TR = Tons of Refrigeration

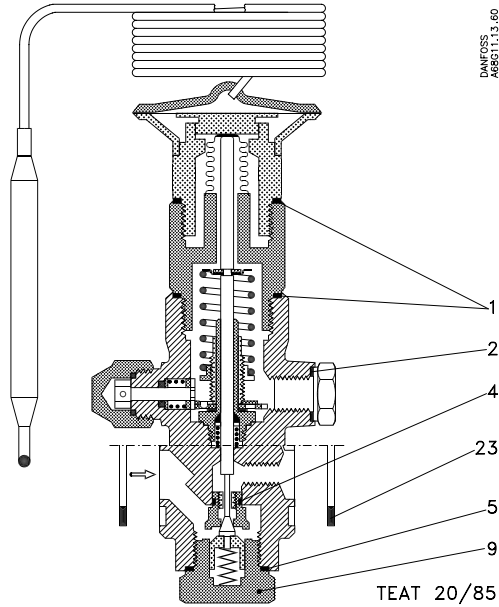


Fig. 1, TEAT

Description	Qty	Code no.	Code no.	Code no.
Orifice assemblies, fig 1		2 TR 068G2051	3 TR 068G2052	5TR 068G2053
Pos. 4 O-ring	1			
5 Gasket	1			
9 Orifice assembly	1			
Orifice assemblies, fig 1		8 TR 068G2054	12 TR 068G2055	20 TR 068G2056
Pos. 4 O-ring	1			
5 Gasket	1			
9 Orifice assembly	1			
Orifice assemblies, fig 1		33 TR 068G2057	55 TR 068G2058	85 TR 068G2059
Pos. 4 O-ring	1			
5 Gasket	1			
9 Orifice assembly	1			
Seal kit, TEAT 20, fig 1		068G0052		
Pos. 1 Gasket	1			
2 Gasket	1			
4 O-ring	1			
5 Gasket	1			
23 Flange gasket	2			
Seal kit, TEAT 85, fig 1		068G0054		
Pos. 1 Gasket	1			
2 Gasket	1			
4 O-ring	1			
5 Gasket	1			
23 Gasket	2			
Accessories				
Bulb pocket, stainless steel		993N3615		
fig. 2				
Pos.18 Bulb pocket	1			
19 Washer	2			
20 Gasket	1			
21 Washer	1			
22 Nut	1			
Bulb strap, fig. 3		068-1212		
for max. dia. 35 mm tube				
Pos. 6 Nut	1			
7 Strap	1			
8 Screw	1			

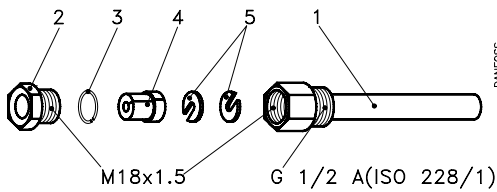


Fig. 2

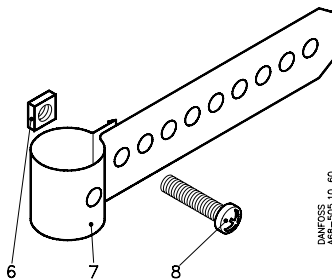
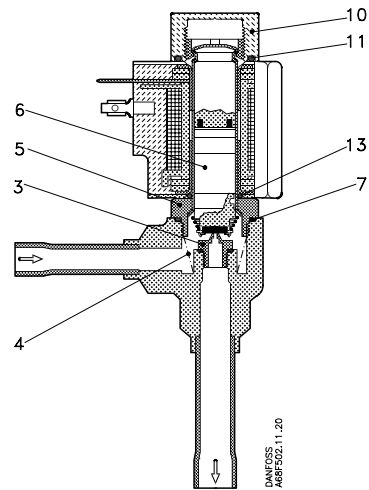


Fig. 3

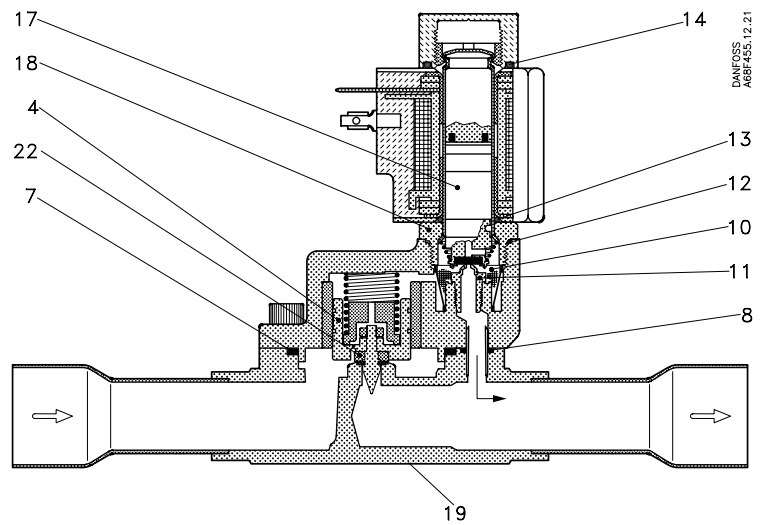
TR = Tons of Refrigeration

AKV 10



Description	Qty	Code no.
Orifice 10 - 1		068F0506
Orifice 10 - 2		068F0507
Orifice 10 - 3		068F0508
Orifice 10 - 4		068F0509
Orifice 10 - 5		068F0510
Orifice 10 - 6		068F0511
Orifice 10 - 7		068F0512
pos. 3 Orifice	1	
7 Cu/Tn gasket	1	
10 Cap for coil	1	
11 O-ring	1	
Filter		068F0540
pos. 4 Filter	10	
7 Alu gasket	10	
Armature set		068F0541
pos. 6 Armature	1	
5 Armature tube assembly	1	
7 Cu/Tn gasket	1	
Gasket		068F0549
pos. 7 Cu/Tn gasket	25	

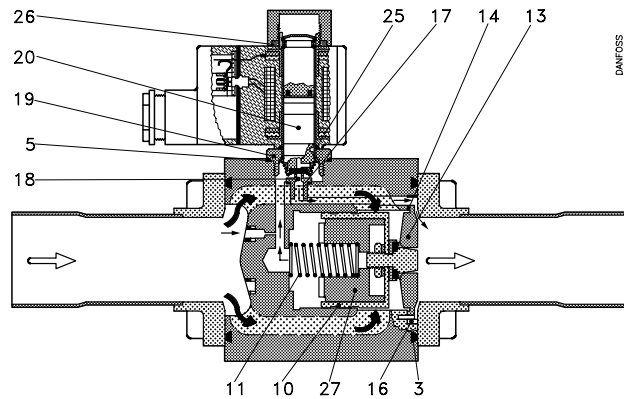
AKV 15



DANFOSS
AGB/455.12.21

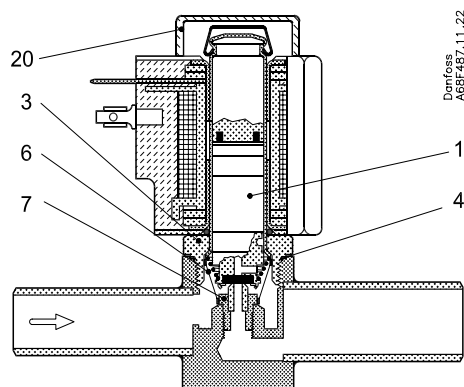
Description	Qty	Code no.
Piston kit, AKV 15 - 1		068F5265
Piston kit, AKV 15 - 2		068F5266
Piston kit, AKV 15 - 3		068F5267
Piston kit, AKV 15 - 4		068F5268
pos. 4 Piston assembly	1	
7 Square gasket, rubber	1	
8 O-ring	1	
19 Label	2	
Armature set		068F5045
pos. 17 Armature	1	
18 Armature tube assembly	1	
12 Alu gasket	1	
Filter		068F0540
pos. 10 Filter	10	
12 Alu gasket	10	
Gasket set		068F5263
pos. 8 O-ring	10	
13 O-ring	10	
14 O-ring	10	
12 Cu/Tn gasket	10	
7 Square gasket, rubber	10	
Gasket		068F0549
pos. 12 Cu/Tn gasket	25	

AKV 20



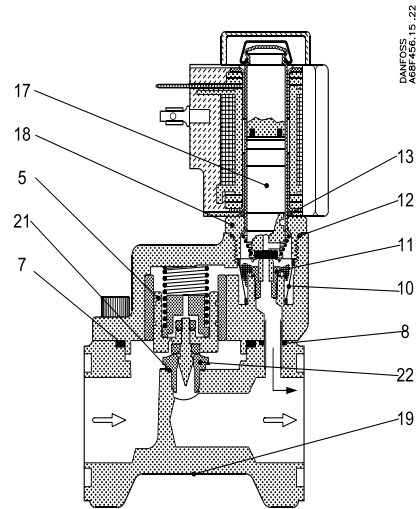
Description	Qty	Code no.
Piston kit		
AKV 20-0.6		042H2039
AKV 20-1		042H2040
AKV 20-2		042H2041
AKV 20-3		042H2042
AKV 20-4		042H2043
AKV 20-5		042H2044
pos.10 Piston assembly	1	
11 Spring	1	
27 Insert	1	
14 O-ring	1	
3 O-ring	2	
Orifice kit		
for AKV 20 - 0.6, AKV 20 - 1, AKV 20 - 2, AKV 20 - 3		068F5270
pos. 13 Main orifice, dia. 8 mm	1	
18 Pilot orifice, dia. 1.2 mm	1	
16 Pin	1	
3 O-ring	2	
14 O-ring	1	
5 Alu gasket	2	
17 Alu gasket	1	
Orifice kit		068F5271
for AKV 20- 4, AKV 20- 5		
pos. 13 Main orifice, dia. 14 mm	1	
18 Pilot orifice, dia. 2.4 mm	1	
16 Pin	1	
3 O-ring	2	
14 O-ring	1	
5 Alu gasket	2	
17 Alu gasket	1	
Gasket set		42H0160
pos. 3 O-ring	2	
14 O-ring	1	
16 Pin	1	
25 O-ring	1	
26 O-ring	1	
5 Alu gasket	2	
17 Alu gasket	1	
Armature set		068F5045
pos. 20 Armature		
19 Armature tube assembly	1	
5 Alu gasket	1	
Gasket		068F0549
pos. 5 Cu/Tn gasket	25	

AKVA 10



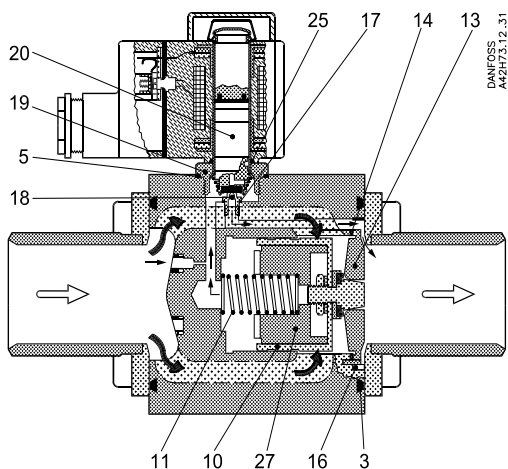
Description	Qty	Code no.
Orifice 10 - 1		068F0526
Orifice 10 - 2		068F0527
Orifice 10 - 3		068F0528
Orifice 10 - 4		068F0529
Orifice 10 - 5		068F0530
Orifice 10 - 6		068F0531
Orifice 10 - 7		068F0532
Orifice 10 - 8		068F0533
pos. 7 Orifice	1	
4 Alu gasket	1	
20 Cap for coil	1	
11 O-ring	1	
Filter		068F0540
pos. 6 Filter	10	
4 Alu gasket	10	
Armature set		068F5045
pos. 1 Armature	1	
3 Armature tube assembly	1	
4 Alu gasket	1	
Alu gasket		068F0548
pos. 4 Alu gasket	25	

AKVA 15



Description	Qty	Code no.
Piston kit, AKVA 15 - 1		068F5265
Piston kit, AKVA 15 - 2		068F5266
Piston kit, AKVA 15 - 3		068F5267
Piston kit, AKVA 15 - 4		068F5268
pos. 5 Piston assembly	1	
7 Square gasket, rubber	1	
8 O-ring	1	
19 Label	1	
Orifice set		068F5261
pos. 22 Main orifice	1	
11 Pilot orifice	1	
21 Alu gasket	1	
8 O-ring	1	
7 Square gasket, rubber	1	
Armature set		068F5045
pos. 17 Armature	1	
18 Armature tube assembly	1	
12 Alu gasket	1	
Filter		068F0540
pos. 10 Filter	10	
12 Alu gasket	10	
Gasket set		068F5264
pos. 8 O-ring	10	
13 O-ring	10	
14 O-ring	10	
12 Alu gasket	10	
21 Alu gasket	10	
7 Square gasket, rubber	10	
Alu gasket		068F0548
pos. 12 Alu gasket	25	

AKVA 20



Description	Qty	Code no.
Piston kit		
AKVA 20-0.6		042H2039
AKVA 20-1		042H2040
AKVA 20-2		042H2041
AKVA 20-3		042H2042
AKVA 20-4		042H2043
AKVA 20-5		042H2044
pos. 10 Piston assembly	1	
11 Spring	1	
27 Insert	1	
14 O-ring	1	
3 O-ring	2	
Orifice kit		
for AKVA 20 - 0.6, AKVA 20 - 1, AKVA 20 - 2, AKVA 20 - 3		
pos. 13 Main orifice, dia. 8 mm	1	
18 Pilot orifice, dia. 1.2 mm	1	
16 Pin	1	
3 O-ring	2	
14 O-ring	1	
17 Alu gasket	1	
Orifice kit		
for AKVA 20 - 4, AKVA 20 - 5		
pos. 13 Main orifice, dia. 14 mm	1	
18 Pilot orifice, dia. 2.4 mm	1	
16 Pin	1	
3 O-ring	2	
14 O-ring	1	
17 Alu gasket	1	
Seal kit		
pos. 3 O-ring	2	
14 O-ring	1	
25 O-ring	1	
26 O-ring	2	
5 Alu gasket	2	
17 Alu gasket	1	
Armature set		
pos. 20 Armature		068F5045
19 Armature tube assembly	1	
5 Alu gasket	1	
Alu gasket		
pos. 17 Alu gasket	25	068F0548

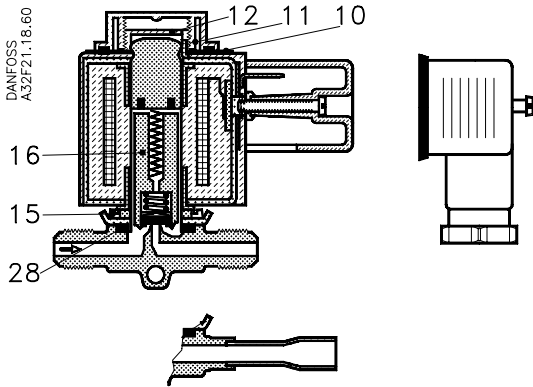


Fig. 1, EVR 2 (NC)

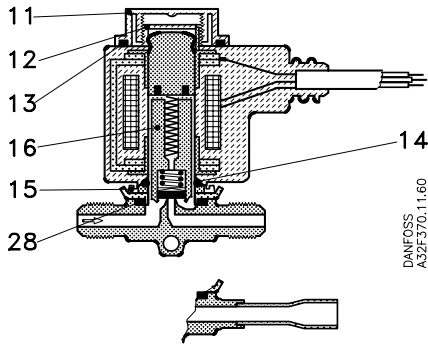
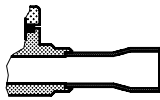
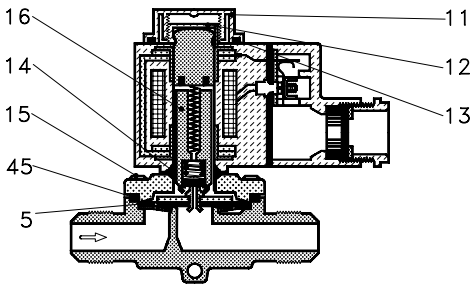


Fig. 2, EVR 3 (NC)

Description	Qty	Code no. Normally Closed (NC)
EVR 2. Service kit (a.c.)		032F0180
Pos.10 Type plate	1	
11 Nut	1	
12 Snap fastener	1	
15 Screw	4	
16 Armature assembly	1	
28 Rubber gasket	1	
EVR 2. Seal kit		032F0170
Pos.28 Rubber gasket	1	
EVR 2. d.c. armature		032F0099
Pos.16 d.c. armature assembly	1	
EVR 3. Service kit (a.c.)		032F0181
Pos.11 Nut	1	
12 Snap fastener	1	
13 O-ring	1	
14 O-ring	1	
15 Screw	4	
16 Armature assembly	1	
28 Rubber gasket	1	
EVR 3. Seal kit		032F0171
Pos.13 O-ring	1	
14 O-ring	1	
28 Rubber gasket	1	
EVR 3. d.c. armature		032F0099
Pos.16 d.c. armature assembly	1	



DANFOSS
A32F369.11.60

Fig.1 EVR 6 and 10 (NC)

Description	Qty	Code no. Normally Closed (NC)
EVR 6. Service kit (a.c.)		
Pos. 5 Diaphragm assembly	1	032F0183
11 Nut	1	
12 Snap fastener	1	
13 O-ring	1	
14 O-ring	1	
15 Screw	4	
16 Armature assembly	1	
45 Rubber gasket	1	
Torx key	1	
EVR 6. Seal kit		
Pos.13 O-ring	1	032F0172
14 O-ring	1	
45 Rubber gasket	1	
EVR 10. Service kit (a.c.)		
Pos. 5 Diaphragm assembly	1	032F0185
11 Nut	1	
12 Snap fastener	1	
13 O-ring	1	
14 O-ring	1	
15 Screw	4	
16 Armature assembly	1	
45 Rubber gasket	1	
Torx key	1	
EVR 10. Seal kit		
Pos.13 O-ring	1	032F0173
14 O-ring	1	
45 Rubber gasket	1	

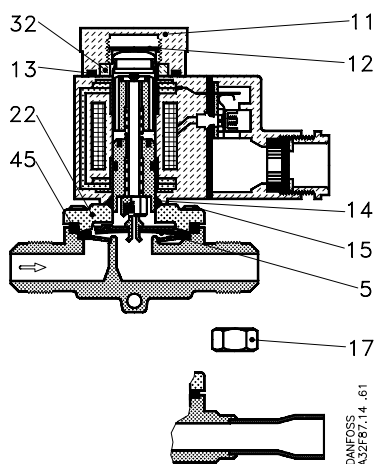


Fig.1 EVR 6 and 10 (NO)

Description	Qty	Code no. Normally Open (NO)
EVR 6. Service kit (a.c.)		032F0184
Pos. 5 Diaphragm assembly	1	
11 Nut	1	
12 Snap fastener	1	
13 O-ring	1	
14 O-ring	1	
15 Screw	4	
15 Screw	4	
17 Nut	4	
22 NO unit	1	
32 Spacer	1	
45 Rubber gasket	1	
Torx key	1	
EVR 6. Seal kit		032F0172
Pos.13 O-ring	1	
14 O-ring	1	
45 Rubber gasket	1	
EVR 10. Service kit (a.c.)		032F0186
Pos. 5 Diaphragm assembly	1	
11 Nut	1	
12 Snap fastener	1	
13 O-ring	1	
14 O-ring	1	
15 Screw	4	
15 Screw	4	
17 Nut	4	
22 NO unit	1	
32 Spacer	1	
45 Rubber gasket	1	
Torx key	1	
EVR 10. Seal kit		032F0173
Pos.13 O-ring	1	
14 O-ring	1	
45 Rubber gasket	1	

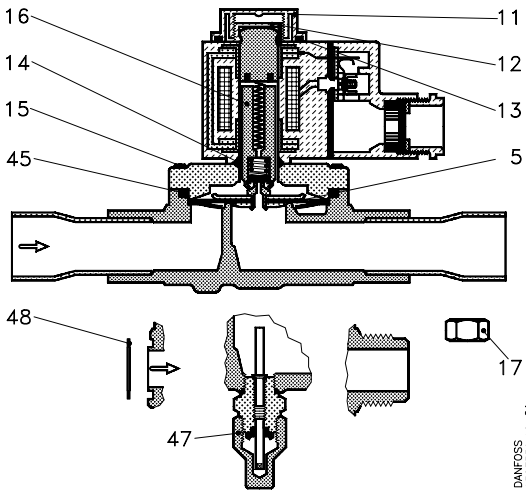


Fig.1 EVR 15 and 20 (NC)

Description	Qty	Code no. Normally Closed (NC)
EVR 15. Service kit (a.c.)		032F0187
Pos. 5 Diaphragm assembly	1	
11 Nut	1	
12 Snap fastener	1	
13 O-ring	1	
14 O-ring	1	
15 Screw	4	
16 Armature assembly	1	
45 Rubber gasket	1	
48 Flange gasket	2	
Torx key	1	
EVR 15. Seal kit		032F0174
Pos.13 O-ring	1	
14 O-ring	1	
45 Rubber gasket	1	
48 Flange gasket	2	
EVR 15. d.c. armature		032F0099
Pos. 16 d.c. armature assembly	1	
EVR 15. Manual spindle		032F0192
Pos. 47 Spindle assembly	1	
EVR 20. Service kit (a.c.)		032F0189
Pos. 5 Diaphragm assembly	1	
11 Nut	1	
12 Snap fastener	1	
13 O-ring	1	
14 O-ring	1	
15 Screw	4	
16 Armature assembly	1	
45 Rubber gasket	1	
48 Flange gasket	2	
Torx key	1	
EVR 20. Service kit (d.c.)		032F0191
Pos. 5 Diaphragm assembly	1	
11 Nut	1	
12 Snap fastener	1	
13 O-ring	1	
14 O-ring	1	
15 Screw	4	
16 Armature assembly	1	
45 Rubber gasket	1	
48 Flange gasket	2	
Torx key	1	
EVR 20. Seal kit		032F0175
Pos.13 O-ring	1	
14 O-ring	1	
45 Rubber gasket	1	
48 Flange gasket	2	
EVR 20. d.c. armature		032F0099
Pos.16 d.c. armature assembly	1	
EVR 20. Manual spindle		032F0193
Pos.47 Spindle assembly	1	

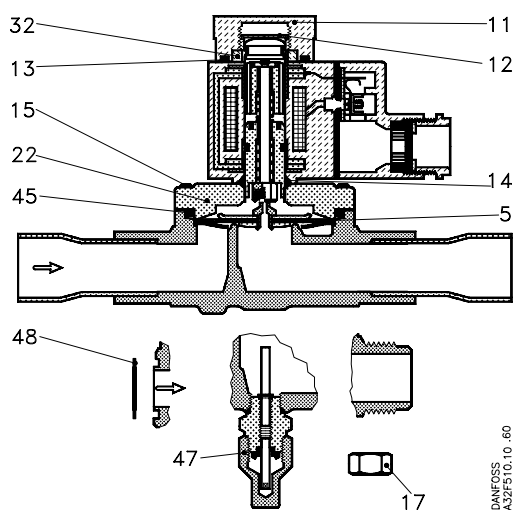


Fig.1 EVR 15 and 20 (NO)

Description	Qty	Code no. Normally Open (NO)
EVR 15. Service kit (a.c.)		032F0188
Pos. 5 Diaphragm assembly	1	
11 Nut	1	
12 Snap fastener	1	
13 O-ring	1	
14 O-ring	1	
15 Screw	4	
15 Screw	4	
17 Nut	4	
22 NO unit	1	
32 Spacer	1	
45 Rubber gasket	1	
48 Flange gasket	2	
Torx key	1	
EVR 15. Seal kit		032F0174
Pos.13 O-ring	1	
14 O-ring	1	
45 Rubber gasket	1	
48 Flange gasket	2	
EVR 15. Manual spindle		032F0192
Pos.47 Spindle assembly	1	
EVR 20. Service kit (a.c.)		032F0182
Pos. 5 Diaphragm assembly	1	
11 Nut	1	
12 Snap fastener	1	
13 O-ring	1	
14 O-ring	1	
15 Screw	4	
15 Screw	4	
17 Nut	4	
22 NO unit	1	
32 Spacer	1	
45 Rubber gasket	1	
48 Flange gasket	1	
Torx key	1	
EVR 20. Seal kit		032F0175
Pos.13 O-ring	1	
14 O-ring	1	
45 Rubber gasket	1	
48 Flange gasket	2	
EVR 20. Manual spindle		032F0193
Pos. 47 Spindle assembly	1	

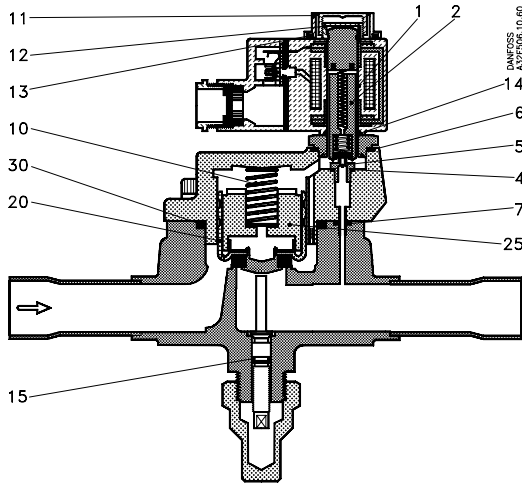


Fig.1 EVR 25 (NC) with stainless steel piston, previous design

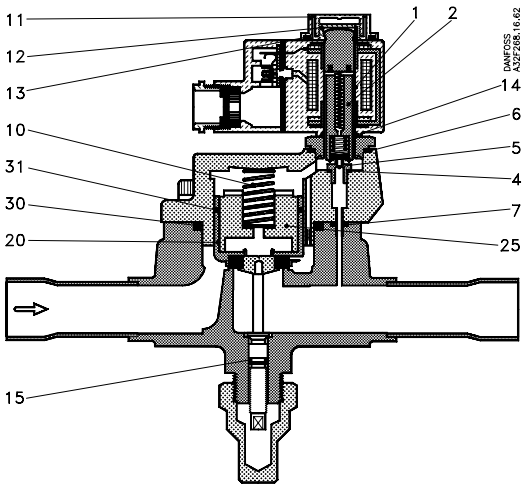


Fig.1 EVR 25 (NC) with cast iron piston and piston ring

Description	Qty	Code no. Normally Closed (NC)
-------------	-----	----------------------------------

EVR 25

Piston service kit

Pos. 7	O-ring	1
10	Spring	1
11	Nut	1
12	Snap fastener	1
13	O-ring	1
14	O-ring	1
20	Piston assembly	1
25	Plastic block	1
30	Rubber gasket	1
31	Piston ring	1

032F3236

EVR 25

Pilot service kit

Pos. 1	Armature tube assembly	1
2	Armature	1
4	Al. gasket	1
5	Orifice	1
6	Al. gasket	1
11	Nut	1
12	Snap fastener	1
13	O-ring	1
14	O-ring	1

042H0161

EVR 25

Seal kit

Pos. 4	Al. gasket	1
6	Al. gasket	1
7	O-ring	1
8	Gasket	2
13	O-ring	1
13	O-ring (EVRA only)	1
14	O-ring	1
15	O-ring	1
30	Rubber gasket	1

032F3235

Note.

All code nos. are valid for EVR 25 with stainless steel piston as well as for EVR 25 with cast iron piston

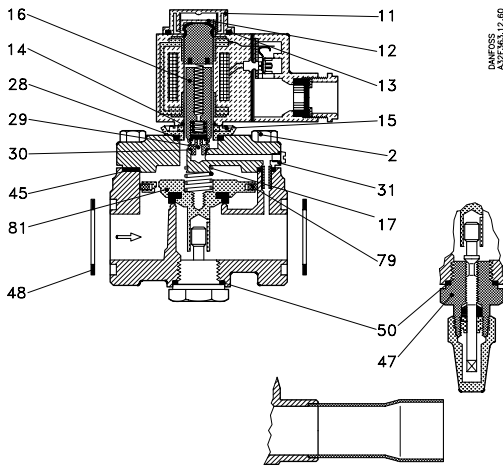


Fig.1 EVR 25 (NC), first version

Description	Qty	Code no. Normally Closed (NC)	
EVR 25, first version			
Service kit			
Pos. 2 Screw	4	032F0190	
11 Nut	1		
12 Snap fastener	1		
13 O-ring	1		
14 O-ring	1		
15 Screw	4		
16 Armature assembly, teflon	1		
17 Spring	1		
28 Rubber gasket	1		
29 Orifice	1		
30 Al. gasket	1		
31 Gasket	1	032F0176	
45 Gasket	1		
48 Flange gasket	1		
50 Gasket	1		
79 Piston ring	1		
81 Piston assembly	1		
EVR 25, first version			
Seal kit			
Pos.13 O-ring	1		
14 O-ring	1		
28 Rubber gasket	1		
30 Al. gasket	1		
31 Gasket	1		
45 Gasket	1		
48 Flange gasket	2		
50 Gasket	1		
EVR 25. d.c. armature			
Pos.16 d.c. armature assembly	1	032F0099	
EVR 25. Manual spindle			
Pos.47 Spindle assembly	1	032K1218	
50 Gasket	1		

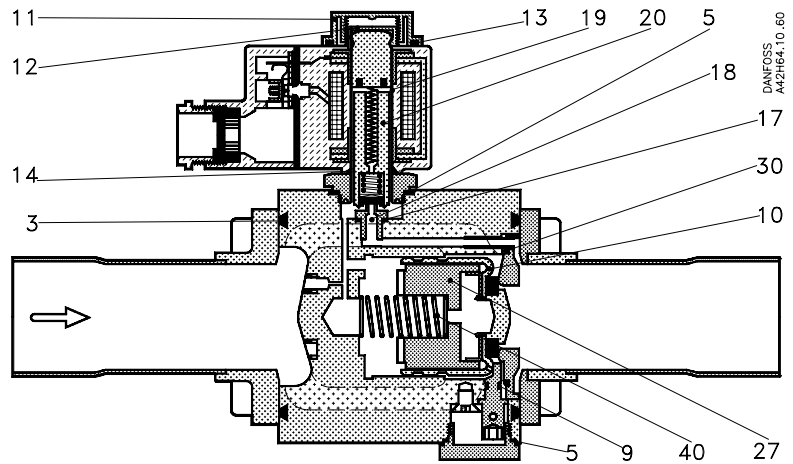


Fig 1. EVR 32 (NC) with stainless steel piston assembly, previous design

Description	Qty	Code no. Normally Closed (NC)
EVR 32, previous design		
Piston service kit		042H0163
Pos. 3 O-ring	2	
5 Al. gasket	1	
9 O-ring	1	
10 Piston assembly, stainless steel	1	
11 Nut	1	
12 Snap fastener	1	
13 O-ring	1	
14 O-ring	1	
27 Plastic block	1	
30 O-ring	1	
30 Gasket	1	
40 Spring	1	
EVR 32, previous design		
Pilot service kit		042H0165
Pos. 5 Al. gasket	1	
11 Nut	1	
12 Snap fastener	1	
13 O-ring	1	
14 O-ring	1	
17 Al. gasket	1	
18 Orifice	1	
19 Armature tube assembly	1	
20 Armature	1	
EVR 32, previous design		
Seal kit		042H0160
Pos. 3 O-ring	2	
5 Al. gasket	2	
9 O-ring	1	
13 O-ring	1	
13 O-ring (EVRA only)	1	
14 O-ring	1	
17 Al. gasket	1	
30 O-ring	1	
30 Gasket	1	

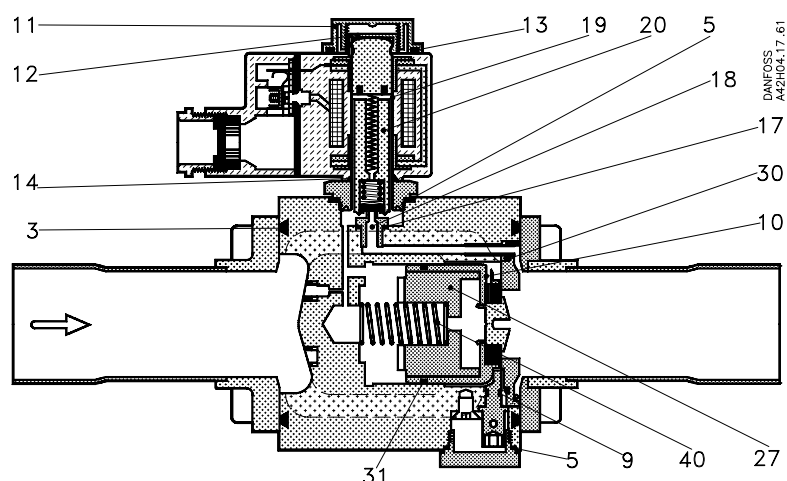


Fig 1. EVR 32 (NC) with cast iron piston and piston ring

Description	Qty	Code no. Normally Closed (NC)
EVR 32		
Piston service kit		042H0172
Pos. 3 O-ring	2	
5 Al. gasket	1	
9 O-ring	1	
10 Piston assembly, cast iron	1	
11 Nut	1	
12 Snap fastener	1	
13 O-ring	1	
14 O-ring	1	
27 Plastic block	1	
30 O-ring	1	
30 Gasket	1	
31 Piston ring	1	
40 Spring	1	
EVR 32		
Pilot service kit		042H0165
Pos. 5 Al. gasket	1	
11 Nut	1	
12 Snap fastener	1	
13 O-ring	1	
14 O-ring	1	
17 Al. gasket	1	
18 Orifice	1	
19 Armature tube assembly	1	
20 Armature	1	
EVR 32		
Seal kit		042H0160
Pos. 3 O-ring	2	
5 Al. gasket	2	
9 O-ring	1	
13 O-ring	1	
13 O-ring (EVRA only)	1	
14 O-ring	1	
17 Al. gasket	1	
30 O-ring	1	
30 Gasket	1	

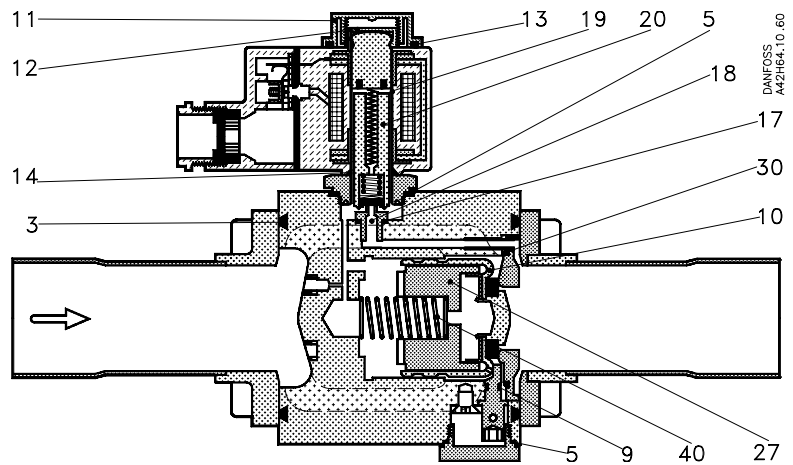


Fig 1. EVR 40 (NC) with stainless steel piston, previous design

Description	Qty	Code no. Normally Closed (NC)
EVR 40, previous design Piston service kit		042H0164
Pos. 3 O-ring	2	
5 Al. gasket	1	
9 O-ring	1	
10 Piston assembly, stainless steel	1	
11 Nut	1	
12 Snap fastener	1	
13 O-ring	1	
14 O-ring	1	
27 Plastic block	1	
30 O-ring	1	
30 Gasket	1	
40 Spring	1	
EVR 40, previous design Pilot service kit		042H0166
Pos. 5 Al. gasket	1	
11 Nut	1	
12 Snap fastener	1	
13 O-ring	1	
14 O-ring	1	
17 Al. gasket	1	
18 Orifice	1	
19 Armature tube assembly	1	
20 Armature	1	
EVR 40 Seal kit		042H0160
Pos. 3 O-ring	2	
5 Al. gasket	2	
9 O-ring	1	
13 O-ring	1	
13 O-ring (EVRA only)	1	
14 O-ring	1	
17 Al. gasket	1	
30 O-ring	1	
30 Gasket	1	

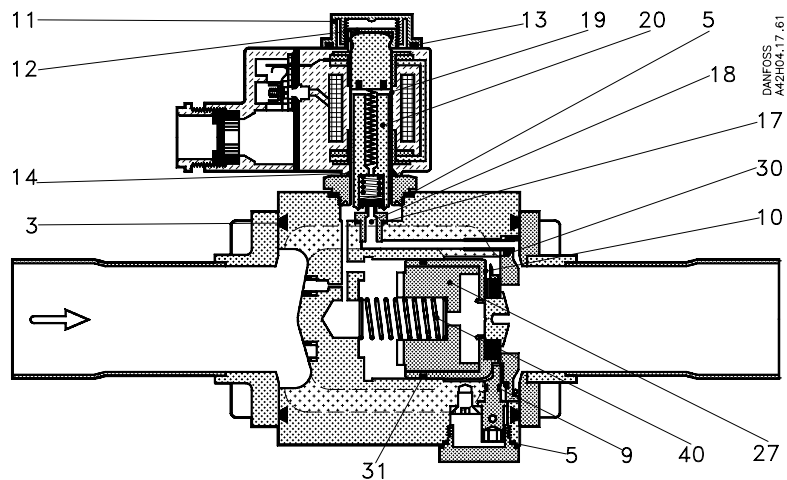


Fig 1. EVR 40 (NC) with cast iron piston and piston ring

Description	Qty	Code no. Normally Closed (NC)
EVR 40		
Piston service kit		
Pos. 3 O-ring	2	042H0173
5 Al. gasket	1	
9 O-ring	1	
10 Piston assembly, cast iron	1	
11 Nut	1	
12 Snap fastener	1	
13 O-ring	1	
14 O-ring	1	
27 Plastic block	1	
30 O-ring	1	
30 Gasket	1	
31 Piston ring	1	
40 Spring	1	
EVR 40		
Pilot service kit		
Pos. 5 Al. gasket	1	042H0166
11 Nut	1	
12 Snap fastener	1	
13 O-ring	1	
14 O-ring	1	
17 Al. gasket	1	
18 Orifice	1	
19 Armature tube assembly	1	
20 Armature	1	
EVR 40		
Seal kit		
Pos. 3 O-ring	2	042H0160
5 Al. gasket	2	
9 O-ring	1	
13 O-ring	1	
13 O-ring (EVRA only)	1	
14 O-ring	1	
17 Al. gasket	1	
30 O-ring	1	
30 Gasket	1	

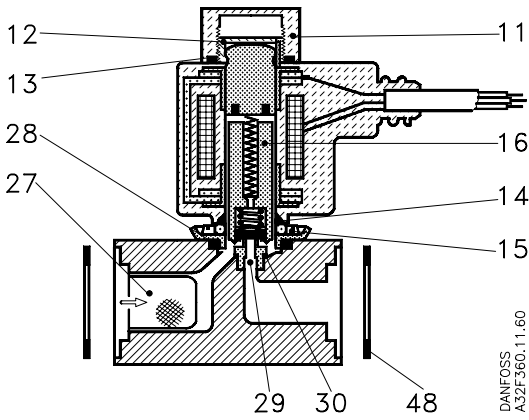
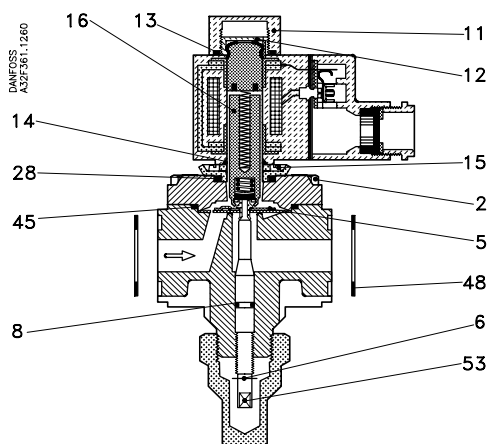


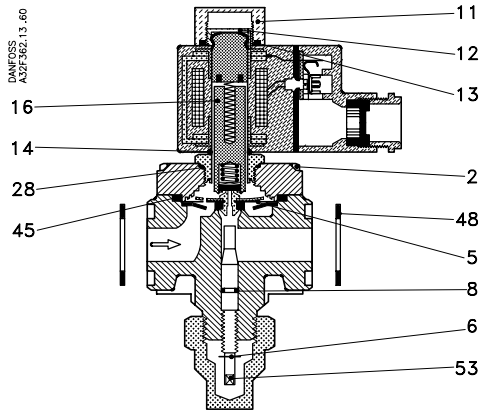
Fig 1. EVRA 3 (NC)

Description	Qty Normally Closed (NC)	Code no.
EVRA 3 Service kit		032F0200
Pos.11 Nut	1	
12 Snap fastener	1	
13 O-ring	1	
14 O-ring	1	
15 Screw	4	
16 Armature assembly, teflon	1	
28 Rubber gasket	1	
29 Orifice	1	
30 Al. gasket	1	
48 Flange gasket	2	
EVRA 3 Service kit		032F0198
Pos.13 O-ring	1	
13 O-ring	1	
14 O-ring	1	
16 Armature assembly, rubber	1	
28 Rubber gasket	1	
29 Orifice	1	
30 Al. gasket	1	
EVRA 3 Seal kit		032F0210
Pos.13 O-ring	1	
13 O-ring	1	
14 O-ring	1	
28 Rubber gasket	1	
30 Al. gasket	1	
48 Flange gasket	2	
EVRA 3 d.c. armature		032F0099
Pos.16 d.c. armature assembly	1	
EVRA 3. Filter		032K0040
Pos. 27 Filter assembly	1	



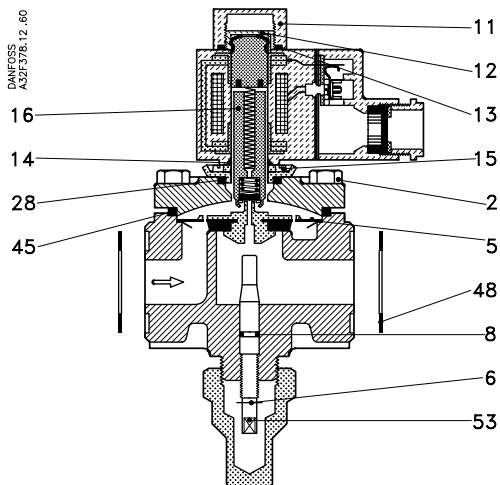
EVRA 10 (NC), previous design

Description	Qty Normally Closed (NC)	Code no.
EVRA 10, previous design		032F0202
Service kit		
Pos. 2 Screw	4	
5 Diaphragm assembly	1	
6 Locking ring	1	
8 O-ring	1	
11 Nut	1	
12 Snap fastener	1	
13 O-ring	1	
14 O-ring	1	
15 Screw	4	
16 Armature assembly, teflon	1	
28 Rubber gasket	1	
45 Rubber gasket	1	
48 Flange gasket	2	
EVRA 10, previous design		032F0216
Service kit		
Pos. 5 Diaphragm assembly	1	
13 O-ring	1	
13 O-ring	1	
14 O-ring	1	
16 Armature assembly, rubber	1	
28 Rubber gasket	1	
45 Rubber gasket	1	
EVRA 10, previous design		032F0211
Seal kit		
Pos. 8 O-ring	1	
13 O-ring	1	
13 O-ring	1	
14 O-ring	1	
28 Rubber gasket	1	
45 Rubber gasket	1	
48 Flange gasket	2	
EVRA 10. d.c. armature		032F0109
Pos.16 d.c. armature assembly	1	
28 Rubber gasket	1	
28 Al. gasket	1	



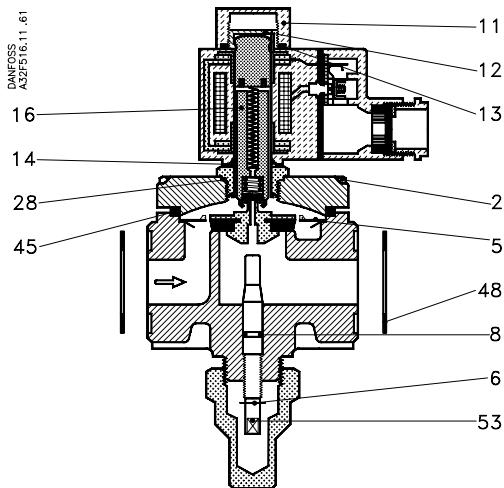
EVRA 10 (NC) with plug-in armature tube assembly

Description	Qty Normally Closed (NC)	Code no.
EVRA 10 Service kit		032F0250
Pos. 2 Screw	4	
5 Diaphragm assembly	1	
6 Locking ring	1	
8 O-ring	1	
11 Nut	1	
12 Snap fastener	1	
13 O-ring	1	
14 O-ring	1	
16 Armature assembly, teflon	1	
28 Al. gasket	1	
45 Rubber gasket	1	
48 Flange gasket	2	
EVRA 10 Service kit		032F0252
Pos. 5 Diaphragm assembly	1	
13 O-ring	1	
13 O-ring	1	
14 O-ring	1	
16 Armature assembly, rubber	1	
28 Al. gasket	1	
45 Rubber gasket	1	
EVRA 10 Seal kit		032F0254
Pos. 8 O-ring	1	
13 O-ring	1	
13 O-ring	1	
14 O-ring	1	
28 Al. gasket	1	
45 Rubber gasket	1	
48 Flange gasket	2	
EVRA 10 d.c. armature		032F0109
Pos. 16 d.c. armature assembly	1	
28 Rubber gasket	1	
28 Al. gasket	1	
EVRA 10 Manual spindle		032F0241
Pos. 6 Locking ring	1	
8 O-ring	1	
53 Spindle	1	



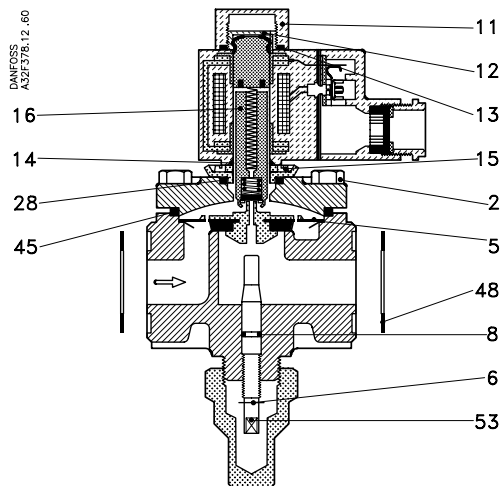
EVRA 15 (NC) previous design

Description	Qty Normally Closed (NC)	Code no.	
EVRA 15, previous design			
Service kit			
Pos. 2 Screw	4	032F0204	
5 Diaphragm assembly	1		
6 Locking ring	1		
8 O-ring	1		
11 Nut	1		
12 Snap fastener	1		
13 O-ring	1		
14 O-ring	1		
15 Screw	4		
16 Armature assembly, teflon	1		
28 Rubber gasket	1	032F0217	
45 Rubber gasket	1		
48 Flange gasket	2		
EVRA 15, previous design			
Service kit			
Pos. 5 Diaphragm assembly	1	032F0212	
13 O-ring	1		
13 O-ring	1		
14 O-ring	1		
16 Armature assembly, rubber	1		
28 Rubber gasket	1		
45 Rubber gasket	1		
EVRA 15, previous design			
Seal kit			
Pos. 8 O-ring	1	032F0109	
13 O-ring	1		
13 O-ring	1		
14 O-ring	1		
28 Rubber gasket	1		
45 Rubber gasket	1		
48 Flange gasket	2		
EVRA 15			
d.c. armature			
Pos.16 d.c. armature assembly	1	032F0241	
28 Rubber gasket	1		
28 Al. gasket	1		
EVRA 15			
Manual spindle			
Pos. 6 Locking ring	1		
8 O-ring	1		
53 Spindle	1		



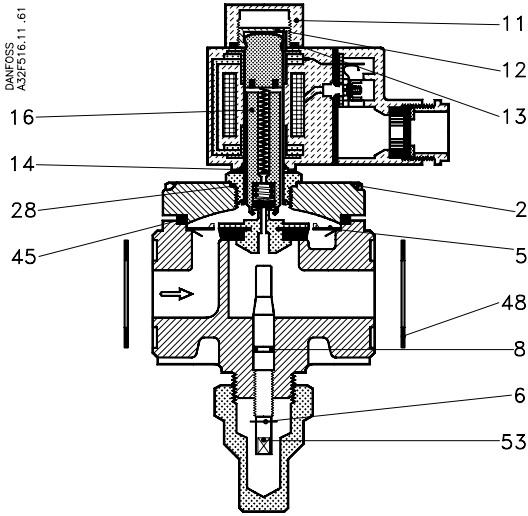
EVRA 15 (NC) with plug-in armature tube assembly

Description	Qty Normally Closed (NC)	Code no.
EVRA 15		
Service kit		032F6262
Pos. 2 Screw	4	
5 Diaphragm assembly	1	
6 Locking ring	1	
8 O-ring	1	
11 Nut	1	
12 Snap fastener	1	
13 O-ring	1	
14 O-ring	1	
16 Armature assembly, teflon	1	
28 Al. gasket	1	
45 Rubber gasket	1	
48 Flange gasket	2	
EVRA 15		
Service kit		032F6275
Pos. 5 Diaphragm assembly	1	
13 O-ring	1	
14 O-ring	1	
16 Armature assembly, rubber	1	
28 Al. gasket	1	
45 Rubber gasket	1	
EVRA 15		
Seal kit		032F0254
Pos. 8 O-ring	1	
13 O-ring	1	
13 O-ring	1	
14 O-ring	1	
28 Al. gasket	1	
45 Rubber gasket	1	
48 Flange gasket	2	
EVRA 15		
d.c. armature		032F0109
Pos.16 d.c. armature assembly	1	
28 Rubber gasket	1	
28 Al. gasket	1	
EVRA 15		
Manual spindle		032F0241
Pos. 6 Locking ring	1	
8 O-ring	1	
53 Spindle	1	



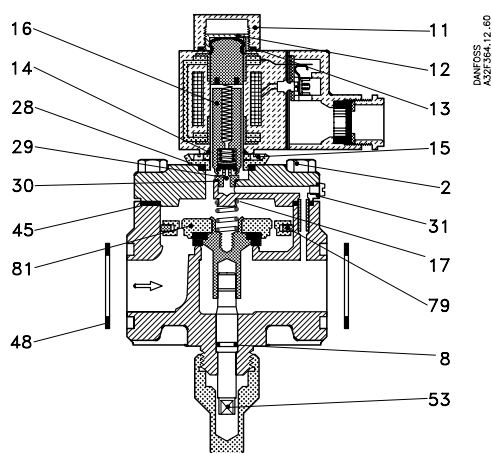
EVRA 20 (NC), previous design

Description	Qty Normally Closed (NC)	Code no.	
EVRA 20, previous design			
Service kit			
Pos. 2 Screw	4	032F0206	
5 Diaphragm assembly	1		
6 Locking ring	1		
8 O-ring	1		
11 Nut	1		
12 Snap fastener	1		
13 O-ring	1		
14 O-ring	1		
15 Screw	4		
16 Armature assembly, teflon	1		
28 Rubber gasket	1	032F0218	
45 Rubber gasket	1		
48 Flange gasket	2		
EVRA 20, previous design			
Service kit			
Pos. 5 Diaphragm assembly	1		
13 O-ring	1		
13 O-ring	1		
14 O-ring	1		
16 Armature assembly, rubber	1		
28 Rubber gasket	1		
45 Rubber gasket	1	032F0213	
EVRA 20, previous design			
Seal kit			
Pos. 8 O-ring	1		
13 O-ring	1		
13 O-ring	1		
14 O-ring	1		
28 Rubber gasket	1		
45 Rubber gasket	1		
48 Flange gasket	2	032F0109	
EVRA 20			
d.c. armature			
Pos. 16 d.c. armature assembly	1		
28 Rubber gasket	1		
28 Al. gasket	1	032F0241	
EVRA 20			
Manual spindle			
Pos. 6 Locking ring	1		
8 O-ring	1		
53 Spindle	1		



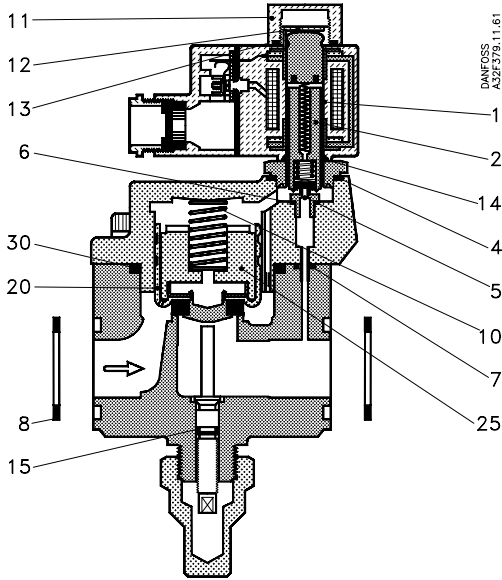
EVRA 20 (NC) with plug-in armature tube assembly

Description	Qty Normally Closed (NC)	Code no.
EVRA 20 Service kit		032F6264
Pos. 2 Screw	4	
5 Diaphragm assembly	1	
6 Locking ring	1	
8 O-ring	1	
11 Nut	1	
12 Snap fastener	1	
13 O-ring	1	
14 O-ring	1	
16 Armature assembly, teflon	1	
28 Al. gasket	1	
45 Rubber gasket	1	
48 Flange gasket	2	
EVRA 20 Service kit		032F6277
Pos. 5 Diaphragm assembly	1	
13 O-ring	1	
14 O-ring	1	
16 Armature assembly, rubber	1	
28 Al. gasket	1	
45 Rubber gasket	1	
EVRA 20 Seal kit		032F6268
Pos. 8 O-ring	1	
13 O-ring	1	
14 O-ring	1	
28 Al. gasket	1	
45 Rubber gasket	1	
48 Flange gasket	2	
EVRA 20 d.c. armature		032F0109
Pos.16 d.c. armature assembly	1	
28 Rubber gasket	1	
28 Al. gasket	1	
EVRA 20 Manual spindle		032F0241
Pos. 6 Locking ring	1	
8 O-ring	1	
53 Spindle	1	

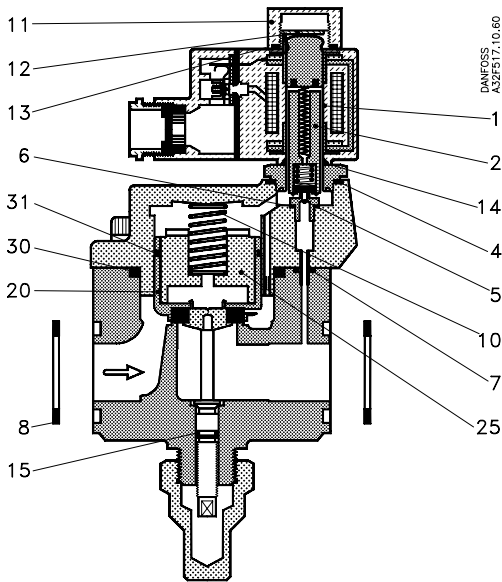


EVRA 25 (NC), old version

Description	Qty Normally Closed (NC)	Code no.	
EVRA 25 Service kit			
Pos. 2 Screw	4	032F0208	
8 O-ring	1		
11 Nut	1		
12 Snap fastener	1		
13 O-ring	1		
14 O-ring	1		
15 Screw	4		
16 Armature assembly, teflon	1		
17 Spring	1		
28 Rubber gasket	1		
29 Orifice	1		
30 Al. gasket	1	032F0198	
31 Gasket	1		
45 Gasket	1		
48 Flange gasket	2		
79 Piston ring	1		
81 Piston assembly	1		
EVRA 25 Service kit			
Pos. 13 O-ring	1		032F0198
13 O-ring	1		
14 O-ring	1		
16 Armature assembly, rubber	1		
28 Rubber gasket	1		
29 Orifice	1	032F0214	
30 Al. gasket	1		
EVRA 25 Seal kit			
Pos. 8 O-ring	1		
13 O-ring	1		
13 O-ring	1		
14 O-ring	1		
28 Rubber gasket	1		
30 Al. gasket	1		
31 Gasket	1		
45 Gasket	1		
48 Flange gasket	2	032F0099	
EVRA 25. d.c. armature			
Pos. 16 d.c. armature assembly	1	032F0242	
EVRA 25. Manual spindle			
Pos. 8 O-ring	1		
53 Spindle	1		

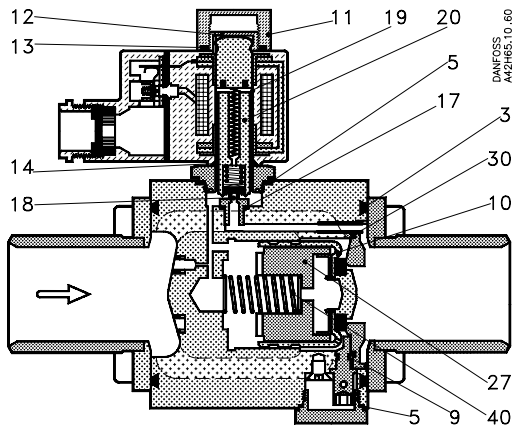


EVRA 25 (NC) with stainless steel piston assembly, previous design

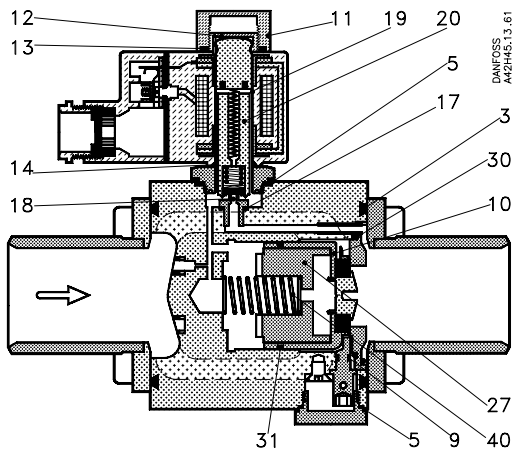


EVRA 25 (NC) with cast iron piston and piston ring

Description	Qty Normally Closed (NC)	Code no.
EVRA 25 Piston service kit		
Pos. 7 O-ring	1	032F3241
10 Spring	1	
11 Nut	1	
12 Snap fastener	1	
13 O-ring	1	
14 O-ring	1	
20 Piston assembly	1	
25 Plastic block	1	
30 Rubber gasket	1	
31 Piston ring	1	
EVR 25 Pilot service kit		
Pos. 1 Armature tube assembly	1	042H0162
2 Armature	1	
4 Al. gasket	1	
5 Orifice	1	
6 Al. gasket	1	
11 Nut	1	
12 Snap fastener	1	
13 O-ring	1	
14 O-ring	1	
EVRA 25 Seal kit		
Pos. 4 Al. gasket	1	032F3235
6 Al. gasket	1	
7 O-ring	1	
8 Flange gasket	2	
13 O-ring	1	
13 O-ring	1	
14 O-ring	1	
15 O-ring	1	
30 Rubber gasket	1	
Note. All code nos. are valid for EVRA 25 with stainless steel piston as well as for EVRA 25 with cast iron piston		

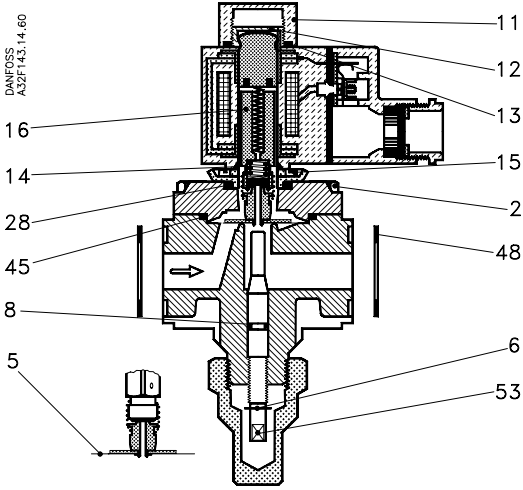


EVRA 32 and 40 (NC) with stainless steel piston, previous design



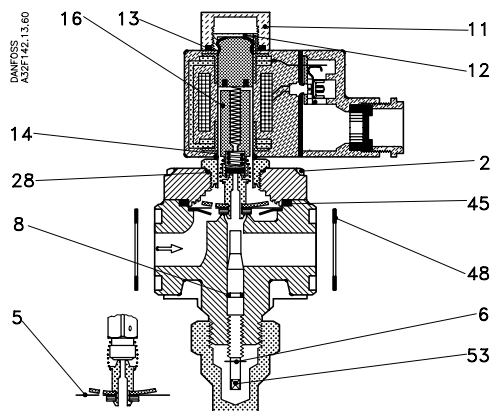
EVRA 32 and 40 (NC) with cast iron piston and piston ring

Description	Qty	EVRA 32	EVRA 40
		Code no. Normally Open (NO)	Code no. Normally Open (NO)
EVRA 32 and 40 with stainless steel piston			
Piston service kit		042H0169	042H0170
Pos. 3 O-ring	2		
5 Al. gasket	1		
9 O-ring	1		
10 Piston assembly, stainless steel	1		
11 Nut	1		
12 Snap fastener	1		
13 O-ring	1		
14 O-ring	1		
27 Plastic block	1		
30 O-ring	1		
30 Gasket	1		
40 Spring	1		
EVRA 32 and 40 with cast iron piston and piston ring			
Piston service kit		042H0174	042H0175
Pos. 3 O-ring	2		
5 Al. gasket	1		
9 O-ring	1		
10 Piston assembly, cast iron	1		
11 Nut	1		
12 Snap fastener	1		
13 O-ring	1		
14 O-ring	1		
27 Plastic block	1		
30 O-ring	1		
31 Piston ring	1		
40 Spring	1		
Pilot service kit		042H0167	042H0168
Pos. 5 Al. gasket	1		
11 Nut	1		
12 Snap fastener	1		
13 O-ring	1		
14 O-ring	1		
17 Al. gasket	1		
18 Orifice	1		
19 Armature tube assembly	1		
20 Armature	1		
Seal kit		042H0160	042H0160
Pos. 3 O-ring	2		
5 Al. gasket	2		
9 O-ring	1		
13 O-ring	1		
13 O-ring	1		
14 O-ring	1		
17 Al. gasket	1		
30 O-ring	1		



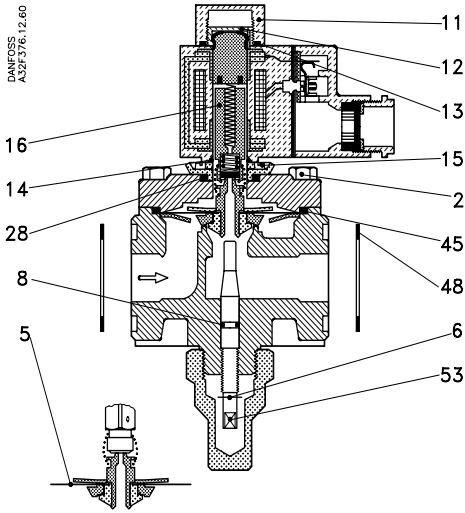
EVRAT 10 (NC), previous design

Description	Qty	Code no. Normally Open (NO)	
EVRAT 10, previous design			
Service kit			
Pos. 2 Screw	4	032F0203	
5 Diaphragm assembly	1		
6 Locking ring	1		
8 O-ring	1		
11 Nut	1		
12 Snap fastener	1		
13 O-ring	1		
14 O-ring	1		
15 Screw	4		
16 Armature assembly, teflon	1		
28 Rubber gasket	1	032F0194	
45 Rubber gasket	1		
48 Flange gasket	2		
EVRAT 10, previous design			
Service kit			
Pos. 5 Diaphragm assembly	1		032F0211
13 O-ring	1		
13 O-ring	1		
14 O-ring	1		
16 Armature assembly, rubber	1		
28 Rubber gasket	1		
45 Rubber gasket	1		
EVRAT 10, previous design			
Seal kit			
Pos. 8 O-ring	1	032F0241	
13 O-ring	1		
13 O-ring	1		
14 O-ring	1		
28 Rubber gasket	1		
45 Rubber gasket	1		
48 Flange gasket	2		
EVRAT 10			
Manual spindle			
Pos. 6 Locking ring	1	032F0241	
8 O-ring	1		
53 Spindle	1		



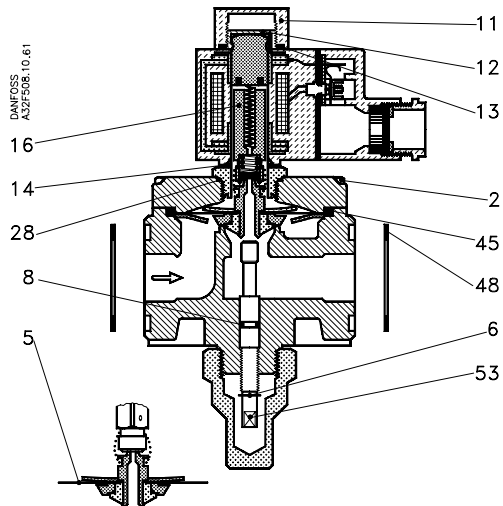
EVRAT 10 (NC) with plug-in armature tube assembly

Description	Qty	Code no. Normally Closed (NC)	
EVRAT 10			
Service kit			
Pos. 2 Screw	4	032F0251	
5 Diaphragm assembly	1		
6 Locking ring	1		
8 O-ring	1		
11 Nut	1		
12 Snap fastener	1		
13 O-ring	1		
14 O-ring	1		
16 Armature assembly, teflon	1		
28 Al. gasket	1		
45 Rubber gasket	1	032F0253	
48 Flange gasket	2		
EVRAT 10			
Service kit			
Pos. 5 Diaphragm assembly	1		
13 O-ring	1		
13 O-ring	1		
14 O-ring	1		
16 Armature assembly, rubber	1		
28 Al. gasket	1		
45 Rubber gasket	1	032F0254	
EVRAT 10			
Seal kit			
Pos. 8 O-ring	1		
13 O-ring	1		
13 O-ring	1		
14 O-ring	1		
28 Al. gasket	1		
45 Rubber gasket	1		
48 Flange gasket	2	032F0241	
EVRAT 10			
Manual spindle			
Pos. 6 Locking ring	1		
8 O-ring	1		
53 Spindle	1		



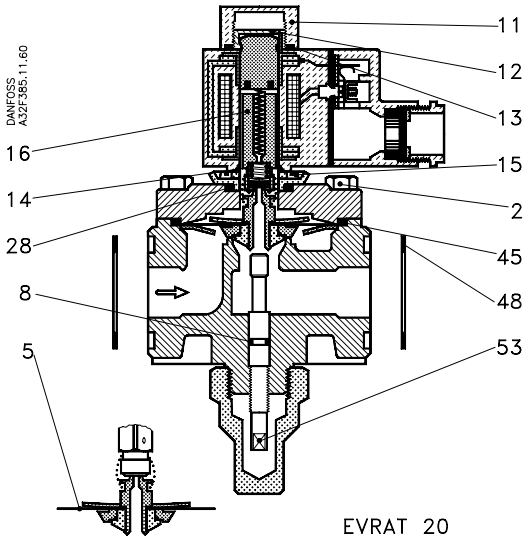
EVRAT 15 (NC), previous design

Description	Qty	Code no. Normally Closed (NC)
EVRAT 15, previous design		
Service kit		
		032F0205
Pos. 2 Screw	4	
5 Diaphragm assembly	1	
6 Locking ring	1	
8 O-ring	1	
11 Nut	1	
12 Snap fastener	1	
13 O-ring	1	
14 O-ring	1	
15 Screw	4	
16 Armature assembly, teflon	1	
28 Rubber gasket	1	
45 Rubber gasket	1	
48 Flange gasket	2	
EVRAT 15, previous design		
Service kit		
		032F0195
Pos 5 Diaphragm assembly	1	
13 O-ring	1	
13 O-ring	1	
14 O-ring	1	
16 Armature assembly, rubber	1	
28 Rubber gasket	1	
EVRAT 15, previous design		
Seal kit		
		032F0212
Pos 8 O-ring	1	
13 O-ring	1	
13 O-ring	1	
14 O-ring	1	
28 Rubber gasket	1	
45 Rubber gasket	1	
48 Flange gasket	2	
EVRAT 15		
Manual spindle		
		032F0241
Pos 6 Locking ring	1	
8 O-ring	1	
53 Spindle	1	



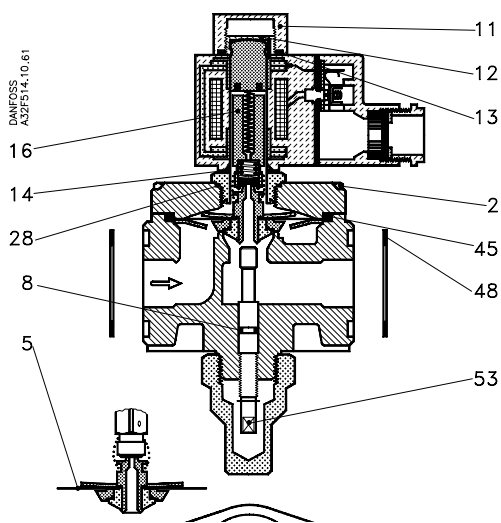
EVRAT 15 (NC) with plug-in armature tube assembly

Description	Qty	Code no. Normally Closed (NC)	
EVRAT 15			
Service kit			
Pos. 2 Screw	4	032F6263	
5 Diaphragm assembly	1		
6 Locking ring	1		
8 O-ring	1		
11 Nut	1		
12 Snap fastener	1		
13 O-ring	1		
14 O-ring	1		
16 Armature assembly, teflon	1		
28 Al. gasket	1		
45 Rubber gasket	1	032F6276	
48 Flange gasket	2		
EVRAT 15			
Service kit			
Pos. 5 Diaphragm assembly	1		
13 O-ring	1		
14 O-ring	1		
16 Armature assembly, rubber	1		
28 Al. gasket	1		
45 Rubber gasket	1	032F0254	
EVRAT 15			
Seal kit			
Pos. 8 O-ring	1		
13 O-ring	1		
13 O-ring	1		
14 O-ring	1		
28 Al. gasket	1		
45 Rubber gasket	1		
48 Flange gasket	2	032F0241	
EVRAT 15			
Manual spindle			
Pos. 6 Locking ring	1		
8 O-ring	1		
53 Spindle	1		



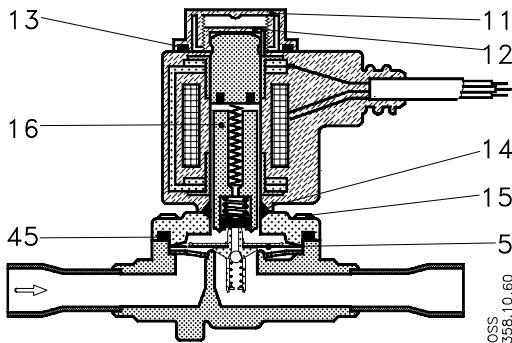
EVRAT 20 (NC), previous design

Description	Qty	Code no. Normally Closed (NC)
EVRAT 20, previous design		
Service kit		
Pos. 2 Screw	4	032F0207
5 Diaphragm assembly	1	
8 O-ring	1	
11 Nut	1	
12 Snap fastener	1	
13 O-ring	1	
14 O-ring	1	
15 Screw	4	
16 Armature assembly, teflon	1	
28 Rubber gasket	1	
45 Rubber gasket	1	
48 Flange gasket	2	
EVRAT 20, previous design		
Service kit		
Pos. 5 Diaphragm assembly	1	032F0196
13 O-ring	1	
13 O-ring	1	
14 O-ring	1	
16 Armature assembly, rubber	1	
28 Rubber gasket	1	
45 Rubber gasket	1	
EVRAT 20, previous design		
Seal kit		
Pos. 8 O-ring	1	032F0213
13 O-ring	1	
13 O-ring	1	
14 O-ring	1	
28 Rubber gasket	1	
45 Rubber gasket	1	
48 Flange gasket	2	
EVRAT 20		
Manual spindle		
Pos. 8 O-ring	1	032F0242
53 Spindle	1	



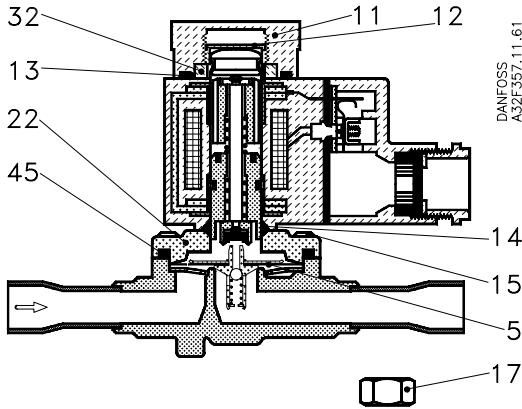
EVRAT 20 (NC) with plug-in armature tube assembly

Description	Qty	Code no. Normally Closed (NC)
EVRAT 20 Service kit		032F6265
Pos. 2 Screw	4	
5 Diaphragm assembly	1	
8 O-ring	1	
11 Nut	1	
12 Snap fastener	1	
13 O-ring	1	
14 O-ring	1	
16 Armature assembly, teflon	1	
28 Al. gasket	1	
45 Rubber gasket	1	
48 Flange gasket	2	
EVRAT 20 Service kit		032F6278
Pos. 5 Diaphragm assembly	1	
13 O-ring	1	
14 O-ring	1	
16 Armature assembly, rubber	1	
28 Al. gasket	1	
45 Rubber gasket	1	
EVRAT 20 Seal kit		032F6268
Pos. 8 O-ring	1	
13 O-ring	1	
14 O-ring	1	
28 Al. gasket	1	
45 Rubber gasket	1	
48 Flange gasket	2	
EVRAT 20 Manual spindle		032F0242
Pos. 8 O-ring	1	
53 Spindle	1	



EVRC 10 and 15 (NC)

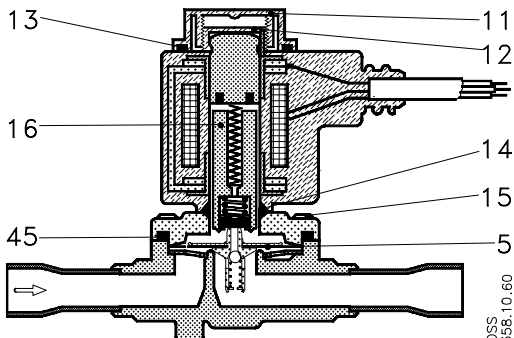
DANFOSS
A32F358.10.60



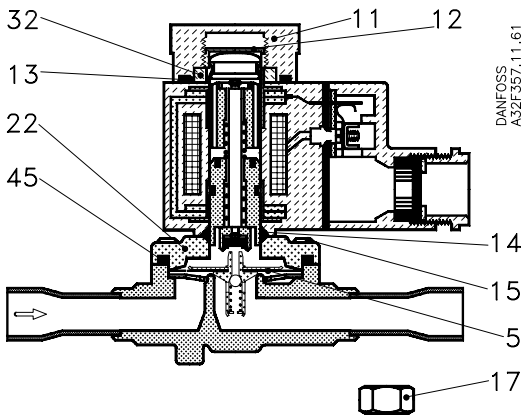
EVRC 10 and 15 (NO)

DANFOSS
A32F357.11.61

Description	Qty	Code no.
EVRC 10 (NC). Service kit		032F0294
5 Diaphragm assembly	1	
11 Nut	1	
12 Snap fastener	1	
13 O-ring	1	
14 O-ring	1	
15 Screw	4	
16 Armature assembly	1	
45 Rubber gasket, Torx key	1	
EVRC 10 (NO). Service kit		032F0297
5 Diaphragm assembly	1	
11 Nut	1	
12 Snap fastener	1	
13 O-ring	1	
14 O-ring	1	
15 Screw	4	
15 Screw	4	
17 Nut	4	
22 NO unit	1	
32 Spacer	1	
45 Rubber gasket Torx key	1	
EVRC 15 (NC). Service kit		032F0295
5 Diaphragm assembly	1	
11 Nut	1	
12 Snap fastener	1	
13 O-ring	1	
14 O-ring	1	
15 Screw	4	
16 Armature assembly	1	
45 Rubber gasket	1	
EVRC 15 (NO). Service kit		032F0298
5 Diaphragm assembly	1	
11 Nut	1	
12 Snap fastener	1	
13 O-ring	1	
14 O-ring	1	
15 Screw	4	
15 Screw	4	
17 Nut	4	
22 NO unit	1	
32 Spacer	1	
45 Rubber gasket Torx key	1	

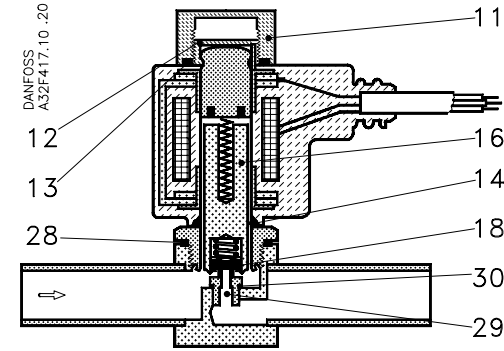


EVRC 20 (NC)



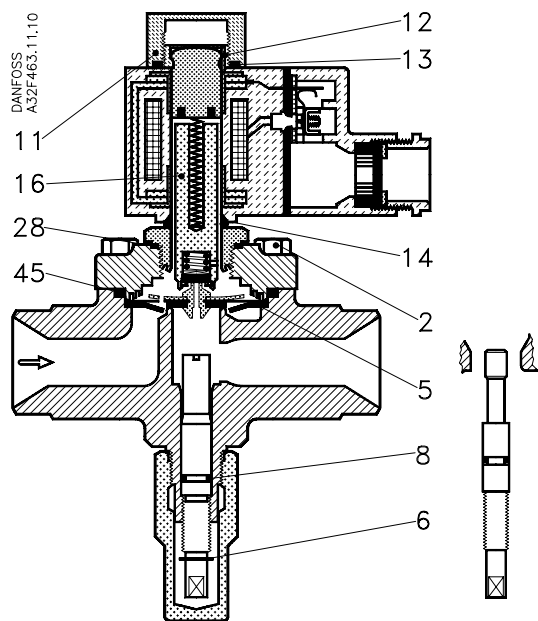
EVRC 20 (NO)

Description	Qty	Code no.
EVRC 20 (NC). Service kit		032F0296
5 Diaphragm assembly	1	
11 Nut	1	
12 Snap fastener	1	
13 O-ring	1	
14 O-ring	1	
15 Screw	4	
16 Armature assembly	1	
45 Rubber gasket	1	
Torx key	1	
EVRC 20 (NO). Service kit		032F0299
5 Diaphragm assembly	1	
11 Nut	1	
12 Snap fastener	1	
13 O-ring	1	
14 O-ring	1	
15 Screw	4	
15 Screw	4	
17 Nut	4	
22 NO unit	1	
32 Spacer	1	
45 Rubber gasket	1	
Torx key	1	



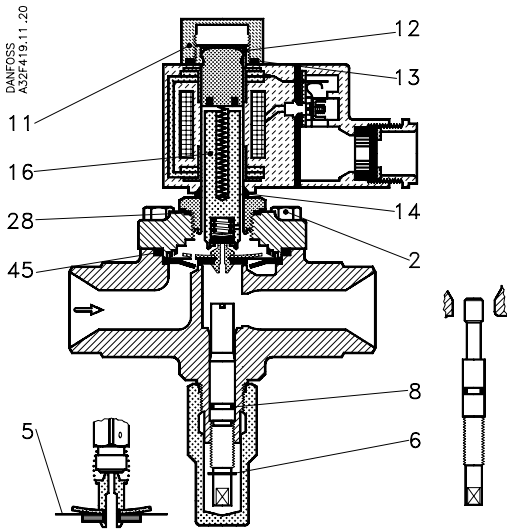
EVRS 3 (NC)

Description	Qty Normally Closed (NC)	Code no.
EVRS 3 Service kit		032F3110
Pos. 11 Nut	1	
12 Snap fastener	1	
13 O-ring	1	
14 O-ring	1	
16 Armature assembly	1	
28 Al. gasket	1	
29 Orifice	1	
30 Al. gasket	1	
EVRS 3 Seal kit		032F5287
Pos. 13 O-ring	1	
14 O-ring	1	
28 Al. gasket	1	



EVRS 10, 15 and 20

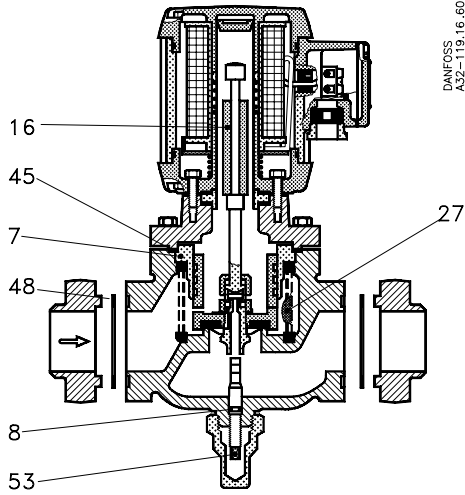
Description	Qty Normally Closed (NC)	Code no.
EVRS 10. Service kit		032F3111
Pos. 2 Screw	4	
5 Diaphragm assembly	1	
6 Locking ring	1	
8 O-ring	1	
11 Nut	1	
12 Snap fastener	1	
13 O-ring	1	
14 O-ring	1	
16 Armature assembly, teflon	1	
28 Al. gasket	1	
45 Rubber gasket	1	
EVRS 10. Seal kit		032F3109
Pos. 8 O-ring	1	
13 O-ring	1	
14 O-ring	1	
28 Al. gasket	1	
45 Rubber gasket	1	
EVRS 15. Service kit		032F3115
Pos. 2 Screw	4	
5 Diaphragm assembly	1	
6 Locking ring	1	
8 O-ring	1	
11 Nut	1	
12 Snap fastener	1	
13 O-ring	1	
14 O-ring	1	
16 Armature assembly,		
28 Al. gasket	1	
45 Rubber gasket	1	
EVRS 15. Seal kit		032F3109
Pos. 8 O-ring	1	
13 O-ring	1	
14 O-ring	1	
28 Al. gasket	1	
45 Rubber gasket	1	
EVRS 20. Service kit		032F1110
Pos. 2 Screw	4	
5 Diaphragm assembly	1	
6 Locking ring	1	
8 O-ring	1	
11 Nut	1	
12 Snap fastener	1	
13 O-ring	1	
14 O-ring	1	
16 Armature assembly,		
28 Al. gasket	1	
45 Rubber gasket	1	
EVRS 20. Seal kit		032F1109
Pos. 8 O-ring	1	
13 O-ring	1	
14 O-ring	1	
28 Al. gasket	1	
45 Rubber gasket	1	



EVRST 10, 15 and 20

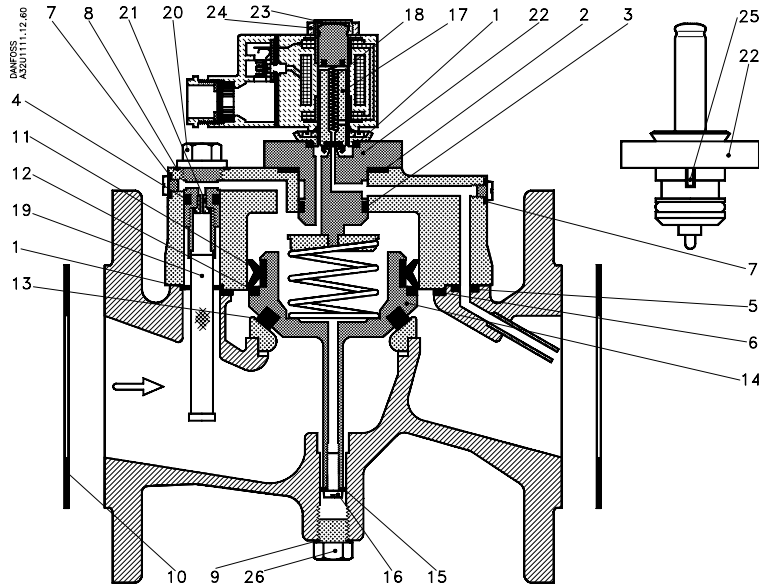
Description	Qty Normally Closed (NC)	Code no.
EVRST 10. Service kit		032F3114
Pos. 2 Screw	4	
5 Diaphragm assembly	1	
6 Locking ring	1	
8 O-ring	1	
11 Nut	1	
12 Snap fastener	1	
13 O-ring	1	
14 O-ring	1	
16 Armature assembly	1	
28 Al. gasket	1	
45 Rubber gasket	1	
EVRST 10. Seal kit		032F3109
Pos. 8 O-ring	1	
13 O-ring	1	
14 O-ring	1	
28 Al. gasket	1	
45 Rubber gasket	1	
EVRST 15. Service kit		032F3116
Pos. 2 Screw	4	
5 Diaphragm assembly	1	
6 Locking ring	1	
8 O-ring	1	
11 Nut	1	
12 Snap fastener	1	
13 O-ring	1	
14 O-ring	1	
16 Armature assembly, teflon	1	
28 Al. gasket	1	
45 Rubber gasket	1	
EVRST 15. Seal kit		032F3109
Pos. 8 O-ring	1	
13 O-ring	1	
14 O-ring	1	
28 Al. gasket	1	
45 Rubber gasket	1	
EVRST 20. Service kit		032F1111
Pos. 2 Screw	4	
5 Diaphragm assembly	1	
6 Locking ring	1	
8 O-ring	1	
11 Nut	1	
12 Snap fastener	1	
13 O-ring	1	
14 O-ring	1	
16 Armature assembly, teflon	1	
28 Al. gasket	1	
45 Rubber gasket	1	
EVRST 20. Seal kit		032F1109
Pos. 8 O-ring	1	
13 O-ring	1	
14 O-ring	1	
28 Al. gasket	1	
45 Rubber gasket	1	

EVSA 25, 35 and 50



DANFOSS
A32-119.16.60

		Size 25	Size 35	Size 50
Description	Qty	Code no.	Code no.	Code no.
Service kit				
Pos. 7	Guide bush	1		
8	O-ring	1		
16	Armature assembly, teflon	1		
45	Gasket	1		
48	Flange gasket	2		
	Gasket for bottom plug	1		
Seal kit				
Pos. 8	O-ring	1		
45	Gasket	1		
48	Flange gasket	2		
	Gasket for bottom plug	1		
Manual spindle				
Pos. 8	O-ring	1		
53	Spindle	1		
Filter				
Pos.27	Filter assembly	1		



Description	Qty	EVSI 65	EVSI 80	EVSI 100
		Code no.	Code no.	Code no.
Service kit		016D0078	016D0079	016D0080
Pos. 1 O-ring	2			
5 O-ring	1			
6 O-ring	1			
11 Sleeve	1			
12 Piston ring	1			
13 Piston seat ring	1			
14 Servo piston	1			
15 Copper gasket	1			
16 Screw	1			
17 Armature assembly	1			
18 Spring	1			
Proba grease	1			
Service kit		016D0092	016D0093	016D0093
Pos. 4 O-ring	1			
8 Gasket	1			
19 Filter assembly	1			
Proba grease	1			
Service kit		016D0094	016D0094	016D0094
Pos. 4 O-ring	1			
8 Gasket	1			
20 Filter holder	1			
21 Orifice	1			
Service kit		016D0101	016D0101	016D0101
Pos.22 Pilot insert	1			
23 Snap fastener	1			
24 Nut	1			
25 Screw	2			
Service kit		016D0087	016D0087	016D0087
Pos. 9 Gasket	1			
26 Bottom plug	1			
Seal kit		016D0075	016D0076	016D0077
Pos. 1 O-ring	2			
2 Rubber gasket	1			
3 O-ring	1			
4 O-ring	1			
5 O-ring	1			
6 O-ring	1			
7 Seal ring	2			
8 Gasket	1			
9 Gasket	1			
10 Flange gasket	2			
Proba grease	1			

EVSR 10, 12, 14, 18 and 22 (NC)

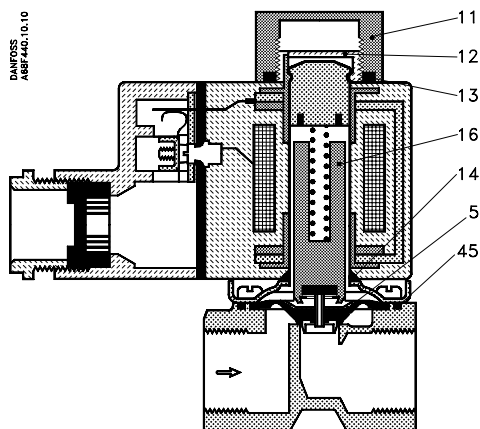


Fig. 1 EVSR 10

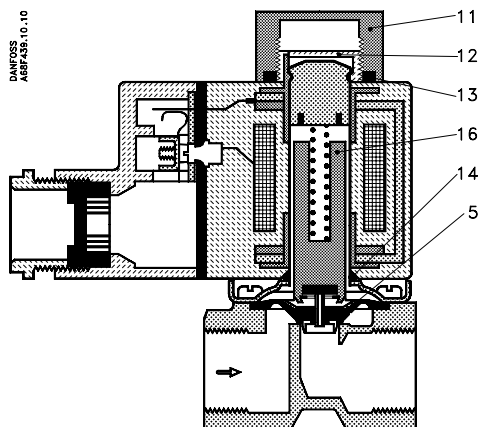
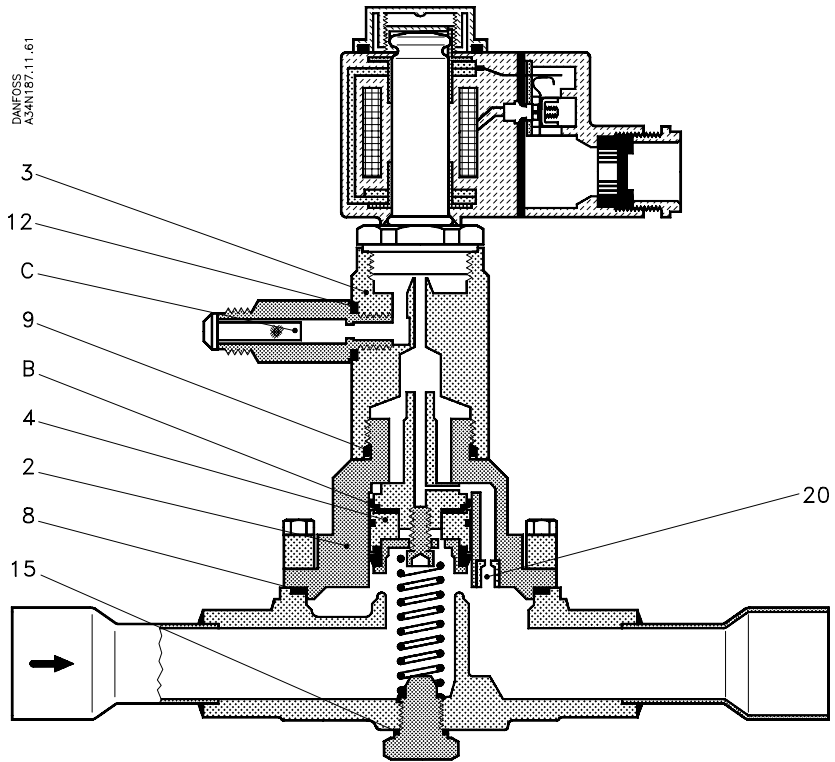


Fig. 2 EVSR 12, 14, 18, 22

Description	Qty Normally Closed (NC)	Code no.
EVSR 10. Service kit, fig 1		068F4000
Pos. 5 Diaphragm assembly	1	
11 Nut	1	
12 Snap fastener	1	
13 O-ring	1	
14 O-ring	1	
16 Armature assembly	1	
45 O-ring	1	
EVSR 12. Service kit, fig 2		068F4001
Pos. 5 Diaphragm assembly	1	
11 Nut	1	
12 Snap fastener	1	
13 O-ring	1	
14 O-ring	1	
16 Armature assembly	1	
EVSR 14. Service kit, fig 2		068F4002
Pos. 5 Diaphragm assembly	1	
11 Nut	1	
12 Snap fastener	1	
13 O-ring	1	
14 O-ring	1	
16 Armature assembly	1	
EVSR 18. Service kit, fig 2		068F4003
Pos. 5 Diaphragm assembly	1	
11 Nut	1	
12 Snap fastener	1	
13 O-ring	1	
14 O-ring	1	
16 Armature assembly	1	
EVSR 22. Service kit, fig 2		068F4004
Pos. 5 Diaphragm assembly	1	
11 Nut	1	
12 Snap fastener	1	
13 O-ring	1	
14 O-ring	1	
16 Armature assembly	1	

PKVD



Description	Qty	PKVD 12	PKVD 15	PKVD 20
		Code no. Normally Open (NO)	Code no. Normally Open (NO)	Code no. Normally Open (NO)
Piston / cylinder kit		034N1143	034N1144	034N1145
pos. 2 Cylinder	1			
4 Piston assembly	1			
8 Gasket	1			
9 O-ring	1			
20 Orifice	1			
Seal kit		034N1140	034N1141	034N1142
pos. 8 Gasket	1			
9 O-ring	1			
12 Al. gasket	2			
15 Gasket (PKVD 15 only)	1			
Cup seal		034N1150	034N1151	034N1152
pos. B Cup seal	10			
Filter service kit		034N1146	034N1146	034N1146
pos. C Filter	1			
Pilot assembly		034N1153	034N1153	034N1153
pos. 3 Pilot assembly	1			
9 O-ring	1			
C Filter	1			

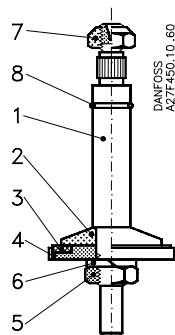


Fig. 1. Push rod assembly for PML, sizes 32 to 65

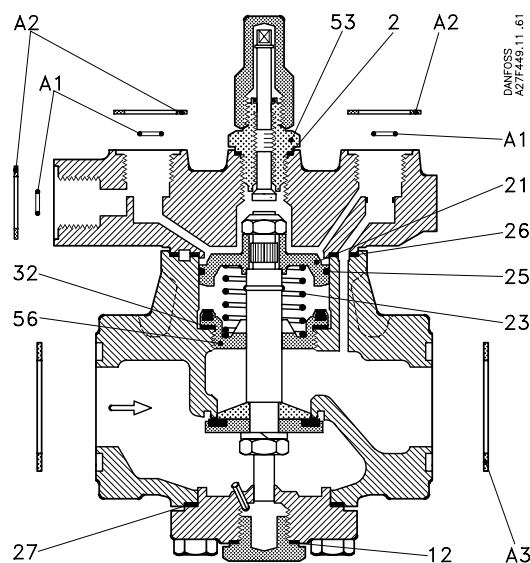


Fig. 2. PML, sizes 32 to 65

Description	Qty	Size 32	Size 40	Size 50	Size 65
		Code no.	Code no.	Code no.	Code no.
Push rod assembly, fig. 1		027F0266	027F0267	027F0268	027F0269
Pos. 1 Push rod	1				
2 Cone	1				
3 Valve plate	1				
4 Clamping plate	1				
5 Nut	1				
6 Spring washer	1				
7 Nut	1				
8 Locking ring	1				
Valve plate, fig. 1		027F0685	027F0686	027F0687	027F0688
Pos. 3 Valve plate	1				
Manual operation, fig. 2		027F2130	027F2130	027F2130	027F2130
Pos. 2 Alu gasket	1				
53 Manual operation	1				
Piston ring, fig. 2		027F0651	027F0652	027F0653	027F0654
Pos. 25 Piston ring	1				
Piston assembly, fig. 2		027F2153	027F2154	027F2155	027F2156
Pos. 21 Piston	1				
25 Piston ring	1				
Main spring, fig. 2		027F0906	027F0907	027F0908	027F0909
Pos. 23 Spring	1				

Spare Parts for EVM Pilot valves, see RX.4X.B

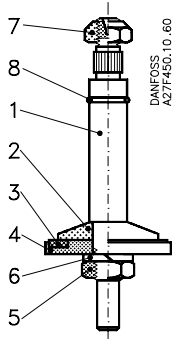


Fig. 1. Push rod assembly for PML, sizes 32 to 65

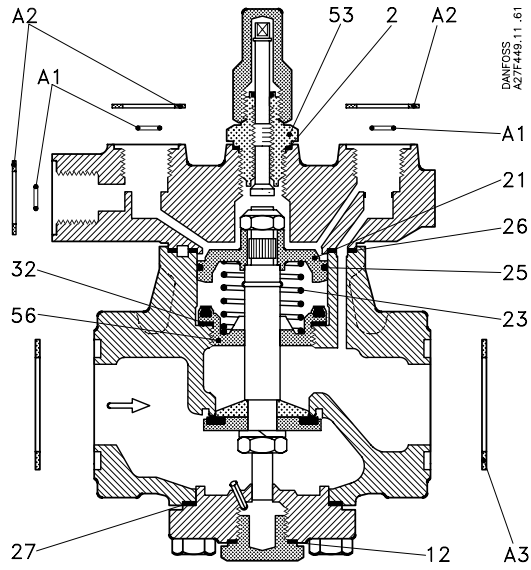


Fig. 2. PML, sizes 32 to 65

Description	Qty	Size 32	Size 40	Size 50	Size 65
		Code no.	Code no.	Code no.	Code no.
Gasket set, fig. 2		027F2171	027F2172	027F2173	027F2174
Pos. 26 Gasket	1				
27 Gasket	1				
Seal kit, fig. 2		027F0087	027F0088	027F0089	027F0090
Pos. 2 Alu gasket	1				
12 Gasket	1				
26 Gasket	1				
27 Gasket	1				
A1 O-ring	3				
A2 Gasket	3				
A3 Gasket	2				
Intermediate plate, fig. 2		027F0106	027F0107	027F0108	027F0109
Pos. 32 Gasket	1				
56 Intermediate plate	1				
Flange gaskets, fig. 2		027F2176	027F2177	027F2178	027F2179
Pos. A3 Gasket	2				

Spare Parts for EVM Pilot valves, see RX.4X.B

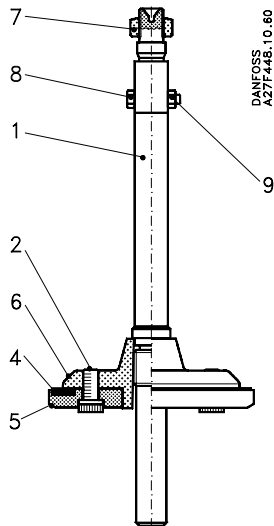


Fig. 3. Push rod assembly for PML, sizes 80 to 125

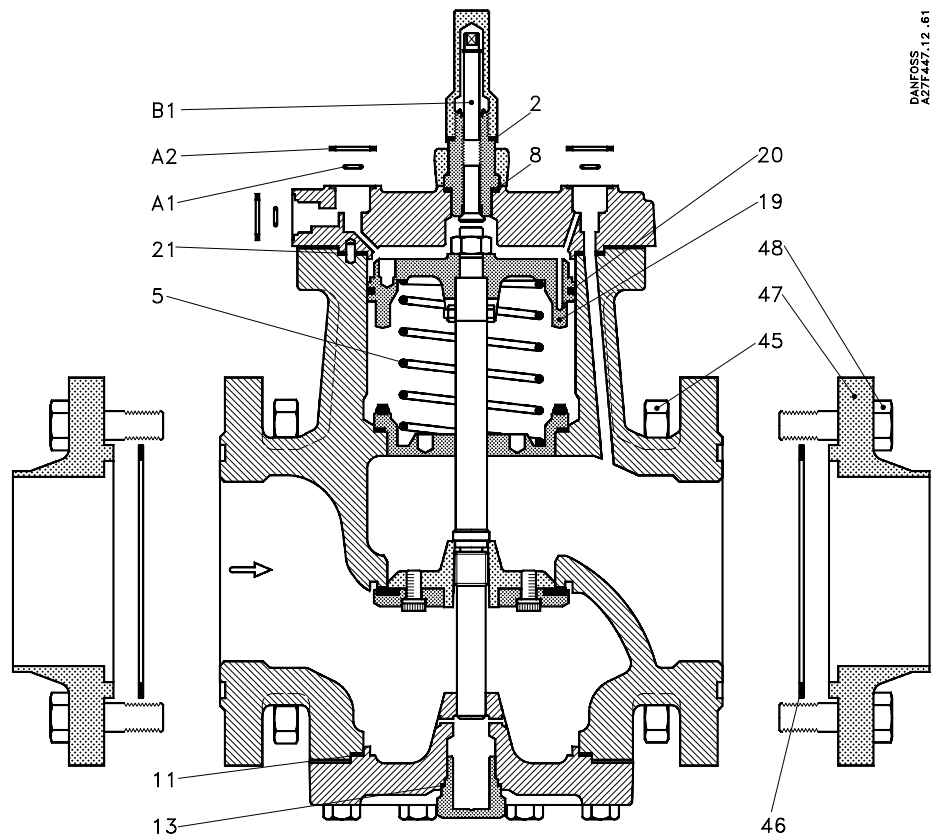
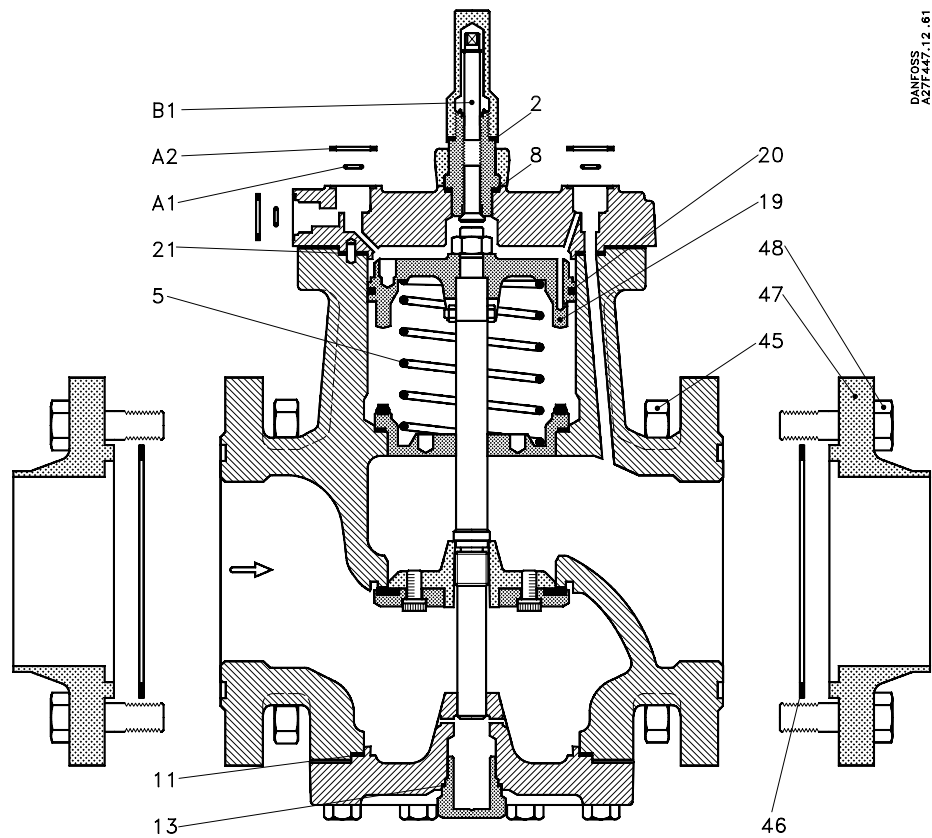
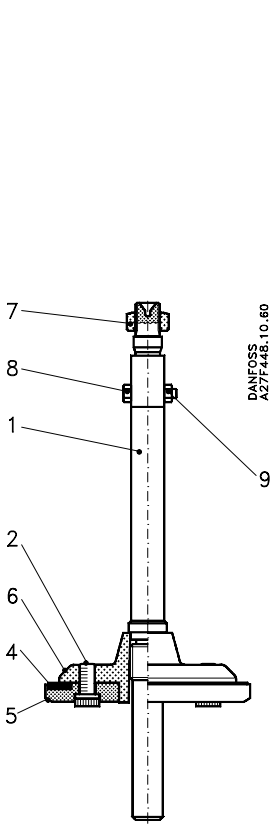


Fig. 4. PML, sizes 80 to 125

Description	Qty	Size 80	Size 100	Size 125
		Code no.	Code no.	Code no.
Push rod assembly, fig. 3		027F1209	027F1210	027F1211
Pos. 1 Push rod	1			
2 Screw	6			
4 Valve plate	1			
5 Clamping plate	1			
6 Cone	1			
7 Nut	1			
8 Screw	1			
9 Nut	1			
Valve plate, fig. 3		027F0695	027F0696	027F0697
Pos. 4 Valve plate	1			
Manual operation, fig. 4		027F2134	027F2134	027F2134
Pos. 8 Gasket	1			
B1 Manual operation	1			
Piston ring, fig. 4		027F1246	027F1247	027F1248
Pos. 20 Piston ring	1			
Piston assembly, fig. 4		027F2157	027F2158	027F2159
Pos. 19 Piston	1			
20 Piston ring	1			
Main spring, fig. 4,		027F2143	027F2144	027F2145
Pos. 5 Spring	1			

Spare Parts for EVM Pilot valves, see RX.4X.B



DANFOSS AZ7F447.12.61

Fig. 3. Push rod assembly for PML, sizes 80 to 125

Fig. 4. PML, sizes 80 to 125

Description	Qty	Size 80	Size 100	Size 125
		Code no.	Code no.	Code no.
Gasket set, fig. 4		027F2183	027F2184	027F2185
Pos. 11 Gasket	1			
21 Gasket	1			
Seal kit, fig. 4		027F1233	027F1234	027F1235
Pos. 2 Alu gasket	1			
8 Gasket	1			
11 Gasket	1			
13 Alu gasket	1			
21 Gasket	1			
46 Flang gasket	2			
A1 O-ring	3			
A2 Gasket	2			
Flange set, fig. 4		027F2123	027F2124	027F2125
Pos. 47 Flange	2			
Flange gaskets, fig. 4		027F2120	027F2121	027F2122
Pos. 46 Gasket	2			
Flange bolts and nuts, fig. 4		027F2126	027F2127	027F2128
Pos. 45 Nut	16			
48 Bolt	16			

Spare Parts for EVM Pilot valves, see RX.4X.B

Description	Qty	Code no.
External pilot connector		
Weld, PML 32 to PML 65, ID 12.7 mm / OD 18 mm		027F1048
Weld, PML to PML 125, ID 12.7 mm / OD 18 mm		027F1049
1/4 NPT, PML 32 to PML 65		027B2065
1/4 NPT, PML to PML 125		027B2066
Nipple assembly	1	
Damping orifice, dia. 1.0 mm	1	
O-ring	1	
Gasket	1	
Seal kit for external pilot connector		027F1004
Alu gasket	4	
Gasket	4	
O-ring	4	

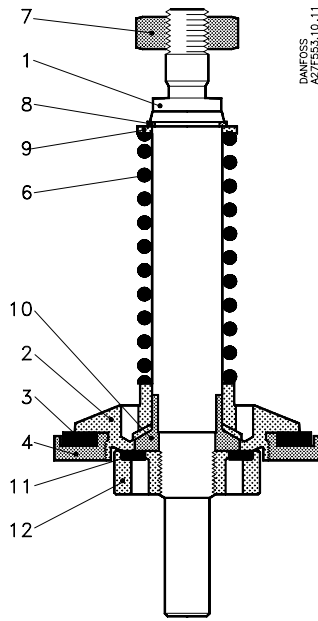


Fig.1 Push rod assembly

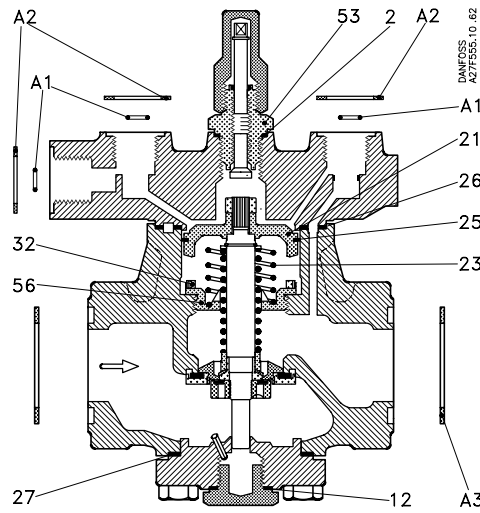


Fig. 2 PMLX 32 to 65

Description	Qty	Size 32	Size 40	Size 50	Size 65
		Code no.	Code no.	Code no.	Code no.
Push rod assembly, fig. 1		027F2281	027F2282	027F2283	027F2284
Pos. 1 Push rod	1				
2 Cone	1				
3 Valve plate	1				
4 Clamping plate	1				
6 Spring	1				
7 Nut	1				
8 Locking ring	1				
9 Washer	1				
10 Bushing	1				
11 Valve plate	1				
12 Nut	1				
Valve plate, fig. 1		027F0685	027F0686		
Pos. 3 Valve plate	1				
Valve plate, fig. 1		027F2292	027F2292	027F2293	027F2293
Pos. 11 Valve plate	1				
Manual operation, fig. 2		027F2130	027F2130	027F2130	027F2130
Pos. 2 Alu gasket	1				
53 Manual operation	1				
Piston ring, fig. 2		027F0651	027F0652	027F0653	027F0654
Pos. 25 Piston ring	1				
Piston assembly, fig. 2		027F2153	027F2154	027F2155	027F2156
Pos. 21 Piston	1				
25 Piston ring	1				
Main spring, fig. 2		027F0906	027F0907	027F0908	027F0909
Pos. 23 Spring					

Spare Parts for EVM Pilot valves, see RX.4X.B1.02

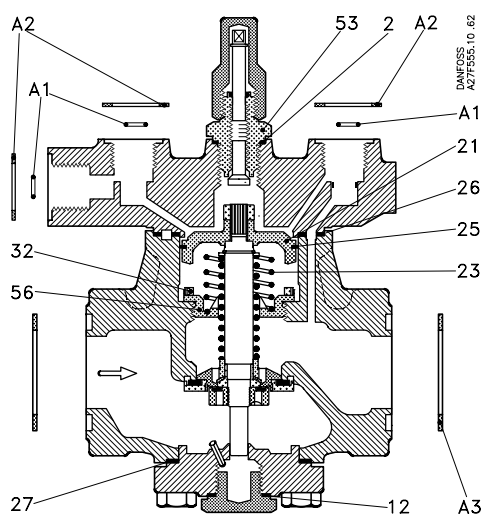


Fig. 2 PMLX 32 to 65

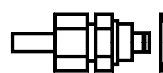


Fig 3. External connector



Fig 4. Seal kit for external connector

Description	Qty	Size 32	Size 40	Size 50	Size 65
		Code no.	Code no.	Code no.	Code no.
Gasket set, fig. 2		027F2171	027F2172	027F2173	027F2174
Pos. 26 Gasket	1				
27 Gasket	1				
Seal kit, fig. 2		027F0087	027F0088	027F0089	027F0090
Pos. 2 Alu gasket	1				
12 Gasket	1				
26 Gasket	1				
27 Gasket	1				
A1 O-ring	3				
A2 Gasket	3				
A3 Gasket	2				
Intermediate plate, fig. 2		027F2288	027F2289	027F2290	027F2291
Pos. 32 Gasket	1				
56 Intermediate plate	1				
Flange gaskets, fig. 2		027F2176	027F2177	027F2178	027F2179
Pos. A3 Gasket	2				
Accessories for PMLX					
External pilot connector, fig. 3		027F1048	027F1048	027F1048	027F1048
Weld, ID 12.7 mm / OD 18 mm		027B2065	027B2065	027B2065	027B2065
1/4 NPT					
Nipple assembly	1				
Damping orifice, dia. 1.0 mm	1				
O-ring	1				
Gasket	1				
Seal kit for external connector, fig.4		027F1004	027F1004	027F1004	027F1004
Alu gasket	4				
Gasket	4				
O-ring	4				
Spare Parts for EVM Pilot valves, see RX.4X.B1.02					

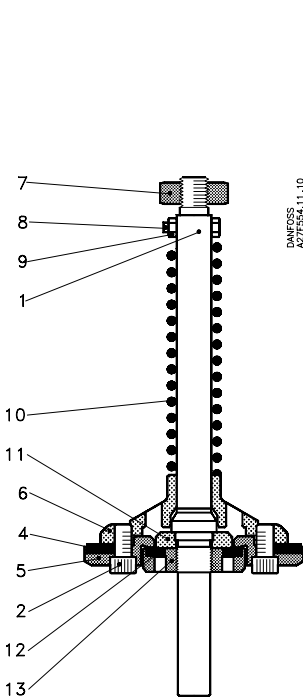


Fig. 1 Push rod assembly

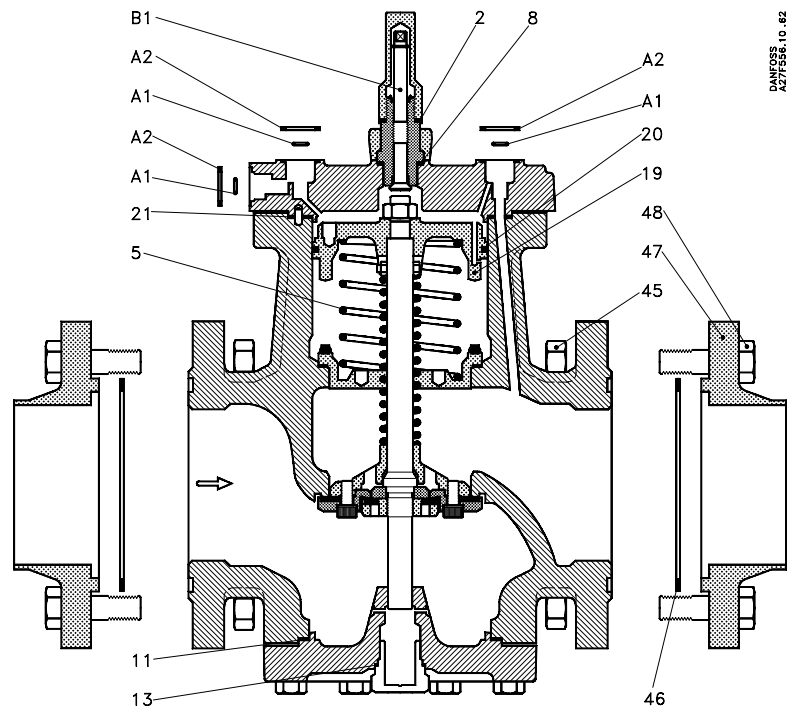


Fig. 2 PMLX 80 to 125

Description	Qty	Size 80	Size 100	Size 125
		Code no.	Code no.	Code no.
Push rod assembly, fig. 1		027F2285	027F2286	027F2287
Pos. 1 Push rod	1			
2 Screw	6			
4 Valve plate	1			
5 Clamping plate	1			
6 Cone	1			
7 Nut	1			
8 Screw	1			
9 Nut	1			
10 Spring	1			
11 Washer	1			
12 Valve plate	1			
13 Nut	1			
Valve plate, fig. 1		027F0695	027F0696	027F0697
Pos. 4 Valve plate	1			
Valve plate, fig. 1		027F2296	027F2297	027F2298
Pos. 12 Valve plate	1			
Manual operation, fig. 2		027F2134	027F2134	027F2134
Pos. 8 Gasket	1			
B1 Manual operation	1			
Piston ring, fig. 2		027F1246	027F1247	027F1248
Pos. 20 Piston ring	1			
Piston assembly, fig. 2		027F2157	027F2158	027F2159
Pos. 19 Piston	1			
20 Piston ring	1			
Main spring, fig. 2		027F2143	027F2144	027F2145
Pos. 5 Spring	1			

Spare Parts for EVM Pilot valves, see RX.4X.B1.02

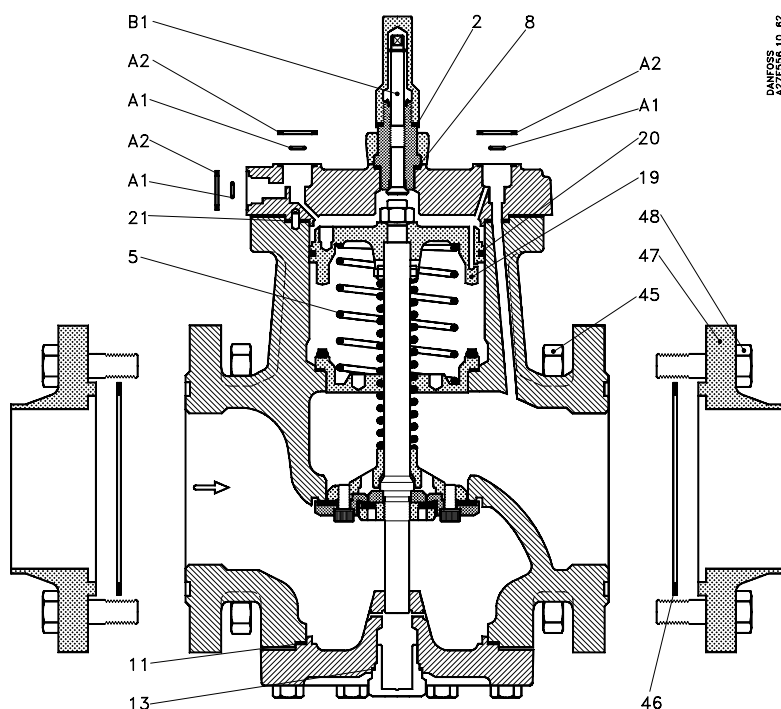


Fig. 2 PMLX 80 to 125

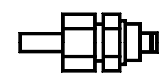


Fig 3. External connector



Fig 4. Seal kit for external connector

Description	Qty	Size 80	Size 100	Size 125
		Code no.	Code no.	Code no.
Gasket set, fig. 2		027F2183	027F2184	027F2185
Pos. 11 Gasket	1			
21 Gasket	1			
Seal kit, fig. 2		027F1233	027F1234	027F1235
Pos. 2 Alu gasket	1			
8 Gasket	1			
11 Gasket	1			
13 Alu gasket	1			
21 Gasket	1			
46 Flange gasket	2			
A1 O-ring	3			
A2 Gasket	3			
Flange set, fig. 2		027F2123	027F2124	027F2125
Pos. 47 Flange	2			
Flange gaskets, fig. 2		027F2120	027F2121	027F2122
Pos. 46 Gasket	2			
Flange bolts and nuts, fig. 2		027F2126	027F2127	027F2128
Pos. 45 Nut	16			
48 Bolt	16			
Accessories for PMLX				
External pilot connector, fig. 3		027F1049	027F1049	027F1049
Weld, ID 12.7 mm / OD 18 mm		027B2066	027B2066	027B2066
1/4 NPT				
Nipple assembly	1			
Damping orifice, dia. 1.0 mm	1			
O-ring	1			
Gasket	1			
Seal kit for pilot connector, fig. 4		027F1004	027F1004	027F1004
Alu gasket	4			
Gasket	4			
O-ring	4			

Spare Parts for EVM Pilot valves, see RX.4X.B1.02

Type 111 - standard (DN 40-150)

Type 112 - equipped with forced closing device (DN 40-100)

(Type 114 - equipped with position indicator (DN 40-100) - contact Danfoss)

- 15 Gasket for cone
- 16 Gasket for cone
- 17 Sealing ring for guide piece
- 18 Sealing ring for piston
- 19 O-ring for guide piece
- 20 O-ring for piston
- 21 O-ring / gasket (only for size 125) for housing / guide piece
- 22 O-ring for cylinder
- 23 O-ring for end cover type 111-114
- 24 O-ring for cap type 111 - 114
- 33 Gasket for spindle
- 59 O-ring for bonnet type 112
- 61 Solenoid valve
- 63 Bolts for solenoid valve
- 65 O-ring for connection part / solenoid valve
- 66 O-ring for nipple
- 67 Gasket for nipple
- 70 Gasket for cap type 112
- 71 Packing gland incl. gaskets type 112
- 71a Gaskets complete for packing gland

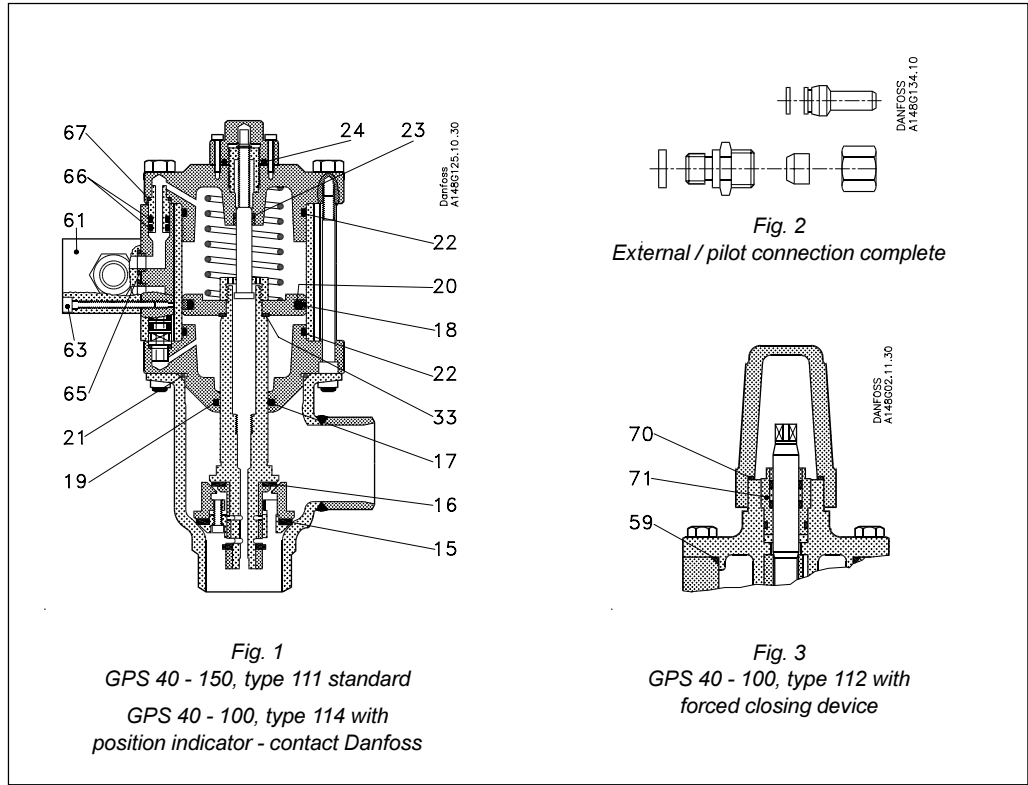
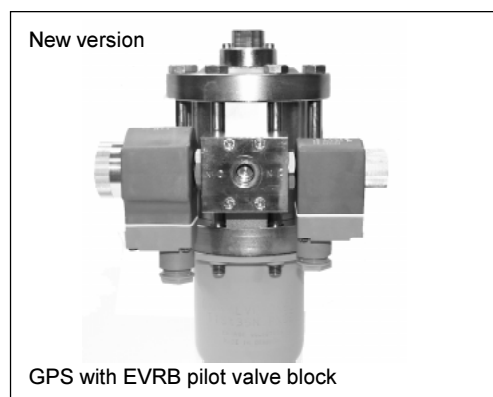
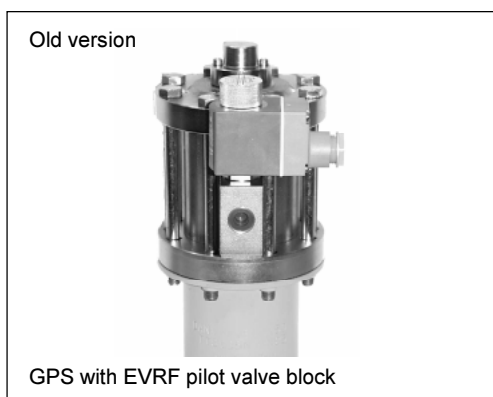


Fig. 1
GPS 40 - 150, type 111 standard
GPS 40 - 100, type 114 with
position indicator - contact Danfoss

Fig. 2
External / pilot connection complete

Fig. 3
GPS 40 - 100, type 112 with
forced closing device

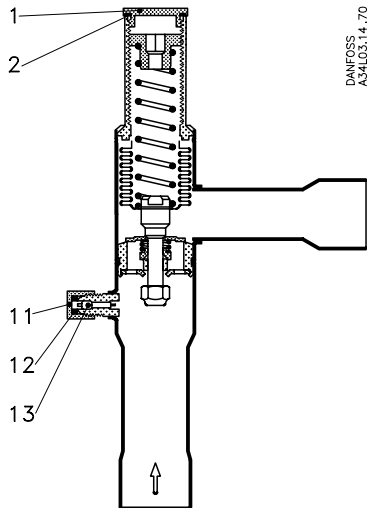
Description	Type	Pos.	Size				
			40 - 50 (1½ - 2 in.)	65 - 80 (2½ - 3 in.)	100 (4 in.)	125 (5 in.)	150 (6 in.)
			Code no.				
Spare part kit, for top / housing and cap (Dismounting set)	all	21-24-70	148G3218	148G3219	148G3220	148G3221	148G3222
Repair kit, complete set of gaskets	all	15-16-17-18-19-20-21-22-23-24-33-59-65-66-67-70-71a	2453+047	2453+048	2453+049	2453+055	2453+068
Packing gland incl. gaskets (with O-rings)	112	71	148B4087	148B4088		-	-
Grease for packing gland (tube)	-	-	2452+143		-	-	-
Complete pilot valve block type EVRB without coils	all	61-63-65	2453+103				
Coil set	24 V 50 Hz	all	2425+377				
Coil set	110 V 60 Hz	all	2425+378				
Coil set	220/230 V 50 Hz	all	2425+379				
Coil set	220 V 60 Hz	all	2425+380				
External / pilot connection complete	all	Fig. 2	2469+009				



For old 3 way pilot valve type EVRF must be rebuilt to the new valve block type EVRB.

					Size				
					40 - 50 (1½ - 2 in.)	65 - 80 (2½ - 3 in.)	100 (4 in.)	125 (5 in.)	150 (6 in.)
Description		Type	Pos.	Code no.					
Rebuilding set EVRF → EVRB	24 V	50 Hz	all	-	2453+106	2453+110	2453+114		
	110 V	60 Hz	all	-	2453+107	2453+111	2453+115		
	220 V	50 Hz	all	-	2453+108	2453+112	2453+116		
	220 V	60 Hz	all	-	2453+109	2453+113	2453+117		

KVP



Contents	Qty	Code no.
KVP 12, 15 and 22		
Seal kit, fig. 1		034L0201
pos. 1 Cap	1	
2 Rubber gasket	1	
KVP 28 and 35		
Seal kit, fig. 1		034L0202
pos. 1 Cap	1	
2 Rubber gasket	1	
KVP 12 to 35		
Schrader valve, fig. 1		034L0006
pos. 13 Valve assembly	1	
Seal kit for Schrader valve, fig. 1		034L0203
pos. 11 Cap	1	
12 Gasket	1	

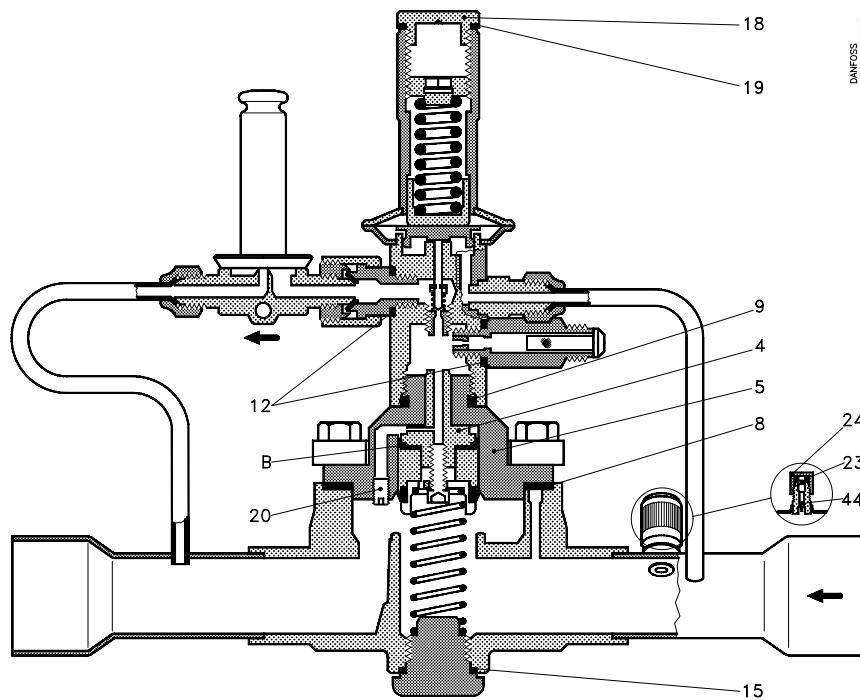


Fig. 1

Contents	Qty	Size 12	Size 15	Size 20
		Code no.	Code no.	Code no.
Piston/cylinder kit, fig. 1		034N1143	034N1144	034N1145
pos. 4 Piston assembly	1			
5 Cylinder	1			
8 Gasket	1			
9 O-ring	1			
20 Plug for PKV/PKVS	1			
Seal kit, fig. 1		034N1140	034N1141	034N1142
pos. 8 Gasket	1			
9 O-ring	1			
12 Alu gasket	2			
15 Gasket (PKV 15 only)	1			
19 Rubber gasket	1			
Cup seal, fig. 1		034N1150	034N1151	034N1152
pos. B Cup seal	10			
Seal kit, fig. 1		034N0201	034N0201	034N0201
pos. 18 Cap	1			
19 Rubber gasket	1			
Schrader valve, fig. 1		034L0006	034L0006	034L0006
pos. 44 Valve assembly	1			
Seal kit for Schrader valve, fig. 1		034L0203	034L0203	034L0203
pos. 23 Gasket	1			
24 Cap	1			

To be continued (page 2)

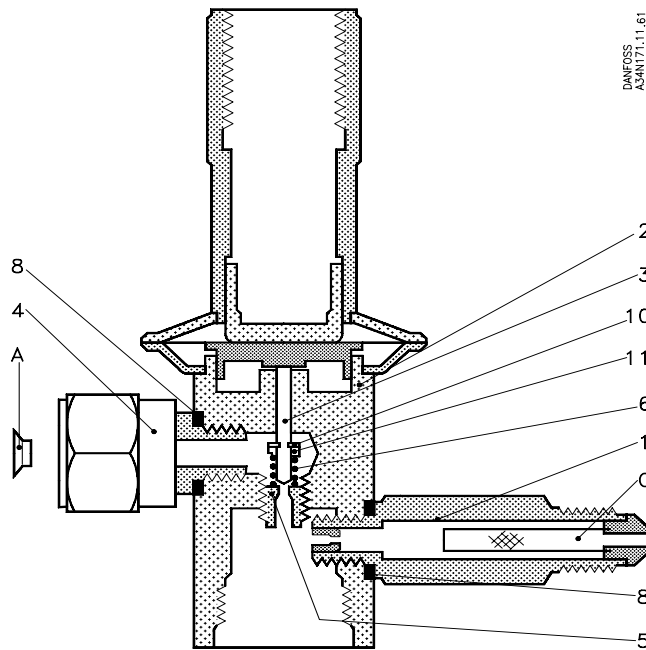
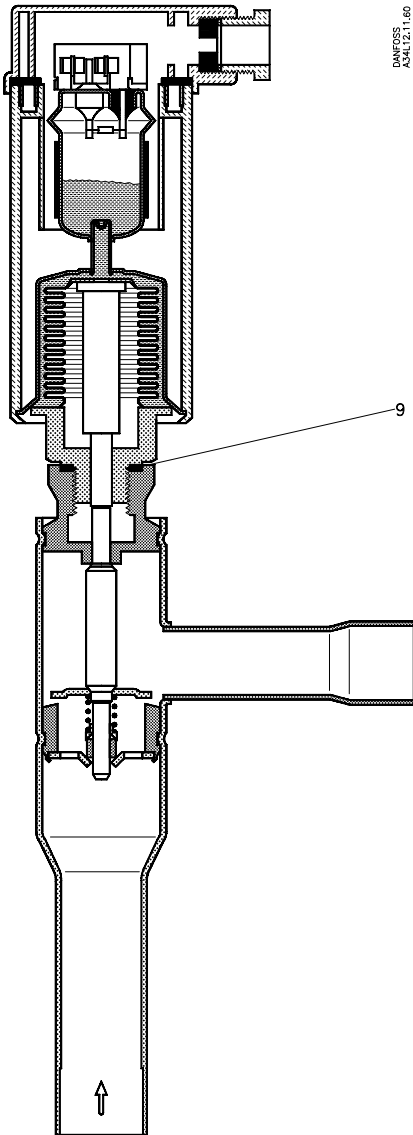


Fig. 2

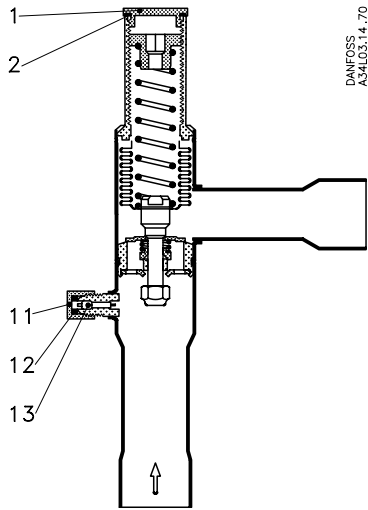
ContentsQty	Size 12	Size 15	Size 20
	Code no.	Code no.	Code no.
Orifice service kit, fig. 2			
pos. 1 Orifice assembly	034N1147	034N1147	034N1147
8 Alu gasket			
C Filter			
Filter service kit, fig. 2			
C Filter	034N1146	034N1146	034N1146
Pilot assembly, fig. 2			
1 Orifice assembly	034N1148	034N1148	034N1148
2 Element assembly			
3 Pin			
4 Fitting assembly			
5 Pilot seat			
6 Pilot spring			
8 Alu gasket			
10 Locking ring			
11 Spring guide			
A Cu gasket			
Fitting assembly, fig. 2			
4 Fitting	034N1149	034N1149	034N1149
8 Alu gasket			
A Cu gasket			

KVQ 15, 22, 28, 35



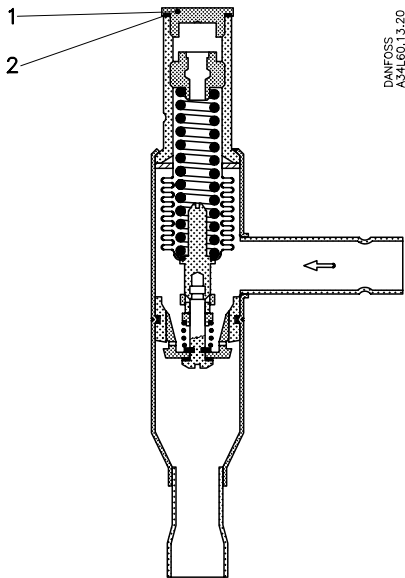
Description	Qty	Code no.
Seal kit		034L0008
Pos. 9 Gasket KVQ 15, 22	25	
9 Gasket KVQ 28, 35	25	

KVR



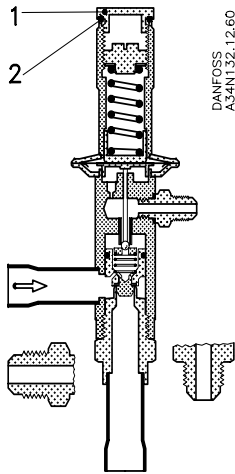
Contents	Qty	Code no.
KVR 12, 15 and 22		
Seal kit, fig. 1		034L0201
pos. 1 Cap	1	
2 Rubber gasket	1	
KVR 28 and 35		
Seal kit,		034L0202
pos. 1 Cap	1	
2 Rubber gasket	1	
KVR 12 to 35		
Schrader valve		034L0006
pos. 13 Valve assembly	1	
Seal kit for Schrader valve		034L0203
pos. 11 Cap	1	
12 Gasket	1	

KVC 12, 15, and 22



Contents	Qty	Code no.
Seal cap		034N0201
pos. 1 Cap	1	
2 Rubber gasket	1	

CPCE 12, 15, and 22



Contents	Qty	Code no.
Seal cap		034N0201
pos. 1 Cap	1	
2 Rubber gasket	1	

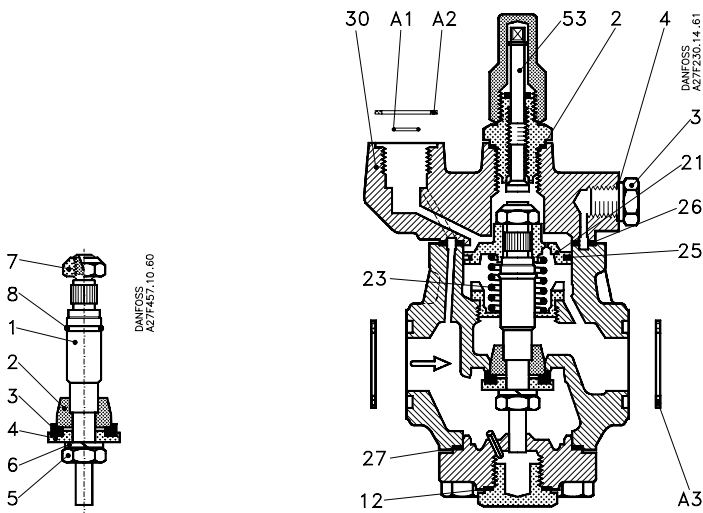


Fig. 1. Push rod assembly for PMC, sizes 5 to 20

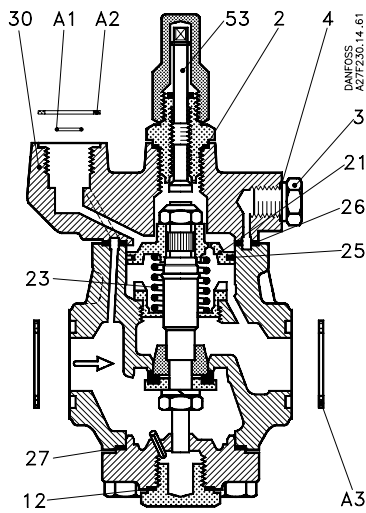


Fig. 2. PMC 1, sizes 5 to 20

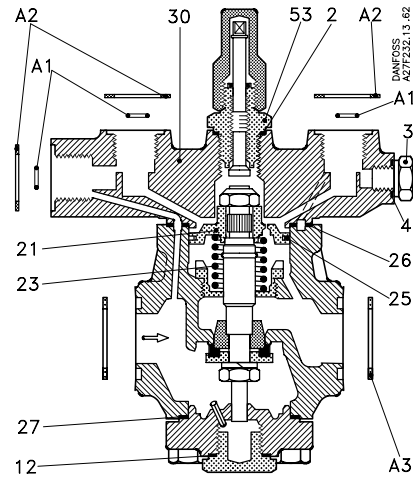


Fig. 3. PMC 3, sizes 5 to 20

Description	Qty	Size 5	Size 8	Size 12	Size 20
		Code no.	Code no.	Code no.	Code no.
Push rod assembly, fig. 1		027F0160	027F0161	027F0162	027F0163
Pos. 1 Push rod	1				
2 Cone	1				
3 Valve plate	1				
4 Clamping plate	1				
5 Nut	1				
6 Spring washer	1				
7 Nut	1				
8 Locking ring	1				
Valve plate, fig. 1		027F0683	027F0683	027F0683	027F0683
Pos. 3 Valve plate	1				
Manual operation, figs. 2 and 3		027F2130	027F2130	027F2130	027F2130
Pos. 2 Alu gasket	1				
53 Manual operation	1				
Piston ring, figs. 2 and 3		027F0649	027F0649	027F0649	027F0649
Pos. 25 Piston ring	1				
Piston assembly, figs. 2 and 3		027F0400	027F0400	027F0400	027F0400
Pos. 21 Piston	1				
25 Piston ring	1				
Servo spring, figs. 2 and 3		027F0910	027F0910	027F0910	027F0910
Pos. 23 Spring	1				
Top cover, PMC 1, fig. 2		027F0640	027F0640	027F0640	027F0640
Pos. 2 Alu gasket	1				
3 Plug	1				
4 Alu gasket	1				
26 Gasket	1				
30 Top cover	1				
53 Manual operation	1				

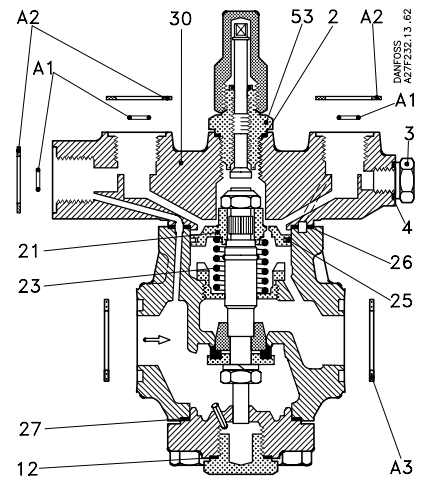
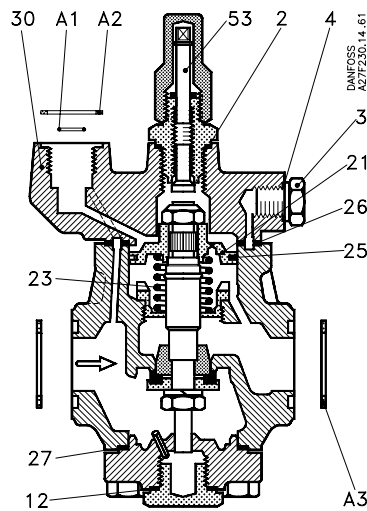
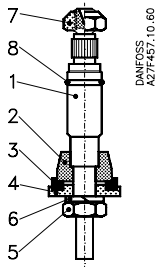


Fig. 1. Push rod assembly for PMC, sizes 5 to 20

Fig. 2. PMC 1, sizes 5 to 20

Fig. 3. PMC 3, sizes 5 to 20

Size 20		Size 5	Size 8	Size 12
Description	Qty	Code no.	Code no.	Code no.
Top cover, PMC 3, fig. 3		027F0645	027F0645	027F0645
Pos. 2 Alu gasket	1			
3 Plug	1			
4 Alu gasket	1			
26 Gasket	1			
30 Top cover	1			
53 Manual operation	1			
Seal kit, figs. 2 and 3		027F2170	027F2170	027F2170
Pos. 26 Gasket	1			
27 Gasket	1			
Seal kit, figs. 2 and 3		027F0086	027F0086	027F0086
Pos. 2 Alu gasket	1			
4 Alu gasket	1			
12 Gasket	1			
26 Gasket	1			
27 Gasket	1			
A1 O-ring	3			
A2 Gasket	3			
A3 Gasket	2			
Flange gaskets, figs. 2 and 3		027F2175	027F2175	027F2175
Pos. A3 Gasket	2			

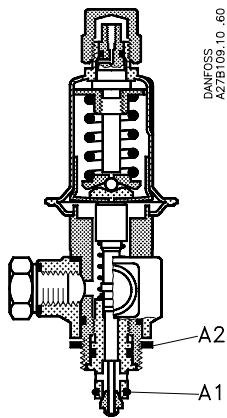


Fig.1
CVC, pressure controlled;
with signal connector

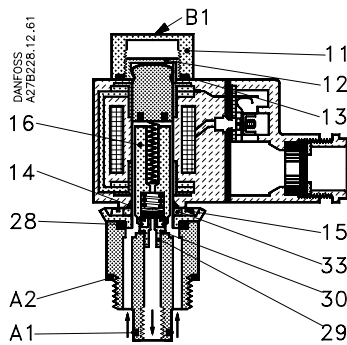


Fig.2
EVM(NC) with flange connection of
armature tube, previous design

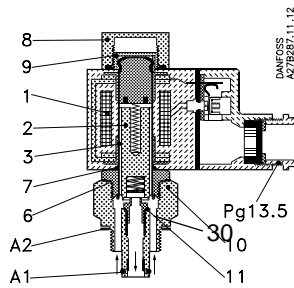
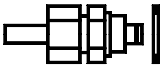







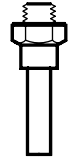

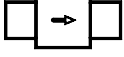



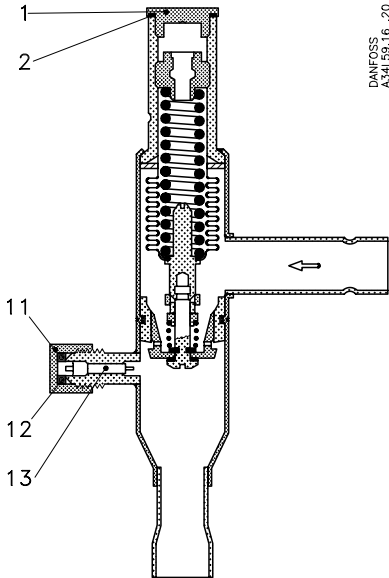
Fig.3
EVM(NC) with plug-in connection of
armature tube

Description	Qty	Code no.
CVC		
Seal kit, fig. 1		027F0666
Pos. A1 O-ring	1	
A2 Gasket	1	
EVM(NC), previous design		
Service kit, fig. 2		032F0201
Pos. 11 Nut	1	
12 Snap fastener	1	
13 O-ring	1	
14 O-ring	1	
15 Screw	4	
16 NC armature assembly, teflon	1	
28 Rubber gasket	1	
29 Orifice	1	
30 Alu gasket	1	
A1 O-ring	1	
A2 Gasket	1	
EVM(NC)		
Service kit, fig. 3		032F1116
Pos. 11 Nut	1	
12 Snap fastener	1	
13 O-ring	1	
14 O-ring	1	
15 Alu gasket	1	
16 Armature assembly, teflon	1	
29 Orifice	1	
30 Alu gasket	1	
A1 O-ring	1	
A2 Gasket	1	
EVM(NC)		
Seal kit, fig. 1 and 2		018Z0093
Pos. 11 Nut	1	
12 Snap fastener	1	
13 O-ring	1	
14 O-ring	1	
B1 Label	1	
EVM(NC)fig. 1 and 2		
Seal kit		032F0209
Pos. 13 O-ring	1	
14 O-ring	1	
28 Rubber gasket	1	
30 Alu gasket	1	
A1 O-ring	1	
A2 Gasket	1	
EVM(NC) fig. 1 and 2		
Seal kit		027F0666
Pos. A1 O-ring	1	
A2 Gasket	1	

Accessories
for PMC

	Description	Qty	Code no.
           	<p>External pilot connector Weld, PM 5 to 65, ID 12.7 mm / OD 18 mm Weld, PM 80 to 125, ID 12.7 mm / OD 18 mm 1/4 NPT, PM 5 to 65 1/4 NPT, PM 80 to 125 Nipple assembly Damping orifice, dia. 1.0 mm O-ring Gasket</p>	<p>1 1 1 1 1</p>	<p>027F1048 027F1049 027B2065 027B2066</p>
	<p>Seal kit for external pilot connector Alu gasket Gasket O-ring</p>	<p>4 4 4</p>	<p>027F1004</p>
	<p>Blanking plug Plug Stop plug O-ring Gasket</p>	<p>1 1 1 1</p>	<p>027F1046</p>
	<p>Pressure gauge connector, solder/weld Nipple assembly Alu gasket</p>	<p>1 1</p>	<p>027B2035</p>
	<p>Seal kit for solder/weld pressure gauge connector Alu gasket Alu gasket</p>	<p>10 10</p>	<p>027B2029</p>
	<p>Pressure gauge connector cutting ring connector (Ermeto) 6 mm 10 mm</p>	<p>1 1</p>	<p>027B2063 027B2064</p>
	<p>Pressure gauge connector, 1/4 NPT</p>	<p>1</p>	<p>027B2062</p>
	<p>Pressure gauge connector, flare (Must not be used in ammonia systems!) Nipple Schraeder valve Cap Alu gasket</p>	<p>1 1 1 1</p>	<p>027B2041</p>
	<p>Function indicator for PM/PMC 1 and 3, sizes 5 to 65 Function indicator assembly Protection cap Gasket</p>	<p>1 1 1</p>	<p>027F0085</p>
	<p>CVH pilot valve body weld ID 12.7 mm / OD 18 mm</p>	<p>1</p>	<p>027F1047</p>
	<p>CVH pilot valve body G 1/4 (ISO 228-1)</p>	<p>1</p>	<p>027F1160</p>
	<p>CVH pilot valve body G 1/4 (USAS B2.1-1960)</p>	<p>1</p>	<p>027F1159</p>
	<p>„Strong” spring for PM 1 and 3, sizes 5 to 25, approx. 45% more closing force</p>	<p>1</p>	<p>027F0662</p>

KVD



Contents	Qty	Code no.
KVD 12 and 15		
Seal cap, fig. 2		034L0201
pos. 1 Cap	1	
2 Rubber gasket	1	
KVD 12 and 15		
Schrader valve, fig. 2		034L0006
pos. 13 Valve assembly	1	
Seal cap for Schrader valve, fig. 2		034L0203
pos. 11 Cap	1	
12 Gasket	1	

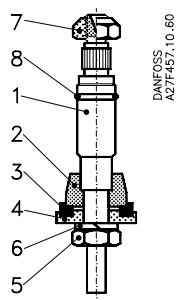


Fig. 1. Push rod assembly for PM 1 and 3, sizes 5 to 25

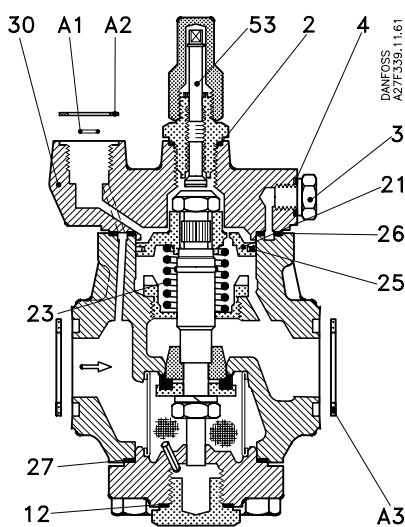


Fig. 2. PM 1, sizes 5 to 25

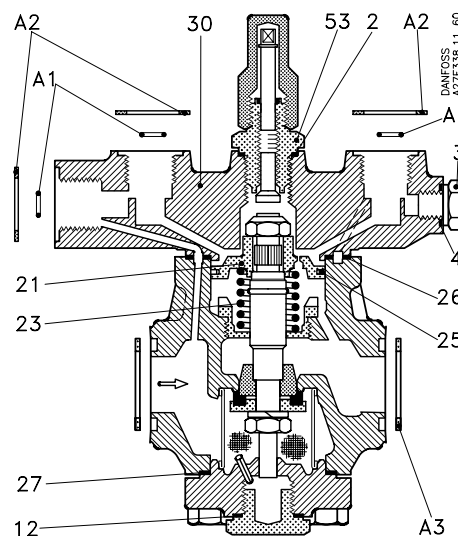


Fig. 3. PM 3, sizes 5 to 25

Description	Qty	Size 5	Size 10	Size 15	Size 20	Size 25
		Code no.	Code no.	Code no.	Code no.	Code no.
Push rod assembly, fig 1		027F0160	027F0161	027F0162	027F0260	027F0261
Pos. 1 Push rod	1					
2 Cone	1					
3 Valve plate	1					
4 Clamping plate	1					
5 Nut	1					
6 Spring washer	1					
7 Nut	1					
8 Locking ring	1					
Valve plate, fig. 1		027F0683	027F0683	027F0683	027F0683	027F0683
Pos. 3 Valve plate	1					
Piston ring, figs. 2 and 3		027F0650	027F0650	027F0650	027F0650	027F0650
Pos. 25 Piston ring	1					
Piston assembly, figs. 2 and 3		027F0395	027F0395	027F0395	027F0395	027F0395
Pos. 21 Piston	1					
25 Piston ring	1					
Servo spring, figs. 2 and 3		027F0901	027F0901	027F0901	027F0901	027F0901
Pos. 23 Spring	1					
Strainer, figs. 2 and 3		027F0657	027F0657	027F0657	027F0657	027F0657
Pos. 24 Strainer	1					
Top cover, PM 1, fig. 2		027F0640	027F0640	027F0640	027F0640	027F0640
Pos. 2 Alu gasket	1					
3 Plug	1					
4 Alu gasket	1					
26 Gasket	1					
30 Top cover	1					
53 Manual operation	1					

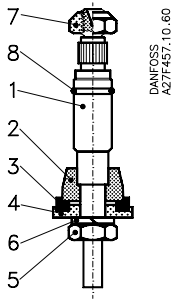


Fig. 1. Push rod assembly for PM 1 and 3, sizes 5 to 25

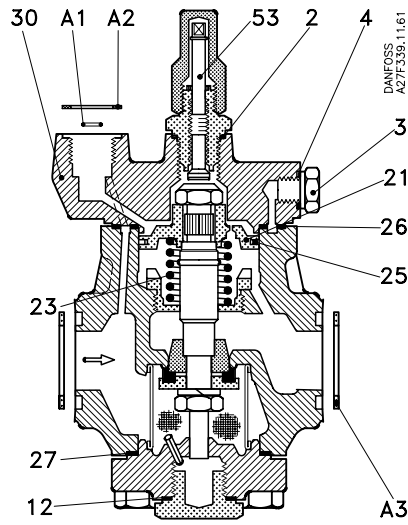


Fig. 2. PM 1, sizes 5 to 25

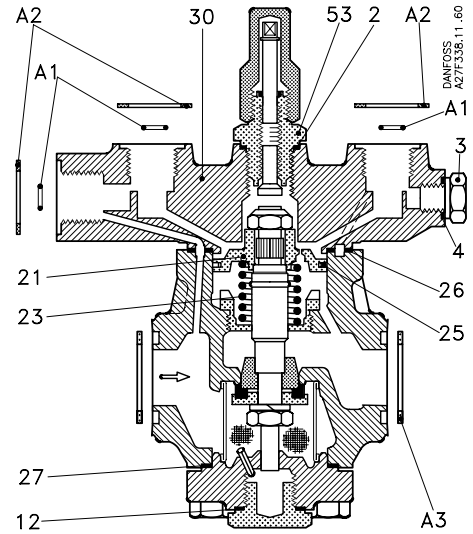


Fig. 3. PM 3, sizes 5 to 25

Description	Qty	Size 5	Size 10	Size 15	Size 20	Size 25
		Code no.	Code no.	Code no.	Code no.	Code no.
Top cover, PM 3, fig. 3		027F0645	027F0645	027F0645	027F0645	027F0645
Pos. 2 Alu gasket	1					
3 Plug	1					
4 Alu gasket	1					
26 Gasket	1					
30 Top cover	1					
53 Manual operation	1					
Manual operation, figs. 2 and 3		027F2130	027F2130	027F2130	027F2130	027F2130
Pos. 2 Alu gasket	1					
53 Manual operation	1					
Seal kit, figs. 2 and 3		027F2170	027F2170	027F2170	027F2170	027F2170
Pos. 26 Gasket	1					
27 Gasket	1					
Seal kit, figs. 2 and 3		027F0086	027F0086	027F0086	027F0086	027F0086
Pos. 2 Alu gasket	1					
4 Alu gasket	1					
12 Gasket	1					
26 Gasket	1					
27 Gasket	1					
A1 O-ring	3					
A2 Gasket	3					
A3 Gasket	2					
Flange gaskets, figs. 2 and 3		027F2175	027F2175	027F2175	027F2175	027F2175
Pos. A3 Gasket	2					

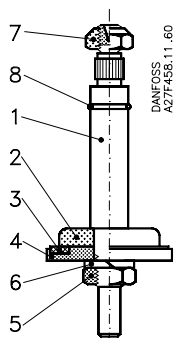


Fig. 1. Push rod assembly for PM 1 and 3, sizes 32 to 65

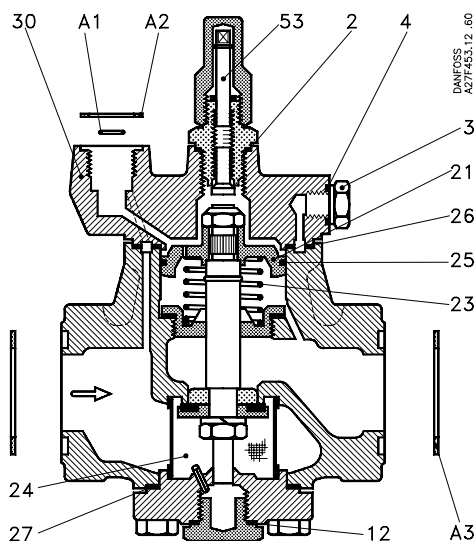


Fig. 2. PM 1, sizes 32 to 65

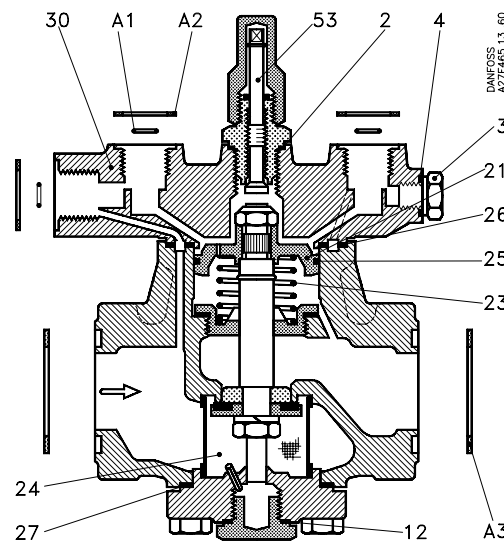


Fig. 3. PM 3, sizes 32 to 65

Description	Qty	Size 32	Size 40	Size 50	Size 65
		Code no.	Code no.	Code no.	Code no.
Push rod assembly, fig. 1		027F0262	027F0263	027F0264	027F0265
Pos. 1 Push rod	1				
2 Cone	1				
3 Valve plate	1				
4 Clamping plate	1				
5 Nut	1				
6 Spring washer	1				
7 Nut	1				
8 Locking ring	1				
Valve plate, fig. 1		027F0684	027F0685	027F0686	027F0687
Pos. 3 Valve plate	1				
Piston ring, figs. 2 and 3		027F0651	027F0652	027F0653	027F0654
Pos. 25 Piston ring	1				
Piston assembly, figs. 2 and 3		027F0396	027F0397	027F0398	027F0399
Pos. 21 Piston	1				
25 Piston ring	1				
Servo spring, figs. 2 and 3		027F0902	027F0903	027F0904	027F0905
Pos. 23 Spring	1				
Strainer, figs. 2 and 3		027F0658	027F0659	027F0660	027F0661
Pos. 24 Strainer	1				
Top cover, PM 1, fig. 2,		027F0641	027F0642	027F0643	027F0644
Pos. 2 Alu gasket	1				
3 Plug	1				
4 Alu gasket	1				
26 Gasket	1				
30 Top cover	1				
53 Manual operation	1				

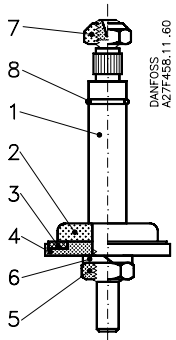


Fig. 1. Push rod assembly for PM 1 and 3, sizes 32 to 65

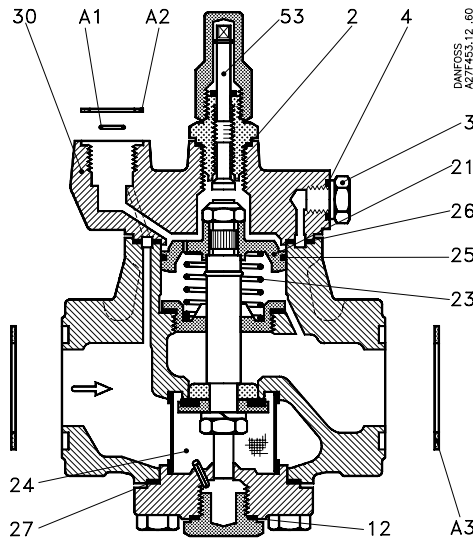


Fig. 2. PM 1, sizes 32 to 65

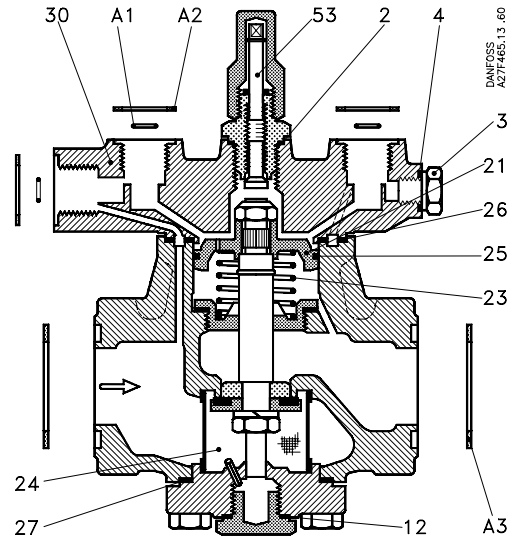


Fig. 3. PM 3, sizes 32 to 65

Description	Qty	Size 32	Size 40	Size 50	Size 65
		Code no.	Code no.	Code no.	Code no.
Top cover, PM 3, fig. 3		027F0646	027F0647	027F0648	027F0656
Pos. 2 Alu gasket	1				
3 Plug	1				
4 Alu gasket	1				
26 Gasket	1				
30 Top cover	1				
53 Manual operation	1				
Manual operation, figs. 2 and 3		027F2130	027F2130	027F2130	027F2130
Pos. 2 Alu gasket	1				
53 Manual operation	1				
Seal kit, figs. 2 and 3		027F2171	027F2172	027F2173	027F2174
Pos. 26 Gasket	1				
27 Gasket	1				
Seal kit, figs. 2 and 3		027F0087	027F0088	027F0089	027F0090
Pos. 2 Alu gasket	1				
4 Alu gasket	1				
12 Gasket	1				
26 Gasket	1				
27 Gasket	1				
A1 O-ring	3				
A2 Gasket	3				
A3 Gasket	2				
Flange gaskets, figs. 2 and 3		027F2176	027F2177	027F2178	027F2179
Pos. A3 Gasket	2				

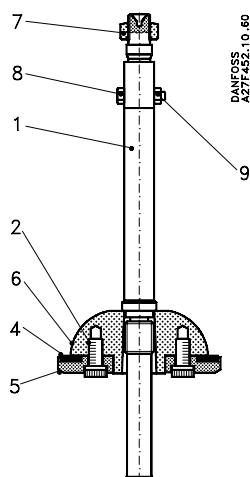


Fig. 4. Push rod assembly for PM 3, sizes 80 to 125

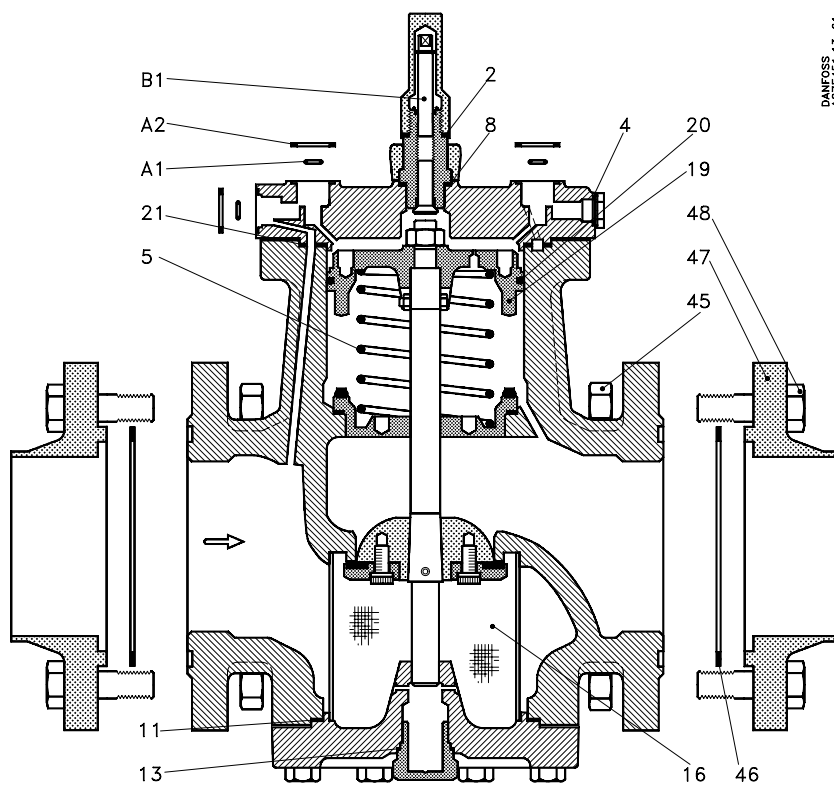


Fig. 5. PM 3, sizes 80 to 125

Description	Qty	Size 80	Size 100	Size 125
		Code no.	Code no.	Code no.
Push rod assembly, fig. 4		027F1204	027F1205	027F1206
Pos. 1 Push rod	1			
2 Screw	6			
4 Valve plate	1			
5 Clamping plate	1			
6 Cone	1			
7 Nut	1			
8 Screw	1			
9 Nut	1			
Valve plate, fig. 4		027F0692	027F0693	027F0694
Pos. 4 Valve plate	1			
Manual operation, fig. 5		027F2134	027F2134	027F2134
Pos. 8 Gasket	1			
B1 Manual operation	1			
Piston ring, fig. 5		027F1246	027F1247	027F1248
Pos. 20 Piston ring	1			
Piston assembly, fig. 5		027F2150	027F2151	027F2152
Pos. 19 Piston	1			
20 Piston ring	1			
Servo spring, fig. 5		027F2140	027F2141	027F2142
Pos. 5 Spring	1			
Strainer, fig. 5		027F2135	027F2136	027F2137
Pos. 16 Strainer	1			
Seal kit, fig. 5		027F2180	027F2181	027F2182
Pos. 11 Gasket	1			
21 Gasket	1			

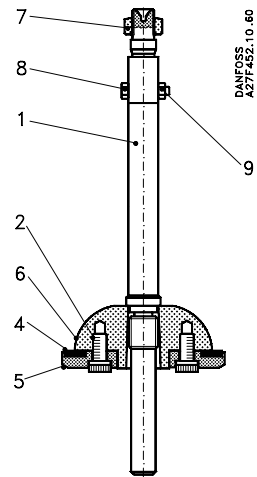


Fig. 4. Push rod assembly for PM 3, sizes 80 to 125

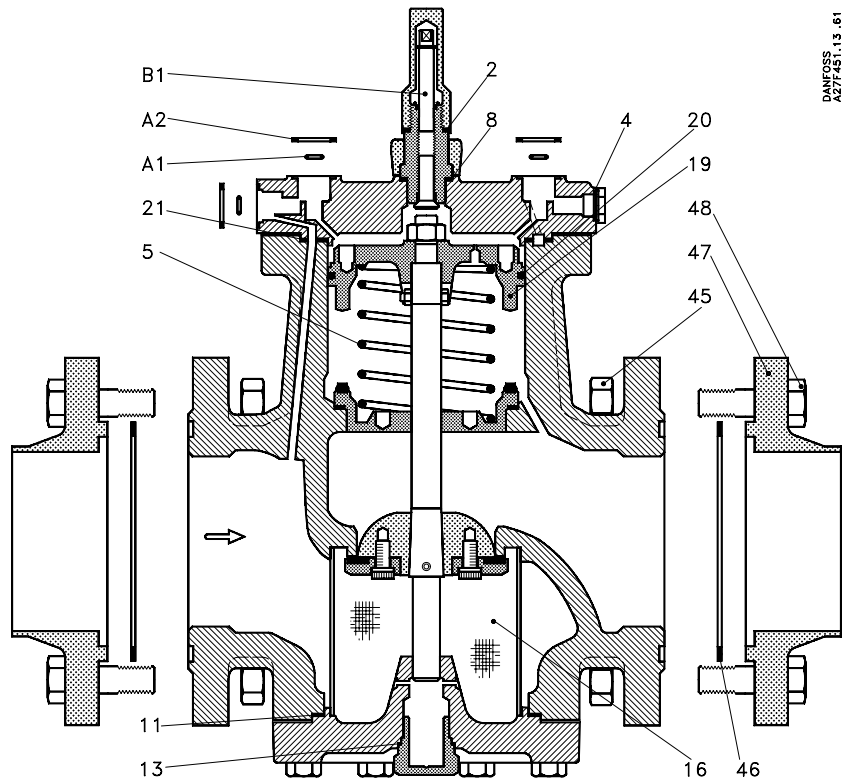


Fig. 5. PM 3, sizes 80 to 125

Description	Qty	Size 80	Size 100	Size 125
		Code no.	Code no.	Code no.
Seal kit, fig. 5		027F1230	027F1231	027F1232
Pos. 2 Alu gasket	1			
4 Alu gasket	1			
8 Gasket	1			
11 Gasket	1			
13 Alu gasket	1			
21 Gasket	1			
46 Gasket	2			
A1 O-ring	3			
A2 Gasket	3			
Flange set, fig. 5		027F2123	027F2124	027F2125
Pos. 47 Flange	2			
Flange gaskets, fig. 5		027F2120	027F2121	027F2122
Pos. 46 Gasket	2			
Flange bolts and nuts, fig. 5		027F2126	027F2127	027F2128
Pos. 45 Nut	16			
48 Bolt	16			

	Description	Qty	Code no.
	External pilot connector		
	Weld, PM 5 to 65, ID 12.7 mm / OD 18 mm		027F1048
	Weld, PM 80 to 125, ID 12.7 mm / OD 18 mm		027F1049
	1/4 NPT, PM 5 to 65		027B2065
	1/4 NPT, PM 80 to 125		027B2066
	Nipple assembly	1	
	Damping orifice, dia. 1.0 mm	1	
	O-ring	1	
	Gasket	1	
	Seal kit for external pilot connector		027F1004
	Alu gasket	4	
	Gasket	4	
	O-ring	4	
	Blanking plug		027F1046
	Plug	1	
	Stop plug	1	
	O-ring	1	
	Gasket	1	
	Pressure gauge connector, solder/weld		027B2035
	Nipple assembly	1	
	Alu gasket	1	
	Seal kit		027B2029
	for solder/weld pressure gauge connector		
	Alu gasket	10	
	Alu gasket	10	
	Pressure gauge connector		
	cutting ring connector		
	6 mm	1	027B2063
	10 mm	1	027B2064
	Pressure gauge connector, 1/4 NPT	1	027B2062
	Pressure gauge connector, flare		027B2041
	(Must not be used in ammonia systems!)		
	Nipple	1	
	Schrader valve	1	
	Cap	1	
	Alu gasket	1	
	Function indicator		027F0085
	for PM/PMC 1 and 3, sizes 5 to 65		
	Function indicator assembly	1	
	Protection cap	1	
	Gasket	1	
	CVH pilot valve body		
	weld ID 12.7 mm / OD 18 mm	1	027F1047
	CVH pilot valve body		
	G 1/4 (ISO 228-1)	1	027F1160
	CVH pilot valve body		
	G 1/4 (USAS B2.1-1960)	1	027F1159
	„Strong” spring		027F0662
	for PM 1 and 3, sizes 5 to 25, approx. 45% more closing force	1	

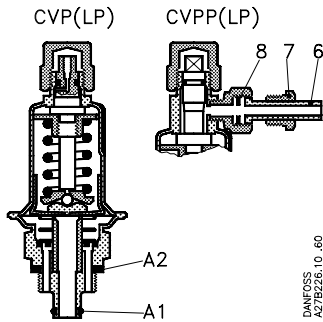


Fig. 1

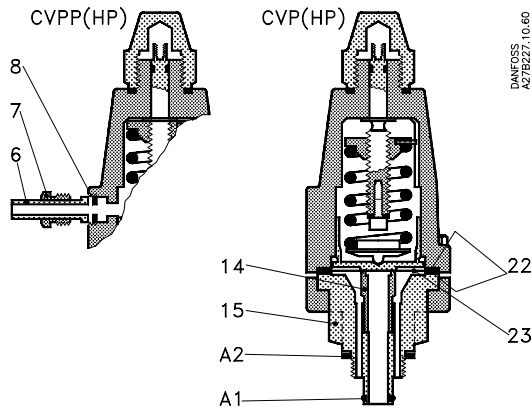


Fig. 2

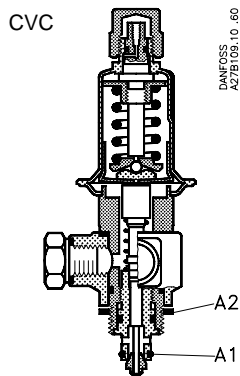


Fig. 3

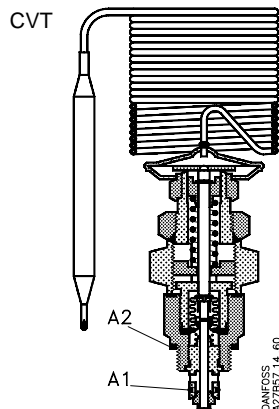


Fig. 4

Description	Qty	Code no.
CVP(LP) (low pressure) pressure controlled Seal kit, fig. 1 Pos. A1 O-ring A2 Gasket	1 1	027F0666
CVPP(LP) (low pressure) differential pressure controlled Seal kit, fig. 1 Pos. A1 O-ring A2 Gasket	1 1	027F0666
Connection kit, fig. 1 Pos. 6 Nipple 7 Connector 8 Alu gasket	1 1 1	027B0120
CVP(HP) (high pressure) pressure controlled Seal kit, fig. 2 Pos. A1 O-ring A2 Gasket	1 1	027F0666
Repair kit, fig. 2 Pos. 14 Orifice 15 Body 22 Gasket 23 Diaphragm	1 1 2 2	027B0164
CVPP(HP) (high pressure) differential pressure controlled Seal kit, fig. 2 Pos. A1 O-ring A2 Gasket	1 1	027F0666
Connection kit, fig. 2 Pos. 6 Nipple 7 Connector 8 Alu gasket	1 1 1	027B0120
Repair kit, fig. 2 Pos. 14 Orifice 15 Body 22 Gasket 23 Diaphragm	1 1 2 2	027B0164
CVC pressure controlled; with signal connector Seal kit, fig. 3 Pos. A1 O-ring A2 Gasket	1 1	027F0666
Accessory Handwheel for adjustment	1	027B0039
CVT /CVTO temperature controlled Seal kit, fig. 4 Pos. A1 O-ring A2 Gasket	1 1	027F0666

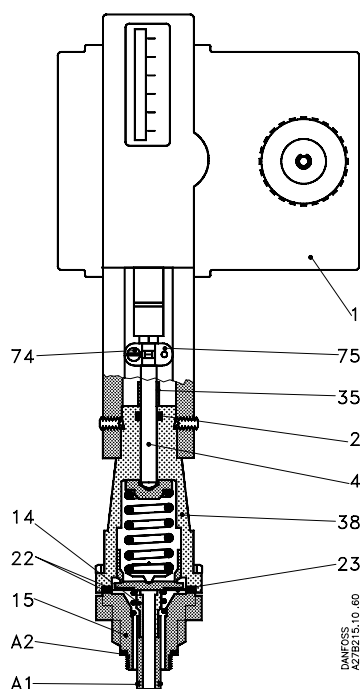


Fig. 1. CVPM

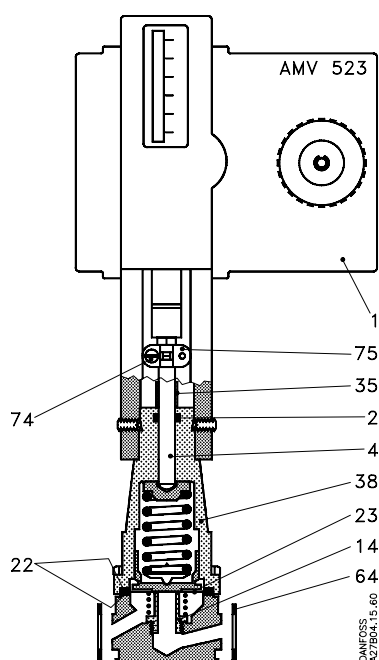


Fig. 2. CVMM

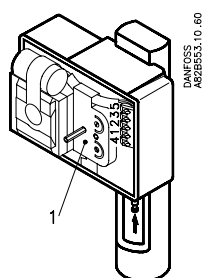


Fig. 3. Motor with AMEK module

Description	Qty	Code no.
CVPM motor pilot valve		
Seal kit, fig. 1		027F0666
Pos. A1 O-ring	1	
A2 Gasket	1	
Repair kit, fig. 1		027B2059
Pos. 2 O-ring	1	
4 Spindle	1	
35 Safety bush	1	
74 Screw	2	
75 Coupling	2	
Repair kit, fig. 1		027B0164
Pos. 14 Orifice	1	
15 Body	1	
22 Gasket	2	
23 Diaphragm	2	
Pilot valve, fig. 1		027B1170
Pos. 38 CVPM pilot valve assy without motor	1	
230 V motor, fig. 1		082B3517
Pos. 1 AMV 523 motor	1	
24 V motor, fig. 1,		082B3515
Pos. 1 AMV 523 motor	1	
AMEK module, fig. 3		082B3301
Pos. 1 AMEK module	1	
CVMM motor pilot valve		
Repair kit, fig. 2		027B2059
Pos. 2 O-ring	1	
4 Spindle	1	
35 Safety bush	1	
74 Screw	2	
75 Coupling	2	
Repair kit, fig. 2		027B0162
Pos. 14 Orifice	1	
22 Gasket	2	
23 Diaphragm	2	
Pilot valve, fig. 2		027B1037
Pos. 38 CVMM pilot valve assy without motor	1	
230 V motor, fig. 2		082B3517
Pos. 1 AMV 523 motor	1	
24 V motor, fig. 2,		082B3515
Pos. 1 AMV 523 motor	1	
Flange gaskets, fig. 2		020-2133
Pos. 64 Gasket	2	
AMEK module, fig. 3		082B3301
Pos. 1 AMEK module	1	

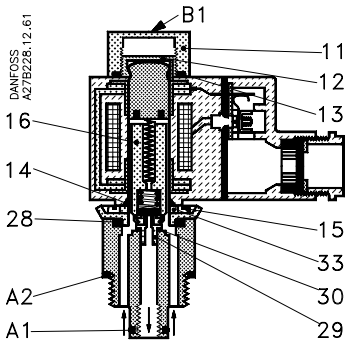


Fig.1
EVM(NC) with flange connection of armature tube, previous design

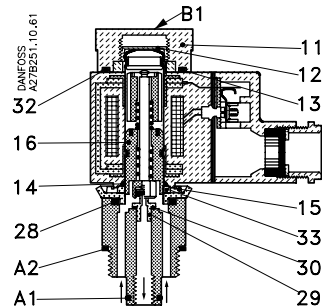


Fig.2
EVM(NO) with flange connection of armature tube, previous design

Description	Qty	Code no.
EVM(NC) fig. 1		
Service kit		032F0201
Pos. 11 Nut	1	
12 Snap fastener	1	
13 O-ring	1	
14 O-ring	1	
15 Screw	4	
16 NC armature assembly, teflon	1	
28 Rubber gasket	1	
29 Orifice	1	
30 Alu gasket	1	
A1 O-ring	1	
A2 Gasket	1	
EVM(NO) fig. 2		
Service kit		032F0199
Pos. 11 Nut	1	
12 Snap fastener	1	
13 O-ring	1	
14 O-ring	1	
15 Screw	4	
16 NO armature assy, teflon	1	
28 Rubber gasket	1	
29 Orifice	1	
30 Alu gasket	1	
32 Spacer	1	
33 Spacer ring	1	
A1 O-ring	1	
A2 Gasket	1	
EVM(NC) fig. 1		
Seal kit		018Z0093
Pos. 11 Nut	1	
12 Snap fastener	1	
13 O-ring	1	
14 O-ring	1	
B1 Label	1	
EVM(NC/NO) fig. 1 and 2		
Seal kit		032F0209
Pos. 13 O-ring	1	
14 O-ring	1	
28 Rubber gasket	1	
30 Alu gasket	1	
A1 O-ring	1	
A2 Gasket	1	
EVM(NC/NO) fig. 1 and 2		
Seal kit		027F0666
Pos. A1 O-ring	1	
A2 Gasket	1	

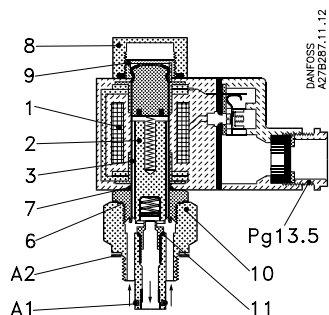


Fig.1
EVM(NC) with plug-in connection of armature tube

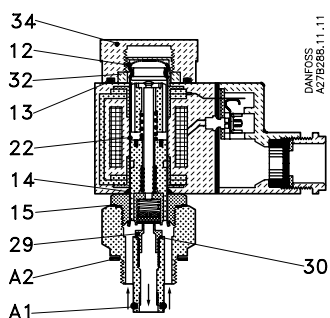


Fig.2
EVM(NO) with plug-in connection of armature tube

Description	Qty	Code no.
EVM(NC) fig. 1		
Service kit		032F1116
Pos. 11 Nut	1	
12 Snap fastener	1	
13 O-ring	1	
14 O-ring	1	
15 Alu gasket	1	
16 Armature assembly, teflon	1	
29 Orifice	1	
30 Alu gasket	1	
A1 O-ring	1	
A2 Gasket	1	
EVM(NO) fig. 2		
Service kit		032F1117
Pos.12 Snap fastener	1	
13 O-ring	1	
14 O-ring	1	
15 Alu gasket	1	
22 NO armature assembly, teflon	1	
29 Orifice	1	
30 Alu gasket	1	
32 Spacer	1	
34 Nut	1	
A1 O-ring	1	
A2 Gasket	1	
EVM(NC/NO) fig. 1 and 2		
Seal kit		032F0209
Pos. 13 O-ring	1	
14 O-ring	1	
30 Alu gasket	1	
A1 O-ring	1	
A2 Gasket	1	
EVM(NC/NO) fig. 1 and 2		
Seal kit		027F0666
Pos. A1 O-ring	1	
A2 Gasket	1	
EVM(NC) fig. 1		
Seal kit		018Z0093
Pos. 11 Nut	1	
12 Snap fastener	1	
13 O-ring	1	
14 O-ring	1	
B1 Label	1	
EVM(NO) fig. 3		
Seal kit		018Z0091
Pos. 12 Snap fastener	1	
13 O-ring	1	
14 O-ring	1	
34 Nut	1	

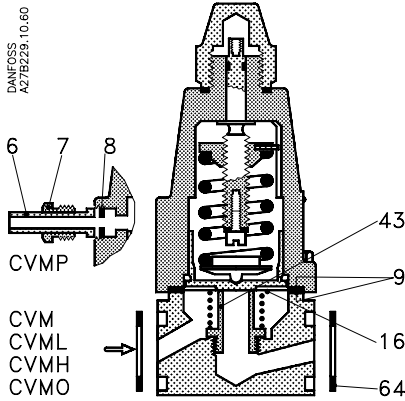


Fig. 1

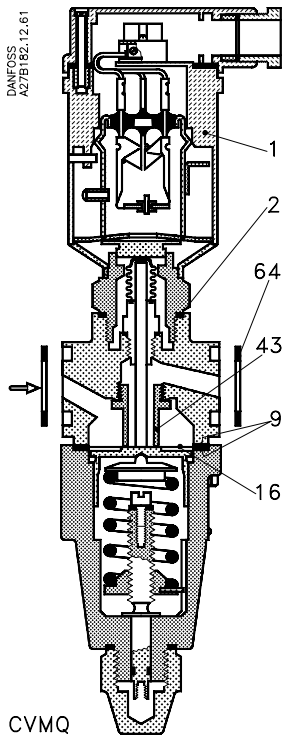


Fig. 2

Description	Qty	Code no.
CVM, CVML, CVMH and CVMO pressure controlled CVMP pressure controlled; with external connection		
Repair kit, fig. 1		027B0162
Pos. 9 Gasket	2	
16 Diaphragm	2	
43 Orifice	1	
Flange gaskets, fig. 1		020-2133
Pos. 64 Gasket	2	
Connection kit, fig. 1		027B0120
Pos. 6 Nipple	1	
7 Connector	1	
8 Alu gasket	1	
Flange gaskets, fig. 1		020-2133
Pos. 64 Gasket	2	
CVMQ electronically controlled Actuator, fig. 2		027B0121
Pos. 1 Actuator assembly	1	
2 Alu gasket	1	
Repair kit, fig. 2		027B0162
Pos. 9 Gasket	2	
16 Diaphragm	2	
43 Orifice	1	
Flange gaskets, fig. 2		020-2133
Pos. 64 Gasket	2	
Accessory Handwheel for adjustment	1	027B0039

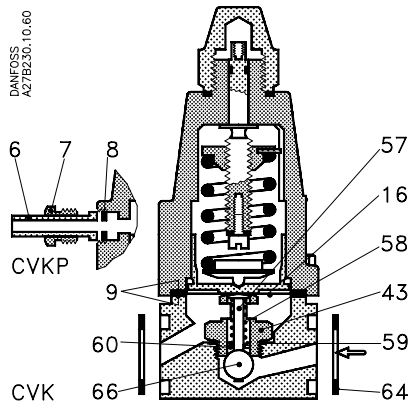


Fig. 1

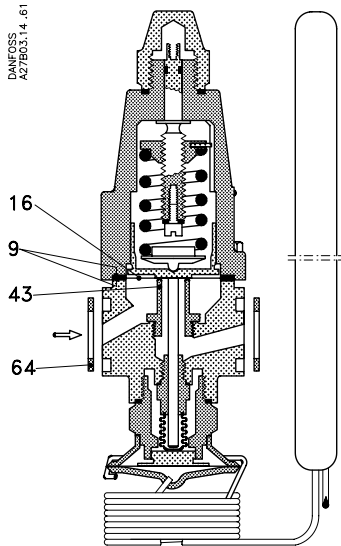


Fig. 2

Description	Qty	Code no.
CVK pressure controlled Orifice insert, fig. 1		027B0100
Pos. 9 Gasket	2	
16 Diaphragm	1	
43 Orifice	1	
57 Pin	1	
58 Spring	1	
59 O-ring	1	
60 Guide	1	
66 Ball	1	
Flange gaskets, fig. 1		020-2133
Pos. 64 Gasket	2	
CVKP pressure controlled; with external connection Orifice insert, fig. 1		027B0100
Pos. 9 Gasket	2	
16 Diaphragm	1	
43 Orifice	1	
57 Pin	1	
58 Spring	1	
59 O-ring	1	
60 Guide	1	
66 Ball	1	
Connection kit, fig. 1		027B0120
Pos. 6 Nipple	1	
7 Connector	1	
8 Alu gasket	1	
Flange gaskets, fig. 1		020-2133
Pos. 64 Gasket	2	
CVMT temperature controlled Repair kit, fig. 2		027B0162
Pos. 9 Gasket	2	
16 Diaphragm	1	
43 Orifice	1	
Flange gaskets, fig. 2		020-2133
Pos. 64 Gasket	2	
Accessory Handwheel for adjustment	1	027B0039

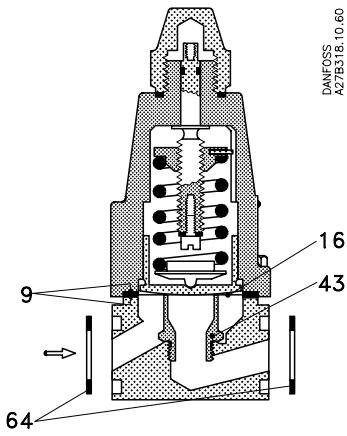


Fig. 1

Description	Qty	Code no.
Repair kit, fig. 1		027B0162
Pos. 9 Gasket	2	
16 Diaphragm	2	
43 Orifice	1	
Flange gaskets, fig. 1		020-2133
Pos. 64 Gasket	2	
Accessory		
Handwheel for adjustment	1	027B0039

Spare parts
Flanges, Gaskets, Bolts and Nuts
General

Danfoss flange sets inclusive of gaskets, bolts and nuts, are specially made for the Danfoss product range and must only be used for the purpose described.

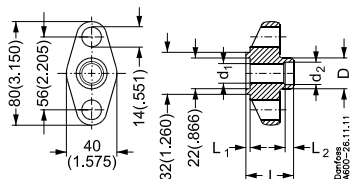
Flanges for Danfoss automatic controls for refrigeration plant are made of steel or brass.

Tongue or groove single flanges version 1

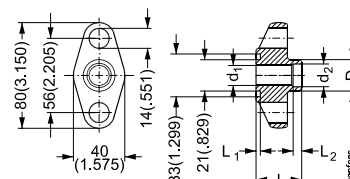
Tongue flanges are used for **TE 12, TEA 20, TEAT 20, TEVA 20, EVR 15, EVRA 3, EVRA 10, EVRA 15, NRVA 15, NRVA 20, CVM, CVM(M), CVML, CVMH, CVMO, CVMP, CVMT, CVK, CVKP, CVMQ**

Each code no. includes one flange and one flange gasket.

Separate flange gaskets, ID 22 x OD 32 x 1.0 mm (ID 0.866 x OD 1.260 x 0.039 in.): **Code no. 020-2133** (40 pcs.) must be ordered separately



Tongue flange



Groove flange

Butt welding DIN (2448)

Tongue flanges:

Size mm	Size in.	D mm	D in.	d ₁ mm	d ₁ in.	d ₂ mm	d ₂ in.	L mm	L in.	L ₁ mm	L ₁ in.	L ₂ mm	L ₂ in.	Code no.
6	1/4	14	0.551	8	0.315	10	0.394	32.5	1.279	3	0.118	6	0.236	006-1118
10	3/8	18	0.709	10	0.394	14	0.551	32.5	1.279	3	0.118	6	0.236	006-1120
15	1/2	22	0.866	14	0.551	17	0.669	32.5	1.279	3	0.118	6	0.236	006-1122
20	3/4	27	1.063	19	0.748	22	0.866	32.5	1.279	3	0.118	6	0.236	006-1124

Groove flanges:

Size mm	Size in.	D mm	D in.	d ₁ mm	d ₁ in.	d ₂ mm	d ₂ in.	L mm	L in.	L ₁ mm	L ₁ in.	L ₂ mm	L ₂ in.	Code no.
6	1/4	14	0.551	8	0.315	10	0.394	32.5	1.279	2	0.079	6	0.236	006-1119
10	3/8	18	0.709	10	0.394	14	0.551	32.5	1.279	2	0.079	6	0.236	006-1121
15	1/2	22	0.866	14	0.551	17	0.669	32.5	1.279	2	0.079	6	0.236	006-1123
20	3/4	27	1.063	19	0.748	22	0.866	32.5	1.279	2	0.079	6	0.236	006-1125

Soldering DIN (2856)

Tongue flanges:

Size mm	D mm	D in.	d ₁ mm	d ₁ in.	d ₂ mm	d ₂ in.	L mm	L in.	L ₁ mm	L ₁ in.	L ₂ mm	L ₂ in.	Code no.
12	17	0.669	10	0.394	12	0.472	29.5	1.161	3	0.118	15	0.590	006-1181
16	21	0.827	13	0.512	16	0.630	29.5	1.161	3	0.118	15	0.590	006-1182
25	30	1.181	18	0.709	25	0.984	29.5	1.161	3	0.118	22	0.866	006-1183

Soldering ANSI B 16.22

Tongue flanges:

Size in.	D mm	D in.	d ₁ mm	d ₁ in.	d ₂ mm	d ₂ in.	L mm	L in.	L ₁ mm	L ₁ in.	L ₂ mm	L ₂ in.	Code no.
1/2	17	0.669	10	0.394	12.7	0.500	29.5	1.161	3	0.118	17.5	0.689	006-1160
5/8	21	0.827	13	0.512	15.9	0.626	29.5	1.161	3	0.118	20.5	0.807	006-1162
3/4	24	0.945	16	0.630	19.0	0.748	29.5	1.161	3	0.118	22	0.866	006-1164
7/8	27	1.063	19	0.748	22.2	0.874	29.5	1.161	3	0.118	22	0.866	006-1176
1	30	1.181	18	0.709	25.5	1.004	29.5	1.161	3	0.118	22	0.866	006-1166

Groove flanges:

Size in.	D mm	D in.	d ₁ mm	d ₁ in.	d ₂ mm	d ₂ in.	L mm	L in.	L ₁ mm	L ₁ in.	L ₂ mm	L ₂ in.	Code no.
1/2	17	0.669	10	0.394	12.7	0.500	26.5	1.043	3	0.118	17.5	0.689	006-1161
5/8	21	0.827	13	0.512	15.9	0.626	26.5	1.043	3	0.118	20.5	0.807	006-1163
3/4	24	0.945	16	0.630	19.0	0.748	26.5	1.043	3	0.118	20.5	0.807	006-1165
7/8	27	1.063	18	0.709	22.2	0.874	26.5	1.043	3	0.118	22	0.866	006-1177
1	30	1.181	18	0.709	25.5	1.004	26.5	1.043	3	0.118	20.5	0.807	006-1167

Spare parts

Flanges, Gaskets, Bolts and Nuts

Tongue/groove flange sets version 1.1

Used for
FA 15

Each code no. includes two flanges, two flange gaskets, two staybolts, and four nuts.

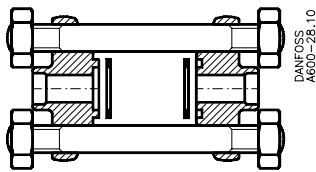
Flange dimensions:
See table for single flanges.

Separate flange gaskets,
ID 22 x OD 32 x 1.0 mm
(ID 0.866 x OD 1.260 x 0.039 in.):
Code no. 020-2133 (40 pcs.) must be ordered separately

Butt welding DIN (2448)

Tongue / groove flange sets::

Size mm	Size in.	Staybolt	Nut	Code no.
6	1/4	M 12 x 127 mm	M 12	006-1110
10	3/8	M 12 x 127 mm	M 12	006-1111
15	1/2	M 12 x 127 mm	M 12	006-1112
20	3/4	M 12 x 127 mm	M 12	006-1113



Soldering ANSI B 16.22

Tongue / groove flange sets::

Size mm	Size in.	Staybolt	Nut	Code no.
15	1/2	M 12 x 127 mm	M 12	006-1150
16	5/8	M 12 x 127 mm	M 12	006-1151
20	3/4	M 12 x 127 mm	M 12	006-1152
22	7/8	M 12 x 127 mm	M 12	006-1158
25	1	M 12 x 127 mm	M 12	006-1153

Tongue/tongue flange sets version 1.2

Used for
TE 12, TEA 20, TEAT 20, TEVA 20, EVR 15, EVRA 3, EVRA 10, EVRA 15, NRVA 15, NRVA 20, CVM, CVM(M), CVML, CVMH, CVMO, CVMP, CVMT, CVK, CVKP, CVMQ

Each code no. includes two flanges, two flange gaskets, two staybolts, and four nuts.

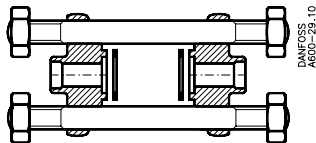
Separate flange gaskets,
ID 22 x OD 32 x 1.0 mm
(ID 0.866 x OD 1.260 x 0.039 in.):
Code no. 020-2133 (40 pcs.)

Flange dimensions:
See drawing for single flanges.

Butt welding DIN (2448)

Tongue flange sets::

Size mm	Staybolt	Nut	Code no.
15 x 15	M 12 x 135 mm	M 12	027B0181



Soldering

Tongue flange sets::

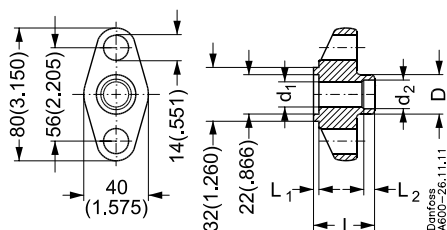
Size mm	Size in.	Staybolt	Nut	Code no.
	5/8 x 7/8	M 12 x 127 mm	M 12	006-1195
	7/8 x 1	M 12 x 127 mm	M 12	006-1196
	1/2 x 1/2	M 12 x 135 mm	M 12	027B0180
16 x 22		M 12 x 127 mm	M 12	006-1197
22 x 25		M 12 x 127 mm	M 12	006-1198
12 x 12		M 12 x 135 mm	M 12	027B0182

Spare parts
Flanges, Gaskets, Bolts and Nuts
Tongue/tongue flange sets version 1.3

Used for
TE 12, TEA 20, TEAT 20, TEVA 20,
EVR 15, EVRA 3, EVRA 10, EVRA 15,
NRVA 15, NRVA 20,
CVM, CVM(M), CVML, CVMH, CVMO,
CVMP, CVMT, CVK, CVKP, CVMQ

Each code no. includes two flanges.

Separate flange gaskets,
 ID 22 x OD 32 x 1.0 mm
 (ID 0.866 x OD 1.260 x 0.039 in.):
Code no. 020-2133 (40 pcs.) must be
 ordered separately


Butt welding DIN (2448)

Tongue flange sets:

Size mm	Size in.	D mm	D in.	d ₁ mm	d ₁ in.	d ₂ mm	d ₂ in.	L mm	L in.	L ₁ mm	L ₁ in.	L ₂ mm	L ₂ in.	Code no.
10	3/8	18	0.709	10	0.394	14	0.551	32.5	1.280	3	0.118	6	0.236	027N1112
15	1/2	22	0.866	14	0.551	17	0.669	32.5	1.280	3	0.118	6	0.236	027N1115
20	3/4	27	1.063	19	0.748	22	0.866	32.5	1.280	3	0.118	6	0.236	027N1120

Butt welding ANSI B 36.10

Tongue flange sets:

Size mm	Size in.	D mm	D in.	d ₁ mm	d ₁ in.	d ₂ mm	d ₂ in.	L mm	L in.	L ₁ mm	L ₁ in.	L ₂ mm	L ₂ in.	Code no.
10	3/8	17.1	0.673	10.7	0.421	10.7	0.421	32.5	1.280	3	0.118	6	0.236	027N2020
15	1/2	21.3	0.839	13.9	0.547	13.9	0.547	32.5	1.280	3	0.118	6	0.236	027N2021
20	3/4	26.9	1.059	18.9	0.744	18.9	0.744	32.5	1.280	3	0.118	6	0.236	027N2022

Socket welding ANSI (B 16.11)

Tongue flange sets:

Size mm	Size in.	D mm	D in.	d ₁ mm	d ₁ in.	d ₂ mm	d ₂ in.	L mm	L in.	L ₁ mm	L ₁ in.	L ₂ mm	L ₂ in.	Code no.
10	3/8	26	1.024	12.5	0.492	17.8	0.701	32.5	1.280	3	0.118	10	0.394	027N2010
15	1/2	31.6	1.244	15.8	0.622	22	0.866	32.5	1.280	3	0.118	10	0.394	027N2011

FPT inside thread, NPT (ANSI / ASME B 1.20.1)

Tongue flange sets:

Size mm	Size in.	D mm	D in.	d ₁ mm	d ₁ in.	d ₂ mm	d ₂ in.	L mm	L in.	L ₁ mm	L ₁ in.	L ₂ mm	L ₂ in.	Code no.
10	3/8	26	1.024	14.3	0.563	3/8"-18 NPT	3/8"-18 NPT	32.5	1.477	3	0.118	3	0.118	027G1005
15	1/2	31.6	1.244	17.8	0.701	1/2"-14 NPT	1/2"-14 NPT	32.5	1.280	3	0.118	3	0.118	027G1006

Soldering DIN (2856)

Tongue flange sets:

Size mm	D mm	D in.	d ₁ mm	d ₁ in.	d ₂ mm	d ₂ in.	L mm	L in.	L ₁ mm	L ₁ in.	L ₂ mm	L ₂ in.	Code no.
16	21	0.827	13	0.512	16	0.630	29.5	2.122	3	0.118	15	0.591	027L1116
22	27	1.063	19	0.748	22.1	0.869	29.5	1.161	3	0.118	22	0.866	027L1122

Soldering ANSI B 16.22

Tongue flange sets:

Size in.	D mm	D in.	d ₁ mm	d ₁ in.	d ₂ mm	d ₂ in.	L mm	L in.	L ₁ mm	L ₁ in.	L ₂ mm	L ₂ in.	Code no.
5/8	21	0.827	13	0.512	15.9	0.626	29.5	1.161	3	0.118	20.5	0.807	027L1117
7/8	27	1.063	19	0.748	22.2	0.874	29.5	1.161	3	0.118	22	0.866	027L1123

Spare parts

Flanges, Gaskets, Bolts and Nuts

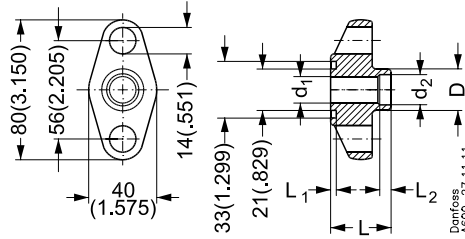
Tongue/groove flange sets version 1.4

Used for
FA 15

Each code no. includes two flanges.

Flange dimensions:
See drawing for single flanges.

Separate flange gaskets,
ID 21 x OD 33 x 1.0 mm
(ID 0.827 x OD 1.299 x 0.039 in.):
Code no. 020-2133 (40 pcs.) must be
ordered separately



Butt welding DIN (2448)

Tongue / groove flange set:

Size mm.	Size in.	D mm	D in.	d ₁ mm	d ₁ in.	d ₂ mm	d ₂ in.	L mm	L in.	L ₁ mm	L ₁ in.	L ₂ mm	L ₂ in.	Code no.
10	3/8	18	0.709	10	0.394	14	0.551	32.5	1.279	3	0.118	6	0.236	027N1512

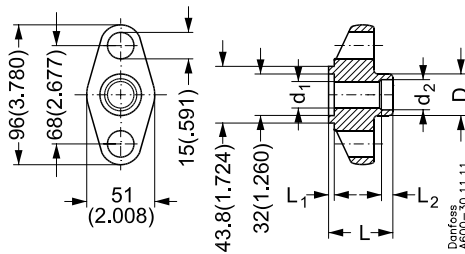
Tongue or groove single flanges version 2

Tongue flanges are used for
PHT 85, PHTQ 85

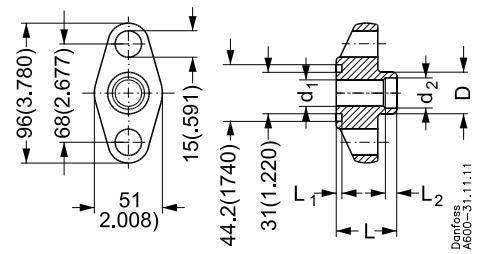
Each code no. includes one flange and
one flange gasket.

One tongue flange and one groove flange
are used for
FA 20 and EVSA 25

Separate flange gaskets,
ID 32 x OD 43.8 x 1.5 mm
(ID 1.260 x OD 1.724 x 0.059 in.):
Code no. 011L8101 (40 pcs.)



Tongue flange



Groove flange

Butt welding DIN (2448)

Tongue flanges:

Size mm	Size in	D mm	D in.	d ₁ mm	d ₁ in.	d ₂ mm	d ₂ in.	L mm	L in.	L ₁ mm	L ₁ in.	L ₂ mm	L ₂ in.	Code no.
15	1/2	22	0.866	14	0.551	17	0.669	35	1.378	3	0.118	6	0.236	006-1126
20	3/4	27	1.063	19	0.748	22	0.866	35	1.378	3	0.118	6	0.236	006-1128
25	1	34	1.338	26	1.024	28	1.102	37.5	1.476	3	0.118	6	0.236	006-1130

Butt welding DIN (2448)

Groove flanges:

Size mm	Size in	D mm	D in.	d ₁ mm	d ₁ in.	d ₂ mm	d ₂ in.	L mm	L in.	L ₁ mm	L ₁ in.	L ₂ mm	L ₂ in.	Code no.
15	1/2	22	0.866	14	0.551	17	0.669	34.5	1.358	3	0.118	6	0.236	006-1127
20	3/4	27	1.063	19	0.748	22	0.866	34.5	1.358	3	0.118	6	0.236	006-1129
25	1	34	1.338	26	1.024	28	1.102	34.5	1.358	3	0.118	6	0.236	006-1131

To be continued next page

Spare parts
Flanges, Gaskets, Bolts and Nuts
Tongue or groove single flanges version 2
(Continued)
Soldering DIN (2856)

Tongue / groove flange:

Size mm	D mm	D in.	d ₁ mm	d ₁ in.	d ₂ mm	d ₂ in.	L mm	L in.	L ₁ mm	L ₁ in.	L ₂ mm	L ₂ in.	Code no.
22	27	1.063	19	0.748	22	0.866	30	1.181	3	0.118	22	0.866	006-1179

Soldering ANSI B 16.22

Tongue flanges:

Size in.	D mm	D in.	d ₁ mm	d ₁ in.	d ₂ mm	d ₂ in.	L mm	L in.	L ₁ mm	L ₁ in.	L ₂ mm	L ₂ in.	Code no.
5/8	21	0.827	13	0.512	15.9	0.626	33	1.299	3	0.118	20.5	0.807	006-1168
3/4	24	0.945	16	0.630	19	0.748	33	1.299	3	0.118	25	0.984	006-1170
1	30	1.181	22	0.866	25.5	1.004	33	1.299	3	0.118	25	0.984	006-1172
1 1/8	34	1.338	26	1.024	28.6	1.126	33	1.299	3	0.118	26	1.024	006-1174
1 1/8	34	1.338	26	1.024	28.6	1.126	30	1.181	3	0.118	26	1.024	006-1175

Soldering ANSI B 16.22

Groove flanges:

Size in.	D mm	D in.	d ₁ mm	d ₁ in.	d ₂ mm	d ₂ in.	L mm	L in.	L ₁ mm	L ₁ in.	L ₂ mm	L ₂ in.	Code no.
5/8	21	0.827	13	0.512	15.9	0.626	30	1.181	3	0.118	20.5	0.807	006-1169
3/4	24	0.945	16	0.630	19	0.748	30	1.181	3	0.118	25	0.984	006-1171
1	30	1.181	22	0.866	25.5	1.004	30	1.181	3	0.118	25	0.984	006-1173
1 1/8	34	1.338	26	1.024	28.6	1.126	30	1.181	3	0.118	26	1.024	006-1175

Tongue/groove flange sets, staybolts and nuts version 2.1

 Used for
FA 20 code nos. 006-0065 / 66 / 67 / 71 / 72 / 73 / 74 and 036-0061

Each code no. includes two flanges, two flange gaskets, two staybolts, and four nuts.

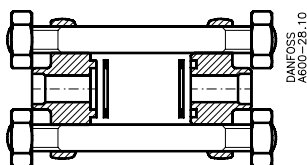
 Flange dimensions:
 See table for single flanges.

 Separate flange gaskets,
 ID 32 x OD 44 x 1.5 mm
 (ID 1.260 x OD 1.732 x 0.059 in.):
Code no. 011L8101 (40 pcs.)

Butt welding DIN (2448)

Tongue / groove flange sets:

Size mm	Size in.	Staybolt	Nut	Code no.
15	1/2	M 12 x 160 mm	M 12	006-1114
20	3/4	M 12 x 160 mm	M 12	006-1115
25	1	M 12 x 160 mm	M 12	006-1116


Soldering DIN (2856)

Tongue / groove flange sets:

Size mm	Staybolt	Nut	Code no.
22	M 12 x 160 mm	M 12	006-1180

Soldering ANSI B 16.22

Tongue / groove flange sets:

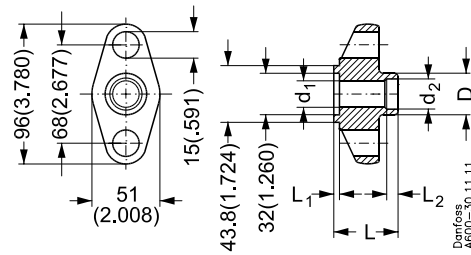
Size in.	Staybolt	Nut	Code no.
5/8	M 12 x 160 mm	M 12	006-1154
3/4	M 12 x 160 mm	M 12	006-1155
1	M 12 x 160 mm	M 12	006-1156
1 1/8	M 12 x 160 mm	M 12	006-1157

Tongue/tongue flange sets version 2.2

Used for **PHT 85 and PHTQ 85.**

Each code no. includes two flanges.

Separate flange gaskets,
ID 32 x OD 43.8 x 1.5 mm
(ID 1.260 x OD 1.724 x 0.059 in.):
Code no. 011L8101 (40 pcs.)



Tongue flange

Butt welding DIN (2448)

Tongue flange set:

Size mm	Size in.	D mm	D in.	d ₁ mm	d ₁ in.	d ₂ mm	d ₂ in.	L mm	L in.	L ₁ mm	L ₁ in.	L ₂ mm	L ₂ in.	Code no.
25	1	34	1.338	26	1.024	28	1.102	37.5	1.476	3	0.118	6	0.236	027N1025

Soldering DIN (2856)

Tongue flange sets:

Size mm	D mm	D in.	d ₁ mm	d ₁ in.	d ₂ mm	d ₂ in.	L mm	L in.	L ₁ mm	L ₁ in.	L ₂ mm	L ₂ in.	Code no.
28	34	1.338	26	1.024	28.1	1.106	33	1.299	3	0.118	22	0.866	027L1028
35	40	1.575	32	1.260	35	1.378	33	1.299	3	0.118	25	0.984	027L1035

Soldering ANSI B16.22

Tongue flange sets:

Size in.	D mm	D in.	d ₁ mm	d ₁ in.	d ₂ mm	d ₂ in.	L mm	L in.	L ₁ mm	L ₁ in.	L ₂ mm	L ₂ in.	Code no.
1 1/8	34	1.338	26	1.024	28.6	1.126	33	1.299	3	0.118	26	1.024	027L1029
1 3/8	40	1.575	32	1.260	35	1.378	33	1.299	3	0.118	25	0.984	027L1035

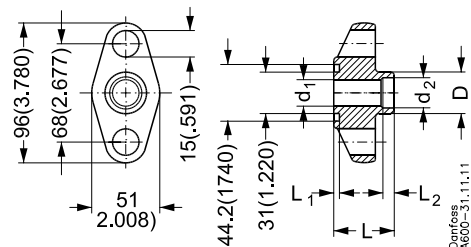
Tongue/groove flange sets version 2.3

Used for **FA 20, code nos. 006-0065 / 66 / 67 / 71 / 72 / 73 / 74 and 036-0061, EVSA 25**

Flange dimensions:
See drawing for single flanges.

Each code no. includes two flanges.

Separate flange gaskets,
ID 31 x OD 44.2 x 1.5 mm
(ID 1.220 x OD 1.740 x 0.059 in.):
Code no. 011L8101 (40 pcs.)



Groove flange

Soldering DIN (2856)

Groove flange set:

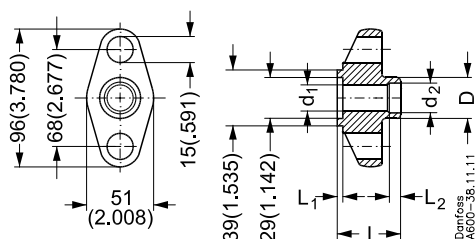
Size mm	Size in.	D mm	D in.	d ₁ mm	d ₁ in.	d ₂ mm	d ₂ in.	L mm	L in.	L ₁ mm	L ₁ in.	L ₂ mm	L ₂ in.	Code no.
22	7/8	27	1.063	19	0.748	22	0.866	30	1.181	3	0.118	22	0.866	027L1522

Spare parts
Flanges, Gaskets, Bolts and Nuts
Tongue/tongue flange sets version 3

Used for
FA 20, code nos. 006-0046 / 48 and 036-0062
TEA 85, TEAQ 85, TEAT 85, TEVA 85,
PM 5, 10, 15, 20, 25, PMC 5, 8, 12, 20,
PMFL 80, PMFH 80,
EVR 20, EVR 25, EVRA 20, EVRA 25

Each code no. includes two flanges.

Separate flange gaskets,
 ID 29 x OD 39 x 1.5 mm
 (ID 1.142 x OD 1.535 x 0.059 in.):


Butt welding DIN (2448)

Tongue flange sets:

Size mm	Size in.	D mm	D in.	d ₁ mm	d ₁ in.	d ₂ mm	d ₂ in.	L mm	L in.	L ₁ mm	L ₁ in.	L ₂ mm	L ₂ in.	Code no.
20	3/4	27	1.063	19	0.748	22	0.866	35	1.378	3	0.118	6	0.236	027N1220
25	1	34	1.339	26	1.024	28	1.102	37.5	1.476	3	0.118	6	0.236	027N1225
32	1 1/4	43	1.693	26	1.024	37	1.457	37.5	1.476	3	0.118	6	0.236	027N1230

Butt welding ANSI B 36.10

Tongue flange sets:

Size mm	Size in.	D mm	D in.	d ₁ mm	d ₁ in.	d ₂ mm	d ₂ in.	L mm	L in.	L ₁ mm	L ₁ in.	L ₂ mm	L ₂ in.	Code no.
20	3/4	26.9	1.059	18.9	0.744	18.9	0.744	33	1.299	3	0.118	6	0.236	027N3031
25	1	33.7	1.327	24.5	0.965	24.5	0.965	37.5	1.476	3	0.118	6	0.236	027N3032
32	1 1/4	42.4	1.669	26	1.024	32.6	1.283	37.5	1.476	3	0.118	6	0.236	027N3033

Socket welding ANSI (B 16.11)

Tongue flange sets:

Size mm	Size in.	D mm	D in.	d ₁ mm	d ₁ in.	d ₂ mm	d ₂ in.	L mm	L in.	L ₁ mm	L ₁ in.	L ₂ mm	L ₂ in.	Code no.
20	3/4	37.4	1.472	21	0.827	27.4	1.079	33	1.299	3	0.118	13	0.512	027N2001
25	1	45.6	1.795	26.6	1.047	34.1	1.343	33	1.299	3	0.118	13	0.512	027N2002

FPT inside thread, NPT (ANSI / ASME B 1.20.1)

Tongue flange sets:

Size mm	Size in.	D mm	D in.	d ₁ mm	d ₁ in.	d ₂ mm	d ₂ in.	L mm	L in.	L ₁ mm	L ₁ in.	L ₂ mm	L ₂ in.	Code no.
20	3/4	37.4	1.472	23	0.906	3/4"-14 NPT	3/4"-14 NPT	33	1.299	3	0.118	3	0.118	027G1001
25	1	45.6	1.795	29	1.142	1"-11.5 NPT	1"-11.5 NPT	33	1.299	3	0.118	3	0.118	027G1002

Soldering DIN (2856)

Tongue flange sets:

Size mm	D mm	D in.	d ₁ mm	d ₁ in.	d ₂ mm	d ₂ in.	L mm	L in.	L ₁ mm	L ₁ in.	L ₂ mm	L ₂ in.	Code no.
22	34	1.338	19	0.748	22	0.866	32	1.260	4	0.157	16.5	0.650	027L1222
28	34	1.338	26	1.024	28	1.102	34	1.338	4	0.157	26	1.024	027L1228

Soldering ANSI B 16.22

Tongue flange sets:

Size in.	D mm	D in.	d ₁ mm	d ₁ in.	d ₂ mm	d ₂ in.	L mm	L in.	L ₁ mm	L ₁ in.	L ₂ mm	L ₂ in.	Code no.
7/8	34	1.338	19	0.748	22.2	0.874	32	1.260	4	0.157	16.5	0.650	027L1223
1 1/8	34	1.338	26	1.024	28.6	1.126	34	1.338	4	0.157	26	1.024	027L1229

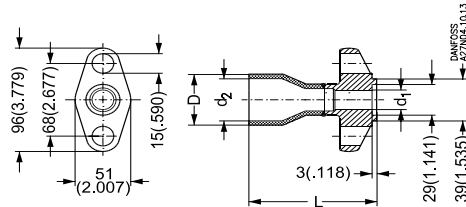
Spare parts

Flanges, Gaskets, Bolts and Nuts

Tongue/tongue flange sets version 3, oversize

Used for
TEA 85, TEAQ 85, TEAT 85, TEVA 85, PM 5, 10, 15, 20, 25, PMC 5, 8, 12, 20, PMFL 80, PMFH 80, EVR 20, EVR 25, EVRA 20, EVRA 25

Each code no. includes two flanges.
 Separate flange gaskets,
 ID 29 x OD 39 x 1.5 mm
 (ID 1.142 x OD 1.535 x 0.059 in.):
Code no. 027F2175 (40 pcs.)



Butt welding DIN (2448)

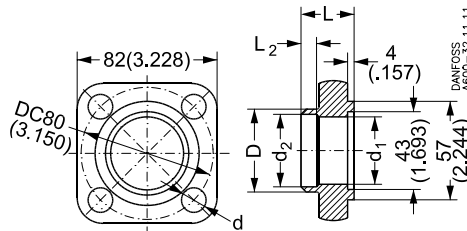
Tongue flange set:

Size mm	Size in.	D mm	D in.	d ₁ mm	d ₁ in.	d ₂ mm	d ₂ in.	L mm	L in.	Code no.
40	1 1/2	48.3	1.901	26	1.024	43.1	1.697	112	4.409	027N1231

Tongue/tongue flange sets version 4

Used for
NRVA 25, NRVA 32

Each code no. includes two flanges.
 Separate flange gaskets,
 ID 43 x OD 57 x 1.5 mm
 (ID 1.693 x OD 2.244 x 0.059 in.):
Code no. 027F2176 (40 pcs.)



Butt welding DIN (2448)

Tongue flange sets:

Size mm	Size in.	D mm	D in.	d ₁ mm	d ₁ in.	d ₂ mm	d ₂ in.	L mm	L in.	L ₂ mm	L ₂ in.	d mm	d in.	Code no.
25	1	34	1.338	26	1.024	28	1.102	32	1.260	6	0.236	15	0.590	027N1026
32	1 1/4	43	1.693	35	1.378	37.5	1.476	32	1.260	6	0.236	15	0.590	027N1033

Butt welding ANSI B 36.10

Tongue flange sets:

Size mm	Size in.	D mm	D in.	d ₁ mm	d ₁ in.	d ₂ mm	d ₂ in.	L mm	L in.	L ₂ mm	L ₂ in.	d mm	d in.	Code no.
25	1	33.7	1.327	24.5	0.965	24.5	0.965	32	1.260	10	0.394	15	0.591	027N2023
32	1 1/4	42.4	1.669	32.6	1.283	32.6	1.283	32	1.260	10	0.394	15	0.591	027N2024

Socket welding ANSI (B 16.11)

Tongue flange sets:

Size mm	Size in.	D mm	D in.	d ₁ mm	d ₁ in.	d ₂ mm	d ₂ in.	L mm	L in.	L ₂ mm	L ₂ in.	d mm	d in.	Code no.
20	3/4	37.4	1.472	21	0.827	27.4	???	32	1.260	10	0.394	15	0.591	027N2012
25	1	45.7	1.799	26.6	1.047	34.1	???	32	1.260	10	0.394	15	0.591	027N2013
32	1 1/4	55.3	2.177	35	1.378	42.9	???	39	1.535	15	0.591	15	0.591	027N2016

To be continued next page

Spare parts
Flanges, Gaskets, Bolts and Nuts
Tongue/tongue flange sets
version 4
(Continued)
FPT inside thread, NPT (ANSI / ASME B 1.20.1)

Tongue flange sets:

Size mm	Size in.	D mm	D in.	d ₁ mm	d ₁ in.	d ₂ mm	d ₂ in.	L mm	L in.	L ₁ mm	L ₁ in.	Code no.
20	3/4	37.4	1.472	23	0.905	3/4"-14 NPT	3/4"-14 NPT	32	1.260	10	0.394	027G1007
25	1	45.6	1.795	29	1.142	1"-11.5 NPT	1"-11.5 NPT	32	1.260	10	0.394	027G1008

Soldering DIN (2856)

Tongue flange sets:

Size mm	D mm	D in.	d ₁ mm	d ₁ in.	d ₂ mm	d ₂ in.	L mm	L in.	L ₂ mm	L ₂ in.	d mm	d in.	Code no.
35	47	1.850	32	1.260	35	1.378	36.5	1.437	25	0.984	14	0.551	027L2335
54	64	2.520	50	1.969	54	???	45.5	1.791	33	1.299	16	0.630	027L2554

Soldering ANSI B 16.22

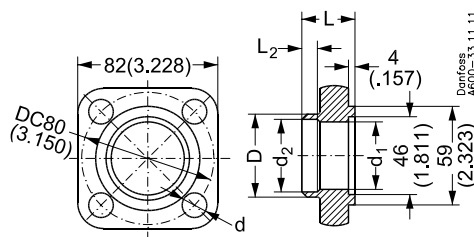
Tongue flange sets:

Size in.	D mm	D in.	d ₁ mm	d ₁ in.	d ₂ mm	d ₂ in.	L mm	L in.	L ₂ mm	L ₂ in.	d mm	d in.	Code no.
1 3/8	47	1.850	32	1.260	35	1.378	36.5	1.437	25	0.984	14	0.551	027L2335
2 1/8	64	2.520	50	1.969	54	???	45.5	1.791	33	1.299	16	0.630	027L2554

**Tongue/tongue flange sets
version 5**

 Used for
PHT 125, PHTQ 125, EVSA 35, FA 25, 38E

Each code no. includes two flanges

 Separate flange gaskets,
 ID 46 x OD 59 x 1.5 mm
 (ID 1.811 x OD 2.323 x 0.059 in.):
Code no. 026H0050 (40 pcs.)

Butt welding DIN (2448)

Tongue flange sets:

Size mm	Size in.	D mm	D in.	d ₁ mm	d ₁ in.	d ₂ mm	d ₂ in.	L mm	L in.	L ₂ mm	L ₂ in.	d mm	d in.	Code no.
25	1	34	1.338	26	1.024	28	1.102	32	1.260	6	0.260	15	0.591	006-1117
32	1 1/4	43	1.693	35	1.378	37.5	1.476	32	1.260	6	0.260	15	0.591	027N1032
40	1 1/2	49	1.929	40	1.575	43	1.693	32	1.260	7	0.275	15	0.591	027N1041

Soldering ANSI B 16.22

Tongue flange sets:

Size in.	D mm	D in.	d ₁ mm	d ₁ in.	d ₂ mm	d ₂ in.	L mm	L in.	L ₂ mm	L ₂ in.	d mm	d in.	Code no.
1 1/8	37	1.457	26	1.024	28.6	1.126	32	1.260	28	1.102	15	0.591	006-1159
1 5/8	52	2.047	38	1.496	41.3	1.626	32	1.260	10	0.394	15	0.591	027L1051

Spare parts

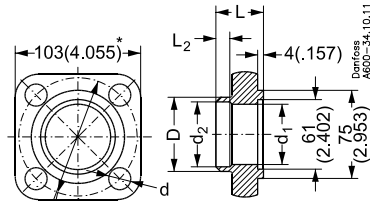
Flanges, Gaskets, Bolts and Nuts

Tongue/tongue flange sets version 6

Used for **NRVA 40 and NRVA 50**

Each code no. includes two flanges

Separate flange gaskets,
ID 61 x OD 75 x 1.5 mm:
(ID 2.402 x OD 2.953 x 0.059 in.):
Code no. 027F2178 (40 pcs.)



DC= 100(3.937) for weld flanges
DC= 108(4.252) for solder flanges
* = 105(4.134) for solder flanges

Butt welding DIN (2448)

Tongue flange sets:

Size mm	Size in.	D mm	D in.	d ₁ mm	d ₁ in.	d ₂ mm	d ₂ in.	L mm	L in.	L ₂ mm	L ₂ in.	d mm	d in.	Code no.
40	1 1/2	49	1.929	40	1.575	43	1.693	39	1.535	7	0.275	15	0.591	027N1042
50	2	60.5	2.382	52	2.047	54	2.126	39	1.535	8	0.315	15	0.591	027N1051

Butt welding ANSI B 36.10

Tongue flange sets:

Size mm	Size in.	D mm	D in.	d ₁ mm	d ₁ in.	d ₂ mm	d ₂ in.	L mm	L in.			d mm	d in.	Code no.
40	1 1/2	48.3	1.902	38.1	1.500	38.1	1.500	39	1.535			15	0.591	027N2025
50	2	60.3	2.374	52.5	2.067	52.5	2.067	39	1.535			15	0.591	027N2026

Socket welding ANSI (B 16.11)

Tongue flange sets:

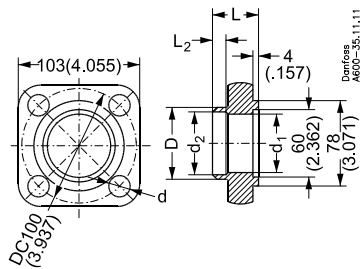
Size mm	Size in.	D mm	D in.	d ₁ mm	d ₁ in.	d ₂ mm	d ₂ in.	L mm	L in.	L ₂ mm	L ₂ in.	d mm	d in.	Code no.
32	1 1/4	55.3	2.177	35	1.378	42.9	1.689	39	1.535	13	0.512	15	0.591	027N2014
40	1 1/2	61.9	2.437	40.8	1.606	49	1.929	39	1.535	13	0.512	15	0.591	027N2015

Tongue/tongue flange sets version 7

Used for **PHT 200, PHTQ 200, PHT 300, PHTQ 300, EVSA 50**

Each code no. includes two flanges.

Separate flange gaskets,
ID 60 x OD 78 x 1.5 mm
(ID 2.362 x OD 3.071 x 0.059 in.):
Code no. 026H0051 (40 pcs.)



Butt welding DIN (2448)

Tongue flange sets:

Size mm	Size in.	D mm	D in.	d ₁ mm	d ₁ in.	d ₂ mm	d ₂ in.	L mm	L in.	L ₂ mm	L ₂ in.	d mm	d in.	Code no.
40	1 1/2	49	1.929	40	1.575	43	1.693	39	1.535	7	0.275	15	0.590	027N1040
50	2	60.5	2.382	52	2.047	54	2.126	39	1.535	8	0.315	15	0.590	027N1050

Soldering ANSI B 16.22

Tongue flange sets:

	Size in.	D mm	D in.	d ₁ mm	d ₁ in.	d ₂ mm	d ₂ in.	L mm	L in.	L ₂ mm	L ₂ in.	d mm	d in.	Code no.
	2 1/8	65	2.559	50	1.968	54	2.126	39	1.535	32	1.260	15	0.590	027L1050

Spare parts

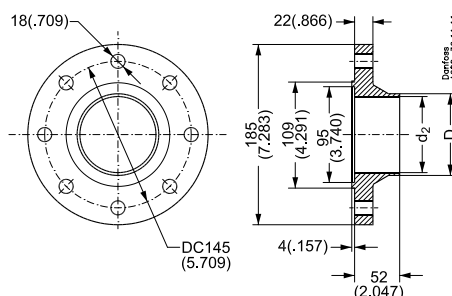
Flanges, Gaskets, Bolts and Nuts

Tongue/tongue flange sets version 8

Used for **NRVA 65**

Each code no. includes two flanges.

Separate flange gaskets,
ID 95 x OD 109 x 2 mm
(ID 3.741 x OD 4.291 x 0.079 in.):
Code no. 020-2136 (40 pcs.)



Butt welding DIN (2448)

Tongue flange set:

Size mm	Size in.	D mm	D in.	d ₂ mm	d ₂ in.													Code no.
65	2 1/2	76	2.992	70.3	2.768													027N1055

Butt welding ANSI B 36.10

Tongue flange set:

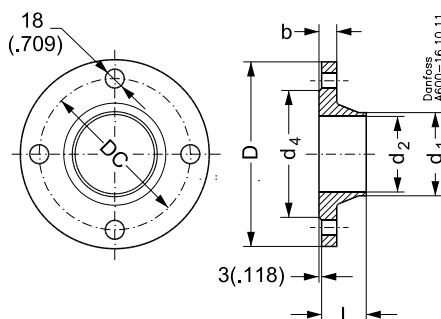
Size mm	Size in.	D mm	D in.	d ₂ mm	d ₂ in.													Code no.
65	2 1/2	73	2.874	62.5	2.461													027N2027

Sealing recess flanges version 9A

Used for **WVS 50 and WVTS 50**

Each code no. includes two flanges.

Separate flange gaskets,
ID 57 x OD 107 x 2 mm
(ID 2.244 x OD 4.212 x 0.079 in.):
Code no. 016D0071 (40 pcs.)



Butt welding DIN (2448)

Sealing recess flange:

Size mm	Size in.	D mm	D in.	d ₁ mm	d ₁ in.	d ₂ mm	d ₂ in.	d ₄ mm	d ₄ in.	L mm	L in.	b mm	b in.	DC mm	DC in.			Code no.
50	2	165	6.496	60.3	2.374	50.0	1.968	102	4.016	45	1.772	18	0.709	125	4.921			027N3050

Pipe thread ISO 228/1 (BSP int.)

Sealing recess flange:

Size mm	Size in.	D mm	D in.	d ₁ mm	d ₁ in.	d ₂ mm	d ₂ in.	d ₄ mm	d ₄ in.	L mm	L in.	b mm	b in.	DC mm	DC in.			Code no.
50	G 2	165	6.496					102	4.016	28	1.102	18	0.709	125	4.921			027N3050

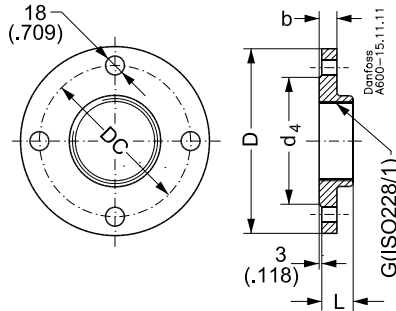
Spare parts

Flanges, Gaskets, Bolts and Nuts

Sealing recess flanges version 9B

Used for **WVS 65, WVTS 65, EVSI 65**

Each code no. includes two flanges.



Separate flange gaskets,
ID 76 x OD 127 x 2 mm
(ID 2.992 x OD 5 x 0.079 in.);
Code no. 016D0072 (40 pcs.)

Butt welding DIN (2448)

Sealing recess flange:

Size mm	Size in.	D mm	D in.	d ₁ mm	d ₁ in.	d ₂ mm	d ₂ in.	d ₄ mm	d ₄ in.	L mm	L in.	b mm	b in.	DC mm	DC in.	Code no.
65	2 1/2	185	7.283	76.1	2.996	65.0	2.559	122	4.803	45	1.772	18	0.709	145	5.709	027N3065

Pipe thread ISO 228/1 (BSP int.)

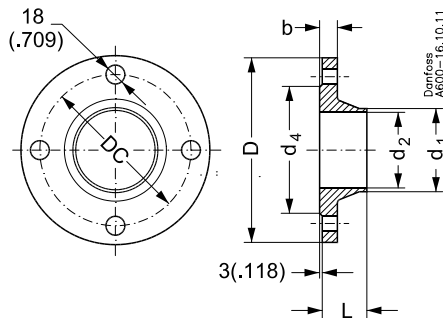
Sealing recess flange:

Size mm	Size in.	D mm	D in.	d ₁ mm	d ₁ in.	d ₂ mm	d ₂ in.	d ₄ mm	d ₄ in.	L mm	L in.	b mm	b in.	DC mm	DC in.	Code no.
G 65	G 2 1/2	185	7.283					122	4.803	32	1.260	18	0.709	145	5.709	027G3065

Sealing recess flanges version 9C

Used for **WVS 80, WVTS 80, EVSI 80**

Each code no. includes two flanges.



Separate flange gaskets,
ID 89 x OD 142 x 2 mm
(ID 3.504 x OD 5.590 x 0.079 in.);
Code no. 016D0073 (40 pcs.)

Butt welding DIN (2448)

Sealing recess flange:

Size mm	Size in.	D mm	D in.	d ₁ mm	d ₁ in.	d ₂ mm	d ₂ in.	d ₄ mm	d ₄ in.	L mm	L in.	b mm	b in.	DC mm	DC in.	Code no.
75	3	200	7.874	88.9	3.500	80.0	3.150	138	5.433	50	1.968	20	1.787	160	6.299	027N3080

Pipe thread ISO 228/1 (BSP int.)

Sealing recess flange:

Size mm	Size in.	D mm	D in.	d ₁ mm	d ₁ in.	d ₂ mm	d ₂ in.	d ₄ mm	d ₄ in.	L mm	L in.	b mm	b in.	DC mm	DC in.	Code no.
75	G 3	200	7.874					138	5.433	34	1.338	20	1.787	160	6.299	027G3080

Spare parts

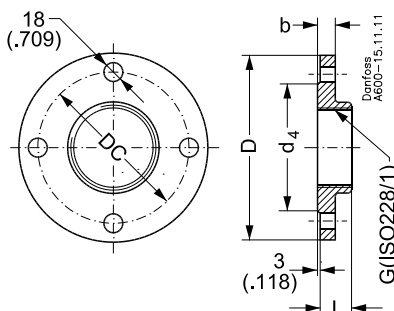
Flanges, Gaskets, Bolts and Nuts

Sealing recess flanges version 9D

Used for
WVS 100, WVTS 100, EVSI 100

Each code no. includes two flanges.

Separate flange gaskets,
ID 108 x OD 162 x 2 mm
(ID 4.252 x OD 6.378 x 0.079 in.):
Code no. 016D0074 (40 pcs.)



Butt welding DIN (2448)

Sealing recess flange:

Size mm	Size in.	D mm	D in.	d ₁ mm	d ₁ in.	d ₂ mm	d ₂ in.	d ₄ mm	d ₄ in.	L mm	L in.	b mm	b in.	DC mm	DC in.	Code no.
100	4	220	8.661	114.3	4.500	107.1	4.216	158	6.220	52	2.047	20	1.787	180	7.087	027N3100

Pipe thread ISO 228/1 (BSP int.)

Sealing recess flange:

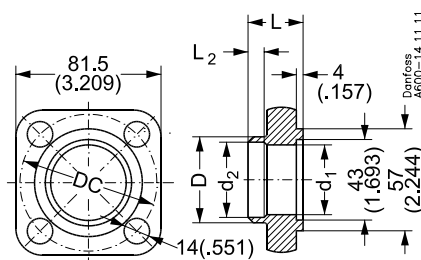
Size mm	Size in.	D mm	D in.	d ₁ mm	d ₁ in.	d ₂ mm	d ₂ in.	d ₄ mm	d ₄ in.	L mm	L in.	b mm	b in.	DC mm	DC in.	Code no.
100	G 4	220	8.661					158	6.220	38	1.496	20	1.787	180	7.087	027G3100

Tongue/tongue flange sets version 10

Used for
PM 32, PML 32, PMLX 32, PMFL 125,
PMFH 125

Each code no. includes two flanges.

Separate flange gaskets,
ID 43 x OD 57 x 1.5 mm
(ID 1.693 x OD 2.244 x 0.059 in.):
Code no. 027F2176 (40 pcs.)



Butt welding DIN (2448)

Tongue flange sets:

Size mm	Size in.	D mm	D in.	d ₁ mm	d ₁ in.	d ₂ mm	d ₂ in.	L mm	L in.	L ₂ mm	L ₂ in.	DC mm	DC in.	Code no.
32	1 1/4	43	1.693	37	1.457	37	1.457	36.5	1.437	15	0.590	80	3.150	027N2332
40	1 1/2	49	1.929	38	1.496	43	1.693	36.5	1.437	15	0.590	80	3.150	027N2340

Butt welding ANSI B 36.10

Tongue flange sets:

Size mm	Size in.	D mm	D in.	d ₁ mm	d ₁ in.	d ₂ mm	d ₂ in.	L mm	L in.			DC mm	DC in.	Code no.
32	1 1/4	42.4	1.669	32.6	1.283	32.6	1.283	36.5	1.437			80	3.150	027N3034
40	1 1/2	48.3	1.902	38.1	1.500	38.1	1.500	36.5	1.437			80	3.150	027N3035

To be continued next page

Spare parts

Flanges, Gaskets, Bolts and Nuts

Tongue/tongue flange sets
version 10
(Continued)

Socket welding ANSI (B 16.11)

Tongue flange sets:

Size mm	Size in.	D mm	D in.	d ₁ mm	d ₁ in.	d ₂ mm	d ₂ in.	L mm	L in.	L ₂ mm	L ₂ in.	DC mm	DC in.	Code no.
32	1¼	52	2.047	35	1.378	42.9	1.689	36.5	1.437	13	1.512	80	3.150	027N2003

Soldering DIN (2856)

Tongue flange sets:

Size mm	D mm	D in.	d ₁ mm	d ₁ in.	d ₂ mm	d ₂ in.	L mm	L in.	L ₂ mm	L ₂ in.	DC mm	DC in.	Code no.
35	47	1.850	32	1.260	35	1.378	36.5	1.437	25	0.984	14	0.551	027L2335

Soldering ANSI B 16.22

Tongue flange sets:

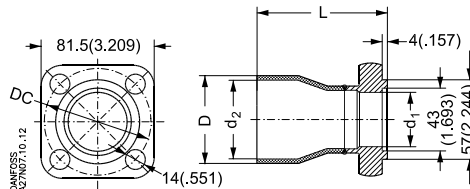
Size in.	D mm	D in.	d ₁ mm	d ₁ in.	d ₂ mm	d ₂ in.	L mm	L in.	L ₂ mm	L ₂ in.	DC mm	DC in.	Code no.
1¾	47	1.850	32	1.260	35	1.378	36.5	1.437	25	0.984	14	0.551	027L2335

version 10, oversize

Used for
PM 32, PML 32, PMLX 32, PMFL 125,
PMFH 125

Each code no. includes two flanges.

Separate flange gaskets,
 ID 43 x OD 57 x 1.5 mm
 (ID 1.693 x OD 2.244 x 0.059 in.):
Code no. 027F2176 (40 pcs.)



Butt welding DIN (2448)

Tongue flange set:

Size mm	Size in.	D mm	D in.	d ₁ mm	d ₁ in.	d ₂ mm	d ₂ in.	L mm	L in.	DC mm	DC in.	Code no.
50	2	60.3	2.374	37	1.457	54.5	2.146	113	4.449	80	3.150	027N1232

Spare parts

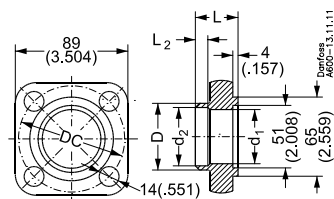
Flanges, Gaskets, Bolts and Nuts

Tongue/tongue flange sets version 11

Used for
PM 40, PML 40, PMLX 40, PMFL 200, PMFH 200

Each code no. includes two flanges.

Separate flange gaskets,
ID 51 x OD 65 x 1.5 mm
(ID 2.008 x OD 2.559 x 0.059 in.):
Code no. 027F2177 (40 pcs.)



Butt welding DIN (2448)

Tongue flange sets:

Size mm	Size in.	D mm	D in.	d ₁ mm	d ₁ in.	d ₂ mm	d ₂ in.	L mm	L in.	L ₂ mm	L ₂ in.	DC mm	DC in.	Code no.
40	1 1/2	49	1.929	43	1.693	43	1.693	43.5	1.712	15	0.590	90	3.543	027N2440
50	2	60.5	2.382	49	1.929	54	2.126	43.5	1.712	15	0.590	90	3.543	027N2450

Butt welding ANSI B 36.10

Tongue flange sets:

Size mm	Size in.	D mm	D in.	d ₁ mm	d ₁ in.	d ₂ mm	d ₂ in.	L mm	L in.	DC mm	DC in.	Code no.
40	1 1/2	48.2	1.898	38.1	1.500	38.1	1.500	43.5	1.713	90	3.543	027N3036
50	2	60.3	2.374	49	1.929	49	1.929	43.5	1.713	90	3.543	027N3037

Socket welding ANSI (B 16.11)

Tongue flange set:

Size mm	Size in.	D mm	D in.	d ₁ mm	d ₁ in.	d ₂ mm	d ₂ in.	L mm	L in.	L ₂ mm	L ₂ in.	DC mm	DC in.	Code no.
40	1 1/2	61.9	2.437	40.8	1.606	48.9	1.925	43.5	1.713	13	0.512	90	3.543	027N2004

Soldering DIN (2856)

Tongue flange set:

Size mm	D mm	D in.	d ₁ mm	d ₁ in.	d ₂ mm	d ₂ in.	L mm	L in.	L ₂ mm	L ₂ in.	DC mm	DC in.	Code no.
42	54	2.126	38	1.496	41	1.614	43.5	1.712	28	1.102	90	3.543	027L2442

Soldering ANSI B 16.22

Tongue flange set:

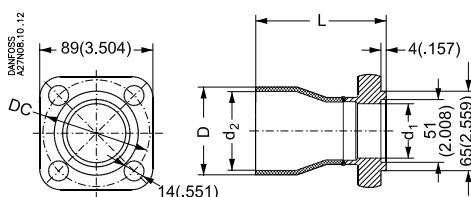
Size in.	D mm	D in.	d ₁ mm	d ₁ in.	d ₂ mm	d ₂ in.	L mm	L in.	L ₂ mm	L ₂ in.	DC mm	DC in.	Code no.
1 5/8	54	2.126	38	1.496	41	1.614	43.5	1.712	28	1.102	90	3.543	027L2441

version 11, oversize

Used for
PM 40, PML 40, PMLX 40, PMFL 200, PMFH 200

Each code no. includes two flanges.

Separate flange gaskets,
ID 51 x OD 65 x 1.5 mm
(ID 2.008 x OD 2.560 x 0.059 in.):
Code no. 027F2177 (40 pcs.)



Butt welding DIN (2448)

Tongue flange set:

Size mm	Size in.	D mm	D in.	d ₁ mm	d ₁ in.	d ₂ mm	d ₂ in.	L mm	L in.	DC mm	DC in.	Code no.
65	2 1/2	76.1	2.996	43	1.693	70.3	2.768	134	5.275	90	3.543	027N1233

Spare parts

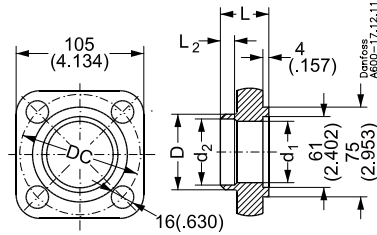
Flanges, Gaskets, Bolts and Nuts

Tongue/tongue flange sets version 12

Used for **PM 50, PML 50, PMLX 50, PMFL 300, PMFH 300**

Each code no. includes two flanges.

Separate flange gaskets, ID 61 x OD 75 x 1.5 mm (ID 2.402 x OD 2.953 x 0.059 in.):
Code no. 027F2178 (40 pcs.)



Butt welding DIN (2448)

Tongue flange sets:

Size mm	Size in.	D mm	D in.	d ₁ mm	d ₁ in.	d ₂ mm	d ₂ in.	L mm	L in.	L ₂ mm	L ₂ in.	DC mm	DC in.	Code no.
50	2	60.5	2.382	54	2.126	54	2.126	45.5	1.791	21	0.827	108	4.252	027N2550
65	2½	76.5	3.012	59	2.323	70	2.756	45.5	1.791	21	0.827	108	4.252	027N2565

Butt welding ANSI B 36.10

Tongue flange sets:

Size mm	Size in.	D mm	D in.	d ₁ mm	d ₁ in.	d ₂ mm	d ₂ in.	L mm	L in.	L ₂ mm	L ₂ in.	DC mm	DC in.	Code no.
50	2	60.3	2.374	52.5	2.067	52.5	2.067	45.5	1.791			108	4.252	027N3038
65	2½	73	2.874	59	2.323	62.5	2.461	45.5	1.791	6	0.236	108	4.252	027N3039

Socket welding ANSI (B 16.11)

Tongue flange set:

Size mm	Size in.	D mm	D in.	d ₁ mm	d ₁ in.	d ₂ mm	d ₂ in.	L mm	L in.	L ₂ mm	L ₂ in.	DC mm	DC in.	Code no.
50	2	75.5	2.972	61	2.402	61.4	2.417	45.5	1.791	17	0.669	108	4.252	027N2005

Soldering DIN (2856)

Tongue flange set:

Size mm	Size in.	D mm	D in.	d ₁ mm	d ₁ in.	d ₂ mm	d ₂ in.	L mm	L in.	L ₂ mm	L ₂ in.	DC mm	DC in.	Code no.
54		65	2.559	50	1.969	54.1	2.130	45.5	1.791	33	1.299	108	4.252	027L2554

Soldering ANSI B 16.22

Tongue flange set:

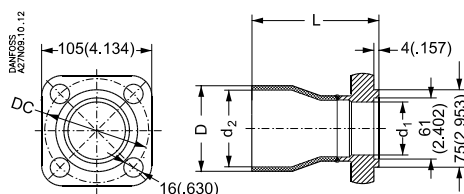
Size in.	D mm	D in.	d ₁ mm	d ₁ in.	d ₂ mm	d ₂ in.	L mm	L in.	L ₂ mm	L ₂ in.	DC mm	DC in.	Code no.
2⅛	65	2.559	50	1.969	54.1	2.130	45.5	1.791	33	1.299	108	4.252	027L2554

version 12, oversize

Used for **PM 50, PML 50, PMLX 50, PMFL 300, PMFH 300**

Each code no. includes two flanges.

Separate flange gaskets, ID 61 x OD 75 x 1.5 mm (ID 2.402 x OD 2.953 x 0.059 in.):
Code no. 027F2178 (40 pcs.)



Butt welding DIN (2448)

Tongue flange set:

Size mm	Size in.	D mm	D in.	d ₁ mm	d ₁ in.	d ₂ mm	d ₂ in.	L mm	L in.			DC mm	DC in.	Code no.
80	3	88.9	3.500	54	2.126	82.5	3.248	136	5.354			108	4.252	027N1234

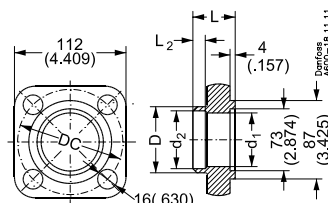
Spare parts

Flanges, Gaskets, Bolts and Nuts

Tongue/tongue flange sets version 13

Used for
PM 65, PML 65, PMLX 65, PMFH 500

Each code no. includes two flanges.



Separate flange gaskets,
ID 73 x OD 87 x 1.5 mm
(ID 2.874 x OD 3.425 x 0.059 in.):
Code no. **027F2179** (40 pcs.)

Butt welding DIN (2448)

Tongue flange sets:

Size mm	Size in.	D mm	D in.	d ₁ mm	d ₁ in.	d ₂ mm	d ₂ in.	L mm	L in.	L ₂ mm	L ₂ in.	DC mm	DC in.	Code no.
65	2 1/2	76.5	3.012	70	2.756	70	2.756	47.5	1.870	21	0.827	118	4.646	027N2665
80	3	89	3.504	71	2.795	82	3.228	47.5	1.870	21	0.827	118	4.646	027N2680

Butt welding ANSI B 36.10

Tongue flange sets:

Size mm	Size in.	D mm	D in.	d ₁ mm	d ₁ in.	d ₂ mm	d ₂ in.	L mm	L in.	L ₂ mm	L ₂ in.	DC mm	DC in.	Code no.
65	2 1/2	73	2.874	62.6	2.465	62.6	2.465	47.5	1.870			118	4.646	027N3040
80	3	88.9	3.500	71	2.795	77.9	3.067	47.5	1.870	10	0.394	118	4.646	027N3041

Socket welding ANSI (B 16.11)

Tongue flange set:

Size mm	Size in.	D mm	D in.	d ₁ mm	d ₁ in.	d ₂ mm	d ₂ in.	L mm	L in.	L ₂ mm	L ₂ in.	DC mm	DC in.	Code no.
65	2 1/2	91.9	3.618	64	2.520	74.2	2.921	47.5	1.870	17	0.669	118	4.646	027N2006

Soldering DIN (2856)

Tongue flange set:

Size mm	D mm	D in.	d ₁ mm	d ₁ in.	d ₂ mm	d ₂ in.	L mm	L in.	L ₂ mm	L ₂ in.	DC mm	DC in.	Code no.
76	81	3.189	63	2.480	66.8	2.630	45.5	1.791	33	1.299	118	4.646	027L2666

Soldering ANSI B 16.22

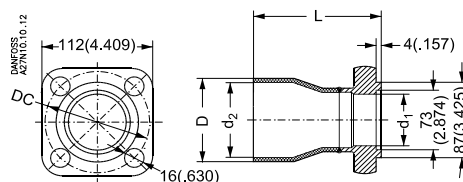
Tongue flange set:

Size in.	D mm	D in.	d ₁ mm	d ₁ in.	d ₂ mm	d ₂ in.	L mm	L in.	L ₂ mm	L ₂ in.	DC mm	DC in.	Code no.
2 5/8	88	3.464	70	2.756	76	2.992	47.5	1.870	33	1.299	118	4.646	027L2676

Version 13, oversize

Used for
PM 65, PML 65, PMLX 65, PMFH 500

Each code no. includes two flanges.



Separate flange gaskets,
ID 73 x OD 87 x 1.5 mm
(ID 2.874 x OD 3.425 x 0.059 in.):
Code no. **027F2179** (40 pcs.)

Butt welding DIN (2448)

Tongue flange set:

Size mm	Size in.	D mm	D in.	d ₁ mm	d ₁ in.	d ₂ mm	d ₂ in.	L mm	L in.			DC mm	DC in.	Code no.
90	3 1/2	101.6	4.000	71	2.795	94.4	3.717	148	5.827			118	4.646	027N1235

Spare parts

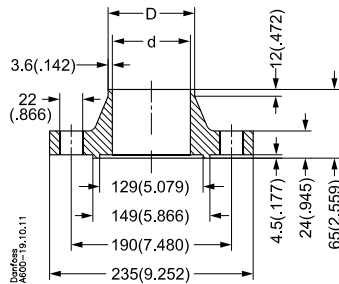
Flanges, Gaskets, Bolts and Nuts

Tongue/tongue flange sets version 14A

Used for
PM 80, PML 80, PMLX 80

Each code no. includes two flanges.

Separate flange gaskets,
ID 129 x OD 149 x 2 mm
(ID 5.079 x OD 5.866 x 0.079 in.):
Code no. 027F2120 (8 pcs.)



Butt welding DIN (2448)

Tongue flange set:

Size mm	Size in.	D mm	D in.	d mm	d in.	Code no.
100	4	114.3	4.500	107.1	4.217	027F2123

Butt welding ANSI B 36.10

Tongue flange set:

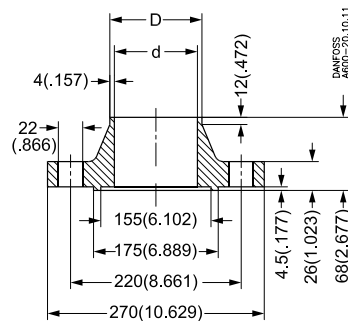
Size mm	Size in.	D mm	D in.	d mm	d in.	Code no.
100	4	114.3	4.500	102.3	4.028	027N3042

Tongue/tongue flange sets version 14B

Used for
PM 100, PML 100, PMLX 100

Each code no. includes two flanges.

Separate flange gaskets,
ID 155 x OD 175 x 2 mm
(ID 6.102 x OD 6.890 x 0.079 in.):
Code no. 027F2121 (8 pcs.)



Butt welding DIN (2448)

Tongue flange set:

Size mm	Size in.	D mm	D in.	d mm	d in.	Code no.
125	5	139.7	5.500	131.7	5.185	027F2124

Butt welding ANSI B 36.10

Tongue flange set:

Size mm	Size in.	D mm	D in.	d mm	d in.	Code no.
125	5	141.3	5.563	128.2	5.047	027N3043

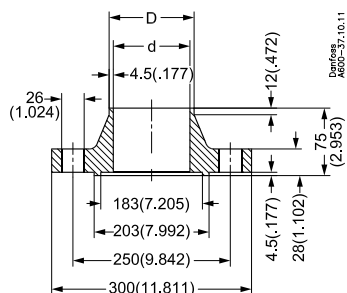
Spare parts

Flanges, Gaskets, Bolts and Nuts

Tongue/tongue flange sets version 14C

Used for
PM 125, PML 125, PMLX 125

Each code no. includes two flanges.



Separate flange gaskets,
ID 183 x OD 203 x 2 mm
(ID 7.205 x OD 7.992 x 0.079 in.):
Code no. 027F2122 (8 pcs.)

Butt welding DIN (2448)

Tongue flange set:

Size mm	Size in.	D mm	D in.	d mm	d in.	Code no.
150	6	168.3	6.626	159.3	6.272	027F2125

Butt welding ANSI B 36.10

Tongue flange set:

Size mm	Size in.	D mm	D in.	d mm	d in.	Code no.
150	6	168.3	6.626	154.1	6.067	027N3044

Gaskets

Flange version	Gasket dimensions ID x OD x h mm	Gasket dimensions ID x OD x h in.	Multipack qty	Code no.
1 - 1.1 - 1.2 - 1.3 - 1.4	22 x 32 x 1.0	0.866 x 1.260 x 0.039	40	020-2133
2 - 2.1 - 2.2 - 2.3	32 x 44 x 1.5	1.260 x 1.732 x 0.059	40	011L8101
3	29 x 39 x 1.5	1.142 x 1.535 x 0.059	40	027F2175
4	42.5 x 57.5 x 1.5	1.673 x 2.264 x 0.059	40	027F2176
5	45.5 x 59.5 x 1.5	1.791 x 2.342 x 0.059	40	026H0050
6	60.5 x 75.5 x 1.5	2.382 x 2.972 x 0.059	40	027F2178
7	59.5 x 78.5 x 1.5	2.342 x 3.090 x 0.059	40	026H0051
8	94 x 110 x 2	3.701 x 4.331 x 0.079	40	020-2136
9A	57 x 107 x 2	2.244 x 4.212 x 0.079	40	016D0071
9B	76 x 127 x 2	2.992 x 5 x 0.079	40	016D0072
9C	89 x 142 x 2	3.504 x 5.590 x 0.079	40	016D0073
9D	108 x 162 x 2	4.252 x 6.378 x 0.079	40	016D0074
10	42.5 x 57.5 x 1.5	1.673 x 2.264 x 0.059	40	027F2176
11	51 x 65 x 1.5	2.008 x 2.559 x 0.059	40	027F2177
12	60.5 x 75.5 x 1.5	2.382 x 2.972 x 0.059	40	027F2178
13	73 x 87 x 1.5	2.874 x 3.425 x 0.059	40	027F2179
14A	129 x 149 x 2	5.079 x 5.866 x 0.079	8	027F2120
14B	155 x 175 x 2	6.102 x 6.890 x 0.079	8	027F2121
14C	183 x 203 x 2	7.205 x 7.992 x 0.059	8	027F2122

Staybolt sets

Materials:
C 22 B2, W. no. 1.5508

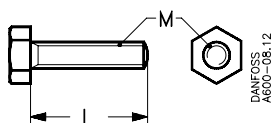


Staybolts, nuts and flange gaskets for	Thread M	L ₁ mm	L ₁ in.	L mm	L in.	Code no.
TE 12 without filter, FA 15	M 12	19	0.748	127	5.000	006-1108
TE 12 with filter	M 12	19	0.748	180	7.087	006-1102
TEA 20, TEAT 20 and TEVA 20 without filter	M 12	19	0.748	115	4.527	006-1107
TEA 20, TEAT 20 and TEVA 20 with filter	M 12	19	0.748	170	6.693	006-1103
TEA 85, TEAT 85 and TEVA 85 without filter	M 12	25	0.984	132	5.197	006-1109
TEA 85, TEAT 85 and TEVA 85 with filter	M 12	25	0.984	206	8.110	006-1106
EVR 15, EVRA 3, EVRA 10 and 15 without filter	M 12	19	0.748	135	5.315	006-1134
EVR 20 and 25, EVRA 20 and 25 without filter	M 12	22	0.866	167	6.575	006-1137
EVRA 10 and 15 (GG 25) with filter	M 12	19	0.748	188	7.401	006-1104
EVRA 10 (GGG 40.3) + FA 15	M 12	19	0.748	107	4.212	006-1101
EVRA 20 and 25 (GG25) with filter	M 12	22	0.866	240	9.449	006-1105
EVRA 20 (GGG 40.3) + FA 20	M 12	19	0.748	127	5.000	006-1108
FA 20	M 12	22	0.866	160	6.299	006-1136
NRVA 15 and 20	M 12	19	0.748	115	4.527	006-1107
NRVA 25 and 32	M 12	12	0.472	148	5.827	006-1135
NRVA 40 and 50	M 12	22	0.866	167	6.575	006-1137
NRVA 65	M 16	25	0.984	200	7.874	006-1138

Description	Qty	Description	Qty
Code no. 006-1101:		Code no. 006-1108:	
Staybolt M 12 x 107 mm (4.213 in.)	2	Staybolt M 12 x 127 mm (5 in.)	2
Nut M 12	4	Nut M 12	4
Flange gasket	3	Flange gasket	3
Code no. 006-1102:		Code no. 006-1109:	
Staybolt M 12 x 180 mm (7.087 in.)	2	Staybolt M 12 x 132 mm (7.197 in.)	2
Nut M 12	4	Nut M 12	4
Flange gasket	3	Flange gasket	3
Code no. 006-1103:		Code no. 006-1134:	
Staybolt M 12 x 170 mm (6.693 in.)	2	Staybolt M 12 x 135 mm (5.315 in.)	2
Nut M 12	4	Nut M 12	4
Flange gasket	3	Flange gasket	3
Code no. 006-1104:		Code no. 006-1135:	
Staybolt M 12 x 188 mm (7.402 in.)	2	Staybolt M 12 x 148 mm (5.827 in.)	4
Nut M 12	4	Nut M 12	8
Flange gasket	3	Flange gasket	2
Code no. 006-1105:		Code no. 006-1136:	
Staybolt M 12 x 240 mm (9.449 in.)	2	Staybolt M 12 x 160 mm (6.299 in.)	2
Nut M 12	4	Nut M 12	4
Flange gasket	3	Flange gasket	2
Code no. 006-1106:		Code no. 006-1137:	
Staybolt M 12 x 206 mm (8.110 in.)	2	Staybolt M 12 x 167 mm (6.575 in.)	4
Nut M 12	4	Nut M 12	8
Flange gasket	3	Flange gasket	2
Code no. 006-1107:		Code no. 006-1138:	
Staybolt M 12 x 115 mm (4.527 in.)	2	Staybolt M 16 x 200 mm (7.874 in.)	8
Nut M 12	4	Nut M 16	16
Flange gasket	3	Flange gasket	2

Spare parts
Flanges, Gaskets, Bolts and Nuts
**Bolts and nuts
for flange connection**

Materials:
Bolts, property class 8.8 to ISO 898
Nuts, property class 8 to ISO 898



Type	M mm	L mm	L in.	Qty pcs.	Code no. for bolts	Code no. for nuts
FA 25	M 12	35	1.378	8	006-1139 ¹⁾	
EVRA/T 10,15	M 12	35	1.378	4	006-1139	
PHT/Q 125, EVSA 35 and 50, 38E	M 12	40	1.575	8	006-1140 ¹⁾	
PM 5 to 25, PMC 5 to 20	M 12	45	1.772	4	006-1141	
PM 32 to 40	M 12	45	1.772	8	006-1141 ¹⁾	
PML/PMLX 32 to 40	M 12	45	1.772	8	006-1141 ¹⁾	
PMFL 80/PMFH 80	M 12	45	1.772	4	006-1141	
PMFL 125 to 200	M 12	45	1.772	8	006-1141 ¹⁾	
PMFH 125 to 200	M 12	45	1.772	8	006-1141 ¹⁾	
PHT/Q 85, EVSA 25	M 12	45	1.772	4	006-1141	
PHT/Q 300	M 12	45	1.772	8	006-1141 ¹⁾	
EVRA/T 20, EVRA 25	M 12	45	1.772	4	006-1141	
PM 50, PML 50, PMLX 50	M 14	65	2.559	8	006-1142 ¹⁾	006-1146 ¹⁾
PMFL 300/PMFH 300	M 14	65	2.559	8	006-1142 ¹⁾	006-1146 ¹⁾
PM 65, PML 65, PMLX 65	M 14	70	2.756	8	006-1143 ¹⁾	006-1146 ¹⁾
PMFH 500	M 14	70	2.756	8	006-1143 ¹⁾	006-1146 ¹⁾
WVS / WVTS 50, 65, 80	M 16	60	2.362	8	006-1144 ¹⁾	006-1147 ¹⁾
EVSI 65, 80	M 16	60	2.362	8	006-1144 ¹⁾	006-1147 ¹⁾
WVS / WVTS 100	M 16	60	2.362	8	006-1144 ¹⁾	006-1147 ¹⁾
EVSI 100	M 16	60	2.362	8	006-1144 ¹⁾	006-1147 ¹⁾
PM 80, PML 80, PMLX 80	M 20	70	2.756	16	027F2126 ²⁾	
PM 100, PML 100, PMLX 100	M 20	75	2.953	16	027F2127 ²⁾	
PM 125, PML 125, PMLX 125	M 24	80	3.150	16	027F2128 ²⁾	

¹⁾ For qty 8 pcs., please order 2 x code nos.

²⁾ Bolts and nuts included.

Spare parts

Flanges, Gaskets, Bolts and Nuts

Stainless steel flanges

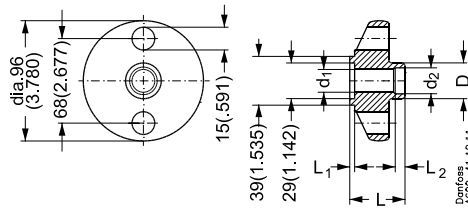
Materials:
Stainless steel,
W no. 1.4541 to DIN 17440
Test certificate to EN 10204 / DIN 50049 - 3.1 B
can be delivered on request

Tongue/tongue flange sets version 3

Used for
FA 20, code nos. 006-0046 / 48 and 036-0062
TEA 85, TEAQ 85, TEAT 85, TEVA 85,
PM 5, 10, 15, 20, 25, PMC 5, 8, 12, 20,
PMFL 80, PMFH 80,
EVR 20, EVR 25, EVRA 20, EVRA 25

Each code no. includes two flanges.

Flange gaskets,
ID 29 x OD 39 x 1.5 mm
(ID 1.142 x OD 1.535 x 0.059 in.):
Code no. 027F2175 (40 pcs.)



Butt welding DIN (2448)

Tongue flange set:

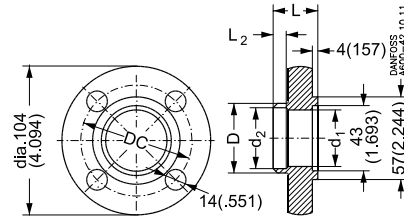
Size mm	Size in.	D mm	D in.	d ₁ mm	d ₁ in.	d ₂ mm	d ₂ in.	L mm	L in.	L ₁ mm	L ₁ in.	L ₂ mm	L ₂ in.	Code no.
25	1	34	1.338	26	1.024	28	1.102	37.5	1.476	3	0.118	6	0.236	192H3014¹⁾

Tongue/tongue flange sets version 10

Used for
PM 32, PML 32, PMLX 32, PMFL 125,
PMFH 125

Each code no. includes two flanges.

Separate flange gaskets,
ID 43 x OD 57 x 1.5 mm:
(ID 1.693 x OD 2.244 x 0.059 in.):
Code no. 027F2176 (40 pcs.)



Butt welding DIN (2448)

Tongue flange set:

Size mm	Size in.	D mm	D in.	d ₁ mm	d ₁ in.	d ₂ mm	d ₂ in.	L mm	L in.	L ₂ mm	L ₂ in.	DC mm	DC in.	Code no.
40	1 1/2	49	1.929	38	1.496	43	1.693	36.5	1.437	8	0.315	80	3.150	192H3016¹⁾

¹⁾ The Flanges must be ordered from:

Interservice
Danfoss Wärme- und Kältetechnik GmbH
Postfach 1261
63130 Heusenstamm
Telefon (06104) 6 98-0
Telefax (06104) 698409

To be continued next page

Spare parts

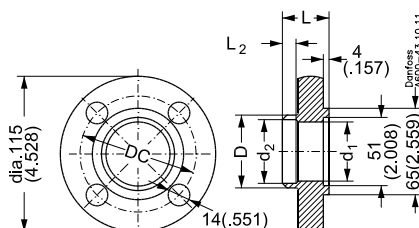
Flanges, Gaskets, Bolts and Nuts

Tongue/tongue flange sets version 11

Used for **PM 40, PML 40, PMLX 40, PMFL 200, PMFH 200**

Each code no. includes two flanges.

Separate flange gaskets,
ID 51 x OD 65 x 1.5 mm
(ID 2.008 x OD 2.560 x 0.059 in.):
Code no. 027F2177 (40 pcs.)



Butt welding DIN (2448)

Tongue flange set:

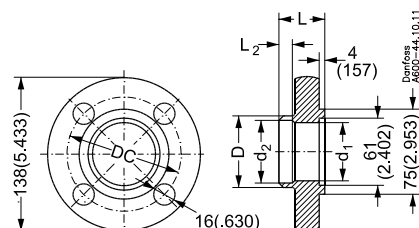
Size mm	Size in.	D mm	D in.	d ₁ mm	d ₁ in.	d ₂ mm	d ₂ in.	L mm	L in.	L ₂ mm	L ₂ in.	DC mm	DC in.	Code no.
50	2	60.5	2.382	51	2.008	54	2.126	43.5	1.712	8	0.315	90	3.543	192H3018¹⁾

Tongue/tongue flange sets version 12

Used for **PM 50, PML 50, PMLX 50, PMFL 300, PMFH 300**

Each code no. includes two flanges.

Separate flange gaskets,
ID 61 x OD 75 x 1.5 mm
(ID 2.406 x OD 2.953 x 0.059 in.):
Code no. 027F2178 (40 pcs.)



Butt welding DIN (2448)

Tongue flange set:

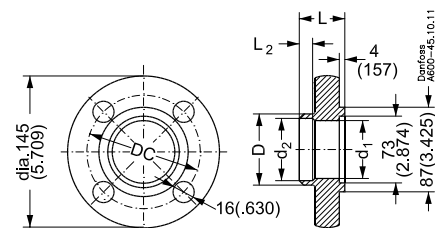
Size mm	Size in.	D mm	D in.	d ₁ mm	d ₁ in.	d ₂ mm	d ₂ in.	L mm	L in.	L ₂ mm	L ₂ in.	DC mm	DC in.	Code no.
65	2 1/2	76.5	3.012	61	2.401	70	2.756	45.5	1.791	8	0.315	108	4.252	192H3020¹⁾

Tongue/tongue flange sets version 13

Used for **PM 65, PML 65, PMLX 65, PMFH 500**

Each code no. includes two flanges.

Separate flange gaskets,
ID 73 x OD 87 x 1.5 mm
(ID 2.874 x OD 3.425 x 0.059 in.):
Code no. 027F2179 (40 pcs.)



Butt welding DIN (2448)

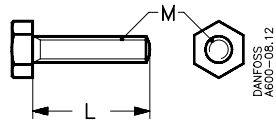
Tongue flange set:

Size mm	Size in.	D mm	D in.	d ₁ mm	d ₁ in.	d ₂ mm	d ₂ in.	L mm	L in.	L ₂ mm	L ₂ in.	DC mm	DC in.	Code no.
80	3	89	3.504	73	2.874	82	3.228	47.5	1.870	8	0.315	118	4.646	192H3022¹⁾

¹⁾ The Flanges must be ordered from:

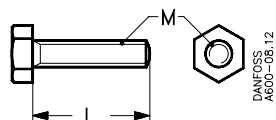
Interservice
Danfoss Wärme- und Kältetechnik GmbH
Postfach 1261
63130 Heusenstamm
Telefon (06104) 6 98-0
Telefax (06104) 698409

Stainless steel bolts and nuts for flange connections

 Materials:
 Property class A2 or A4 to DIN 267


Type	M	L mm	L in.	Qty pcs.	Code no
PM 5 to 25, PMC 5 to 20	M 12	45	1.772	4	027F2220
PM 32 to 40	M 12	45	1.772	8	027F2221
PML/PMLX 32 to 40	M 12	45	1.772	8	027F2221
PMFL 80, PMFH 80	M 12	45	1.772	4	027F2220
PMFL 125, PMFL 200	M 12	45	1.772	8	027F2221
PMFH 125, PMFH 200	M 12	45	1.772	8	027F2221
PHT/Q 85, EVSA 25	M 12	45	1.772	4	027F2220
PHT/Q 125 to 300	M 12	45	1.772	8	027F2221
EVRA/T 20, EVRA 25	M 12	45	1.772	4	027F2220
PM 50, PML 50, PMLX 50, PMFL/H 300	M 14	65	2.559	8	027F2222 ¹⁾
PM 65, PML 65, PMLX 65, PMFH 500	M 14	70	2.756	8	027F2223 ¹⁾
PM 80, PML 80, PMLX 80	M 20	70	2.756	16	027F2224 ¹⁾
PM 100, PML 100, PMLX 100	M 20	75	2.953	16	027F2225 ¹⁾
PM 125, PML 125, PMLX 125	M 24	80	3.150	16	027F2226 ¹⁾

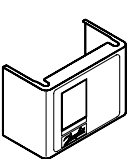
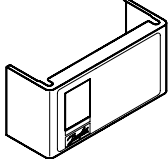
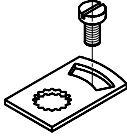
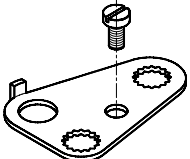


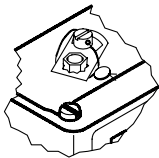

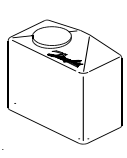
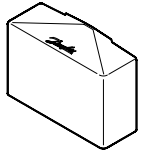

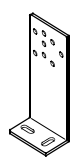




¹⁾ Bolts and nuts included.

Bolts for top and bottom cover
 Main valves, type PM


Type	M	L mm	L in.	Qty	Code no.
PM 5 to 32, PMC 5 to 20	M 10	30	1.181	8	027F2260
PML32, PMLX 32	M 10	30	1.181	8	027F2260
PMFL/PMFH 80 to 125	M 10	30	1.181	8	027F2260
PM 40, PM 50	M 12	35	1.378	8	027F2262
PML 40, PMLX 40	M 12	35	1.378	8	027F2262
PML 50, PMLX 50	M 12	35	1.378	8	027F2262
PMFL/PMFH 200 to 300	M 12	35	1.378	8	027F2262
PM 65, PML 65, PMLX 65	M 14	40	1.575	8	027F2264
PMFH 500	M 14	40	1.575	8	027F2264
PM 80, PML 80, PMLX 80	M 14	50	1.968	12	027F2265 ¹⁾
PM 100, PML 100, PMLX 100	M 14	50	1.968	16	027F2266 ¹⁾
PM 125, PML 125, PMLX 125	M 16	60	2.362	16	027F2267 ¹⁾

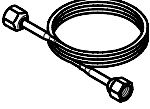
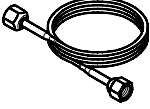
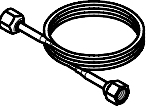
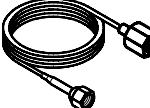
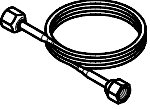
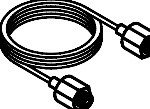
¹⁾ Staybolts and nuts included.

Spare parts and accessories
KP pressure controls


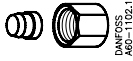
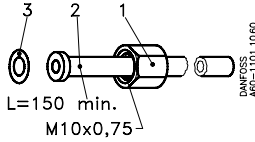

Description	Qty	Code no.	Description	Qty	Code no.
 					
Front cover for single control	1	060-0086	Small locking plate		060-0196
Steel front cover for single control	1	060-0181	Plate	2	
Front cover for dual control	1	060-0113	Screw	2	
Steel front cover for dual control	1	060-0183			
 			Locking plate with stop		060-0189
Top cover for single control		060-1097	Plate	1	
Top plate	1		Screw	2	
Top cover for dual control		060-1098	 		
Top plate	1		Seal screw for locking plate	1	060-1057
Screw	2		 		
Protective cap for single control	1	060-0031	Protective cap for single control	1	060-0031
Protective cap for dual control	1	060-0032	Protective cap for dual control	1	060-0032
  					
Wall bracket		060-1055	Rubber cable entry	1	060-1099
Bracket	1				
Screw, M4 × 5	4		Screwed cable entry, Pg 13.5		060-1059
Washer	4		Cable entry	1	
Angle bracket		060-1056	Nut	1	
Bracket	1				
Screw, M4 × 5	4		Screwed cable entry, Pg 13.5, DIN approved		060-1058
Washer	4		Adapter	1	
Accessories for bracket		060-0103	Nut	1	
Screw, M4 × 5	4		Gasket	1	
Washer	4				

Spare parts and accessories

KP pressure controls

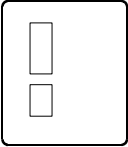
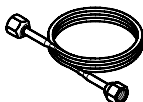
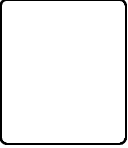
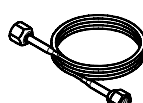

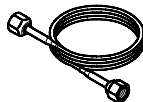

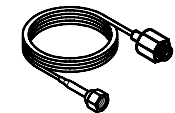

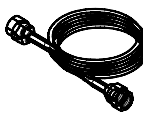

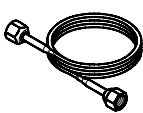

Description		Code no.	Code no.
		Multi-pack	Industry pack
Capillary tube, copper 1/4 in. or 6 mm flare			
			
21 mm tube "tail"	0.5 m	060-0024	060-0190¹⁾
	0.75 m	060-0046	060-0075¹⁾
	1.0 m	060-0048	060-0191¹⁾
	1.5 m	060-0049	060-0192¹⁾
	2.0 m	060-0163	060-0193¹⁾
			
50 mm tube "tail"	0.5 m	060-0170	060-0070¹⁾
	0.75 m	060-0047	060-0195¹⁾
	1.0 m	060-0171	060-0071²⁾
	1.5 m	060-0172	060-0072¹⁾
	2.25 m	060-0176	060-0076³⁾
			
1/4 in. or 6 mm flare with Schraeder valve opener	0.5 m	060-0021	060-0004¹⁾
	1.0 m	060-0022	060-0005¹⁾
	1.5 m	060-0023	060-0006¹⁾
			
1/4 in. flare and M10 × 0.75	1.0 m	060-0020	
Capillary tube, steel, not for NH₃			
			
1/4 in. or 6 mm flare	0.5 m	060-0166	
	1.0 m	060-0167	
	1.5 m	060-0168	
Capillary tube, steel, for NH₃			
			
M10 × 0.75	1.0 m	060-0078	
G 3/8 and M10 × 0.75	1.0 m	060-0082	

¹⁾ 50 pcs.
²⁾ 40 pcs.
³⁾ 25 pcs.

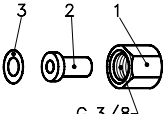
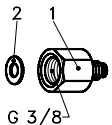

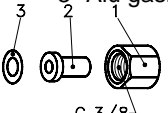
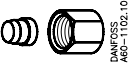
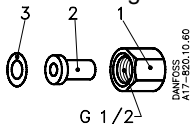
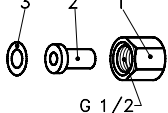
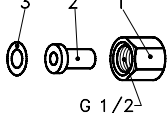
Description	Qty	Code no.
		
Nipple, M10 × 0.75 / G 1/4A	1	060-0104
Nipple	2	
Alu gasket		
Alu gasket for nipple	2	060-0060
		
Cutting ring coupling for 6 mm steel tube	1	060B1210
		
Weld nipple for M10 × 0.75 for NH ₃		060-0057
Pos. 1 Union	1	
2 Nipple, OD 6 mm × 150 mm	1	
3 Alu gasket	2	
		
Damping device, ID = 0.3 mm	2	060-1048

Description	Qty	Code no.
<p>Sensor holder kit Pos.1 Sensor holder 2 Clamp</p>	1 4	017-4201
<p>Sensor clamp Clamp Screw Nut</p>	1 1 1	017-4203
<p>Clamping band Band Screw Nut</p>	1 1 1	017-4204
<p>Capillary tube gland Pos.1 Rubber gasket 2 Union 3 Gland 4 Washer</p>	1 1 1 4	017-4220
<p>Setting knob</p>	10	060-1063

Description	Qty	Code no.
<p>Sensor pocket, brass G 1/2 A (ISO 228/1) Screw-in depth: 112 mm Screw-in depth: 465 mm Pos.1 Sensor pocket 2 Union 3 Washer 4 Rubber plug 5 Washer</p>	1 1 1 1 2	017-4370 017-4216
<p>Sensor pocket, stainless steel 18/8 G 1/2 A (ISO 228/1) 1/2 PTF Screw-in depth: 112 mm Pos.1 Sensor pocket 2 Union 3 Washer 4 Rubber plug 5 Washer</p>	1 1 1 1 2	017-4369 017-4225
<p>Heat conductive compound 8 g 750 g</p>		041E0110 041E0111

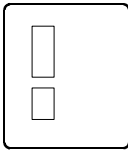
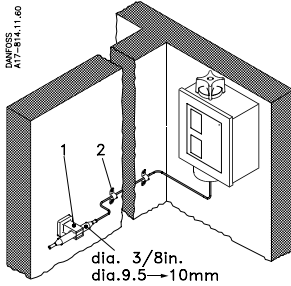

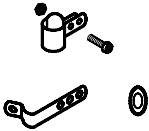



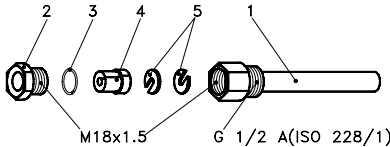


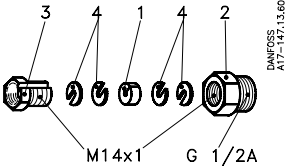
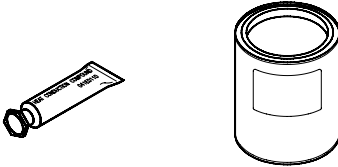
Description	Qty	Code no.	Description	Code no.	Code no.
					
Cover with pane		017-4211		Multi-pack	Industry pack
Cover	1		Capillary tube, copper 1/4 in. or 6 mm flare		
Gasket for cover	1				
Screws	4		21 mm tube "tail" 0.5 m	060-0024	060-0190¹⁾
			0.75 m	060-0046	060-0075¹⁾
			1.0 m	060-0048	060-0191¹⁾
			1.5 m	060-0049	060-0192¹⁾
			2.0 m	060-0163	060-0193¹⁾
					
Cover without pane		017-4213	50 mm tube "tail" 0.5 m	060-0170	060-0070¹⁾
Cover	1		0.75 m	060-0047	060-0195¹⁾
Gasket for cover	1		1.0 m	060-0171	060-0071²⁾
Screw	4		1.5 m	060-0172	060-0072¹⁾
			2.25 m	060-0176	060-0076³⁾
					
DIN 404			1/4 in. or 6 mm flare with Schraeder valve opener 0.5 m	060-0021	060-0004¹⁾
Seal screw for cover	1	017-4249	1.0 m	060-0022	060-0005¹⁾
			1.5 m	060-0023	060-0006¹⁾
					
Protective cap	1	017-4202	1/4 in. flare and M10 x 0.75 1.0 m	060-0020	
					
Seal screw for cap	1	017-4251	Capillary tube, steel not for NH ₃		
					
Setting knob	1	017-4363	1/4 in. or 6 mm flare 0.5 m	060-0166	
			1.0 m	060-0167	
Clamping band		017-4204	1.5 m	060-0168	
Band	1		Capillary tube, steel for NH ₃		
Screw	1		G 3/8 and M10 x 0.75 1.0 m	060-0082	
Nut	1				

¹⁾ 50 pcs.
²⁾ 40 pcs.
³⁾ 25 pcs.

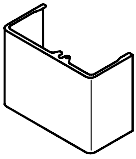
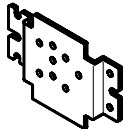
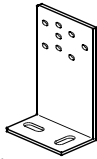

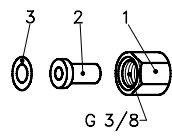
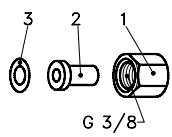
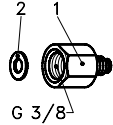

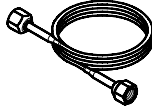
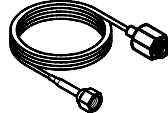
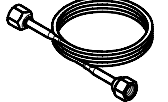
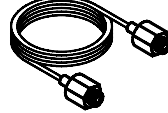
Description	Qty	Code no.	Description	Qty	Code no.
 <p>Solder nipple for G 3/8</p> <p>Pos. 1 Union 1</p> <p>2 Nipple, ID 8 mm / OD 10 mm 1</p> <p>3 Alu gasket 1</p>		017-4368	 <p>Reducer</p> <p>G 3/8 - 1/4 in. flare</p> <p>Pos. 1 Reducer 1</p> <p>2 Alu gasket 1</p>		017-4205
 <p>10 mm cutting ring nipple for G 3/8</p> <p>Pos. 1 Union 1</p> <p>2 Nipple, OD 10 mm x 100 mm 1</p> <p>3 Alu gasket 1</p>		060B1211	<p>Reducer</p> <p>M 10 x 0.75 - 1/4-18 NPT</p> <p>Pos. 1 Nipple 1</p> <p>2 Alu gasket 1</p>		060-0141
 <p>Weld nipple for G 3/8</p> <p>Pos. 1 Union 1</p> <p>2 Nipple, OD 10 mm 1</p> <p>3 Alu gasket 1</p>		017-4229	<p>Alu gasket</p> <p>for reducer and nipple</p> <p>Pos. 2 Alu gasket 2</p>		060B1208
 <p>Cutting ring coupling</p> <p>for 6 mm steel tube 1</p>		060B1210			
 <p>Weld nipple for G 1/2</p> <p>Pos. 1 Union 1</p> <p>2 Nipple, OD 10 mm 1</p> <p>3 Alu gasket 1</p>		017-4299			
 <p>Solder nipple for G 1/2</p> <p>Pos. 1 Union 1</p> <p>2 Nipple, ID 8 mm / OD 10 mm 1</p> <p>3 Alu gasket 1</p>		017-4298			
 <p>Weld nipple for G 1/2</p> <p>Pos. 1 Union 1</p> <p>2 Nipple, OD 10 mm 1</p> <p>3 Alu gasket 1</p>		017-4298			

Accessories

Thermostats, type RT

Description	Qty	Code no.	Description	Qty	Code no.
 <p>Cover with pane Cover Gasket for cover Screws</p>	1 1 4	017-4211	 <p>Sensor holder kit Pos.1 Sensor holder 2 Clamp</p>	1 4	017-4201
 <p>Cover without pane Cover Gasket for cover Screw</p>	1 1 4	017-4213	 <p>Sensor clamp, fig. 1 Clamp Screw Nut</p>	1 1 1	017-4203
 <p>Seal screw for cover</p> <p>DIN 404</p>	1	017-4249	 <p>Clamping band, fig. 2 Band Screw Nut</p>	1 1 1	017-4204
 <p>Protective cap</p>	1	017-4202	 <p>Sensor pocket, brass G 1/2 A (ISO 228/1) Screw-in depth: 112 mm Pos.1 Sensor pocket 2 Union 3 Washer 4 Rubber plug 5 Washer</p>	1 1 1 1 2	017-4370
 <p>Seal screw for cap</p>	1	017-4251	<p>Sensor pocket, stainless steel 18/8 G 1/2 A (ISO 228/1) Screw-in depth: 112 mm Pos.1 Sensor pocket 2 Union 3 Washer 4 Rubber plug 5 Washer</p>	1 1 1 1 2	017-4369
 <p>Setting knob</p>	1	017-4363	 <p>Capillary tube gland Pos.1 Rubber gasket 2 Union 3 Gland 4 Washer</p>	1 1 1 4	017-4220
			 <p>Heat conductive compound 8 g 750 g</p>		041E0110 041E0111

Accessories
Differential pressure controls, type MP 54, 55, and 55A

Description		Qty	Code no.	Description	Code no.	Code no.
					Multi-pack	Industry pack
	Front cover	1	060B1201			
	Wall bracket		060-1055			
	Bracket	1				
	Screw, M4 × 5	4				
	Washer	4				
	Angle bracket		060-1056			
	Bracket	1				
	Screw, M4 × 5	4				
	Washer	4				
	Accessories for bracket		060-0103			
	Screw, M4 × 5	4				
	Washer	4				
	Solder nipple for G 3/8		017-4368			
	Pos.1 Union	1				
	2 Nipple, ID 8 mm/OD 10 mm	1				
	3 Alu gasket	1				
	Weld nipple for G 3/8		017-4229			
	Pos.1 Union	1				
	2 Nipple, OD 10 mm	1				
	3 Alu gasket	1				
	Reducer		017-4205			
	G 3/8 - 1/4 in. flare					
	Pos. 1 Reducer	1				
	2 Alu gasket	1				
	Alu gasket		060B1208			
	for reducer and nipple					
	Pos.2 Alu gasket	2				
	Cutting ring coupling	1	060B1210			
	for 6 mm steel tube					
						
				Capillary tube, copper		
				1/4 in. or 6 mm flare nut		
				21 mm tube "tail"		
				0.5 m	060-0024	060-0190¹⁾
				0.75 m	060-0046	060-0075¹⁾
				1.0 m	060-0048	060-0191¹⁾
				1.5 m	060-0049	060-0192¹⁾
				2.0 m	060-0163	060-0193¹⁾
				50 mm tube "tail"		
				0.5 m	060-0170	060-0070¹⁾
				0.75 m	060-0047	060-0195¹⁾
				1.0 m	060-0171	060-0071²⁾
				1.5 m	060-0172	060-0072¹⁾
				2.25 m	060-0176	060-0076³⁾
				1/4 in. or 6 mm flare nut with Schraeder valve opener		
				0.5 m	060-0021	060-0004¹⁾
				1.0 m	060-0022	060-0005¹⁾
				1.5 m	060-0023	060-0006¹⁾
						
				Capillary tube, copper		
				1/4 in. flare nut M10 x 0.75		
				1.0 m	060-0020	
						
				Capillary tube, steel		
				not for NH ₃		
				1/4 in. or 6 mm flare		
				0.5 m	060-0166	
				1.0 m	060-0167	
				1.5 m	060-0168	
						
				Capillary tube, stainless steel 18/8		
				for NH ₃		
				G 1/2 and G 1/2		
				1.0 m	060-0169	

¹⁾ 50 pcs.

²⁾ 40 pcs.

³⁾ 25 pcs.

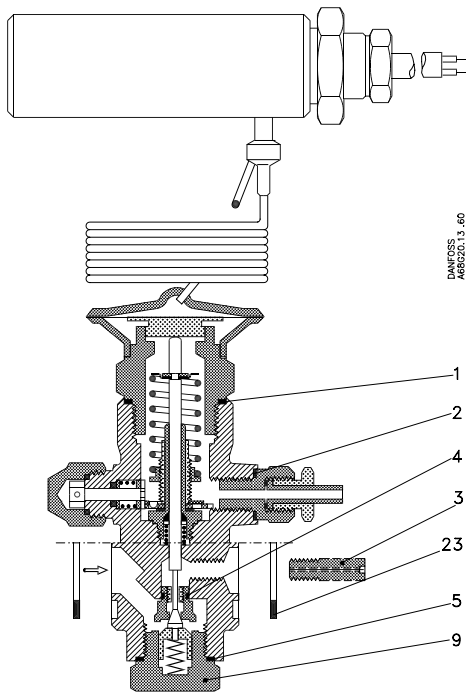


Fig. 1

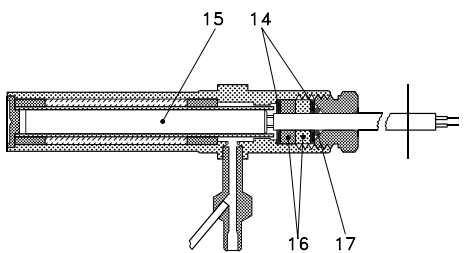


Fig. 2

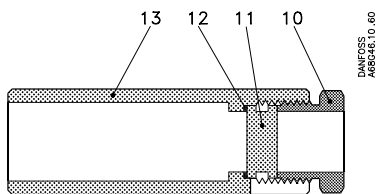


Fig. 3

Description	Qty	Code no.	Code no.	Code no.
Orifice assembly, fig. 1				1 TR 068G2050
Pos. 3 Throttling orifice	1			
4 O-ring	1			
5 Gasket	1			
9 Orifice assembly	1			
Orifice assembly, fig. 1		2 TR 068G2051	3 TR 068G2052	5TR 068G2053
Pos. 4 O-ring	1			
5 Gasket	1			
9 Orifice assembly	1			
Orifice assembly, fig. 1		8 TR 068G2054	12 TR 068G2055	20 TR 068G2056
Pos. 4 O-ring	1			
5 Gasket	1			
9 Orifice assembly	1			
Orifice assembly, fig. 1		33 TR 068G2057	55 TR 068G2058	85 TR 068G2059
Pos. 4 O-ring	1			
5 Gasket	1			
9 Orifice assembly	1			
Seal kit, TEVA 20, fig. 1			068G0051	
Pos. 1 Gasket	1			
2 Gasket	1			
4 O-ring	1			
5 Gasket	1			
23 Flange gasket	2			
Seal kit, TEVA 85, fig. 1			068G0053	
Pos. 1 Gasket	1			
2 Gasket	1			
4 O-ring	1			
5 Gasket	1			
23 Gasket	2			
Electric heating element, 24V 10W a.c. or d.c., fig. 2		068G0037		
Pos.14 Washer	2			
15 Heating element	1			
16 Gasket	2			
17 O-ring	1			
Accessories				
Weld bush, fig. 3		068G0026		
Pos.10 Nut	1			
11 Plug	1			
12 Gasket	1			
13 Bulb pocket	1			

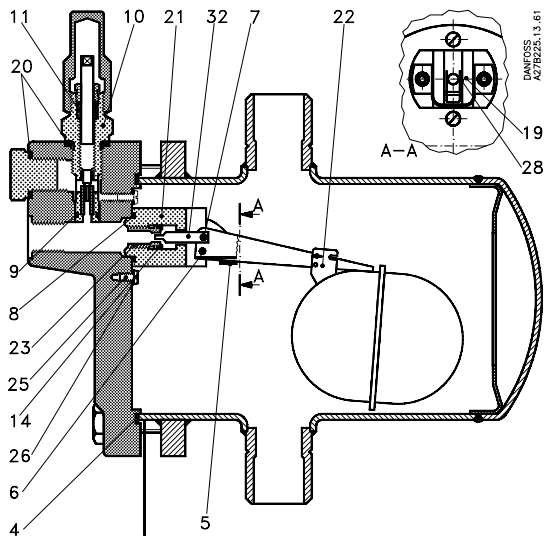


Fig. 1



Fig. 2



Fig. 3



Fig. 4

Insert assembly, fig. 1

Pos.	Description	Qty
5	Clamp	1
6	Pin	1
7	Pin	1
8	O-ring	1
14	O-ring	1
19	Spring washer	2
21	Valve bod	1
22	Float assembly	1
23	Orifice	1
25	Screw	2
28	Nut	2
32	Needle	1

Service kit, fig. 1

6	Pin	1
7	Pin	1
14	O-ring	1
23	Orifice	1
32	Needle	1

Bypass valve, fig. 1

9	O-ring	1
10	Valve assembly	1
20	Gasket	1

Seal kit, fig. 1

4	Gasket	1
8	O-ring	1
9	O-ring	1
11	Teflon gasket	1
14	O-ring	1
20	Gasket	2
26	Gasket	1

Seal kit, fig. 1

4	Gasket	1
---	--------	---

Accessories, figs. 2, 3 and 4

Pilot connector, fig. 2

for solder/weld ID 6.5 / OD 10mm	
Nipple assembly	1
Gasket	1

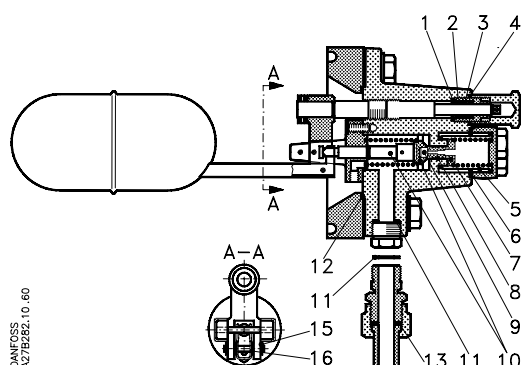
Seal kit, fig. 3

for solder/weld pilot connector	
Alu gasket	4
Gasket	4

Pilot connector, fig. 4

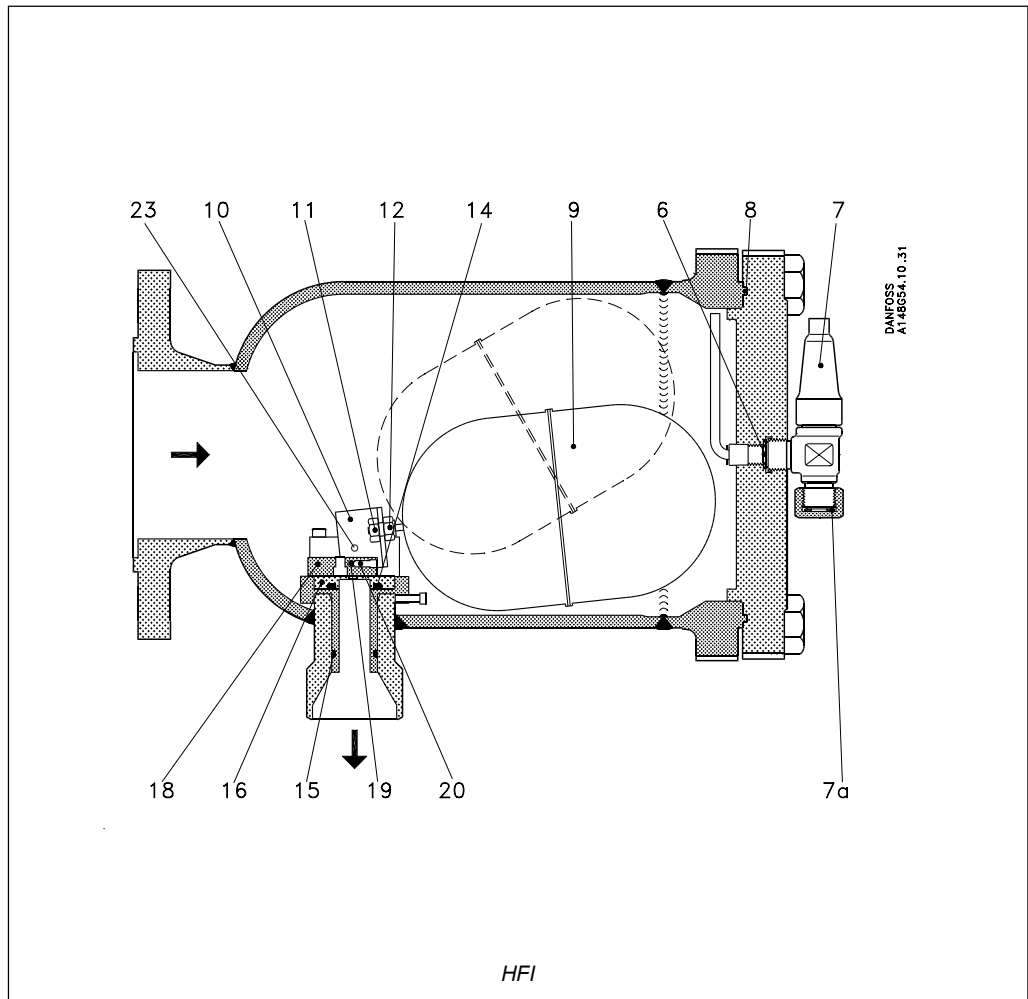
3/8 in. flare	
Nipple	1
Gasket	1

	Size 1	Size 3
Code no.	Code no.	Code no.
027B2051	027B2051	027B2053
027B2055	027B2055	027B2056
027B2046	027B2046	027B2046
027B2045	027B2045	027B2045
027B2061	027B2061	027B2061
027B2047	027B2047	027B2047
027B2028	027B2028	027B2028
027B2033	027B2033	027B2033



DANFOSS
A27B282.1.0.60

Pos. Description	Qty.	Size 4	Size 5	Size 6
		Code no.	Code no.	Code no.
Seal kit		027B2070	027B2070	027B2070
1 Sealing ring	1			
2 O-ring	2			
3 Washer	1			
4 Washer, nylon	1			
6 Gasket	1			
11 Al.-gasket	2			
12 Gasket	1			
13 Al.-gasket	2			
14 Al.-gasket	2			
Service kit		027B2073	027B2073	027B2073
9 Valve plate, teflon	1			
10 Cone incl. tap	1			
15 Locking ring	2			
16 Washer, nylon	2			
Strainer		027B2071	027B2071	027B2071
5 Strainer	1			
Orifice assembly		027B2080	027B2080	027B2080
6 Gasket	1			
7 Orifice dia. 1.0 mm	1			
8 O-ring	1			
9 Valve plate, nylon	1			
Orifice assembly		027B2081	027B2081	027B2081
6 Gasket	1			
7 Orifice dia. 1.5 mm	1			
8 O-ring	1			
9 Valve plate, nylon	1			
Orifice assembly		027B2082	027B2082	027B2082
6 Gasket	1			
7 Orifice dia. 2.0 mm	1			
8 O-ring	1			
9 Valve plate, nylon	1			
Orifice assembly		027B2083	027B2083	027B2083
6 Gasket	1			
7 Orifice dia. 2.5 mm	1			
8 O-ring	1			
9 Valve plate, nylon	1			
Orifice assembly		027B2084	027B2084	027B2084
6 Gasket	1			
7 Orifice dia. 2.8 mm	1			
8 O-ring	1			
9 Valve plate, nylon	1			
Orifice assembly		027B2085		
6 Gasket	1			
7 Orifice dia. 3.0 mm	1			
8 O-ring	1			
9 Valve plate, nylon	1			
Orifice assembly			027B2086	
6 Gasket	1			
7 Orifice dia. 3.5 mm	1			
8 O-ring	1			
9 Valve plate, nylon	1			
Orifice assembly				027B2087
6 Gasket	1			
7 Orifice dia. 4.0 mm	1			
8 O-ring	1			
9 Valve plate, nylon	1			



- 6 Gasket
- 7 Stop valve SNV 8
- 7a Gasket
- 8 O-ring for housing / end cover
- 9 Float ball (R 717)
- 10 Joint
- 11-12 Nut
- 14 O-ring
- 15 O-ring
- 16 Nozzle
- 18 Slide
- 19 Pin
- 20 Lock screw
- 23 Pin

		Size 100-150 (4 - 6 in.)		
		Type of nozzle (nominal capacity)		
		040	050	060
Description	Pos.	Code no.		
Repair kit, complete set of gaskets	6-7a-8-14-15	2453+094		
Spare part kit, nozzle and slide complete	14-16-18-19-20	2453+095	2453+096	2453+097
Complete renewal kit *	6-7a-8-9-10-11-12-14-15-16-18-19-20-23	2453+100	2453+101	2453+102
Air purge valve type SNV 8	7	See spare part for stop valves SNV 8		

* The float mechanism is assembled and adjusted from factory

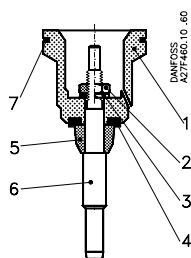


Fig. 1 Piston assembly

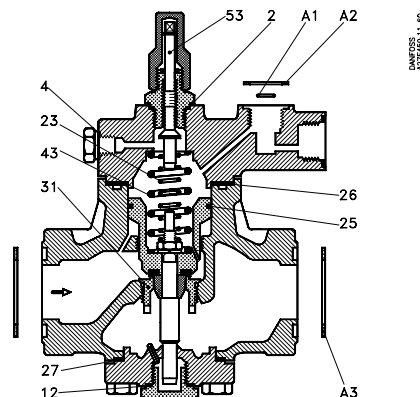


Fig. 2 PMFL

Description	Qty	Size 80-1	Size 80-2	Size 80-3	Size 80-4	Size 80-5
		Code no.	Code no.	Code no.	Code no.	Code no.
Piston assembly (fig. 1)		027F0238	027F0239	027F0240	027F0241	027F0242
1 Piston	1					
2 Nut	1					
3 Spring washer	1					
4 Valve plate	1					
5 Regulating cone	1					
6 Push rod	1					
7 Piston ring	1					
Valve plate (fig. 1)		027F0689	027F0689	027F0689	027F0690	027F0690
4 Valve plate	1					
Manual setting device (fig. 2)		027F2131	027F2131	027F2131	027F2131	027F2131
2 Alu gasket	1					
53 Setting device assy	1					
Piston ring (fig. 2)		027F0650	027F0650	027F0650	027F0650	027F0650
25 Piston ring	1					
Orifice (fig. 2)		027F0667	027F0667	027F0667	027F0668	027F0668
31 Orifice	1					
Spring set "STANDARD" (fig. 2)		027F0916	027F0916	027F0916	027F0916	027F0916
23 Spring	1					
43 Spring	1					
Spring set "WEAK" (fig. 2)		027F0123	027F0123	027F0123	027F0123	027F0123
23 Spring	1					
43 Spring	1					
Label	1					
Spring set "STRONG" (fig. 2)		027F0118	027F0118	027F0118	027F0118	027F0118
23 Spring	1					
43 Spring	1					
Label	1					
Seal kit (fig. 2)		027F0086	027F0086	027F0086	027F0086	027F0086
2 Alu gasket	1					
4 Alu gasket	1					
12 Gasket	1					
26 Gasket	1					
27 Gasket	1					
A1 O-ring	3					
A2 Gasket	3					
A3 Gasket	2					
Seal kit (fig. 2)		027F2170	027F2170	027F2170	027F2170	027F2170
26 Gasket	1					
27 Gasket	1					
Flange gaskets (fig. 2)		027F2175	027F2175	027F2175	027F2175	027F2175
A3 Gasket	2					

Flanges, bolts and nuts: See RX.00.A

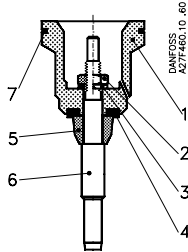


Fig. 1 Piston assembly

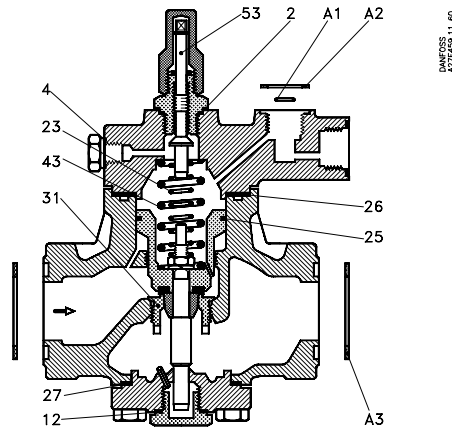


Fig. 2 PMFL

Description	Qty	Size 80-6	Size 80-7	Size 125	Size 200	Size 300
		Code no.	Code no.	Code no.	Code no.	Code no.
Piston assembly (fig. 1)		027F0243	027F0244	027F0245	027F0246	027F0247
1 Piston	1					
2 Nut	1					
3 Spring washer	1					
4 Valve plate	1					
5 Regulating cone	1					
6 Push rod	1					
7 Piston ring	1	1 pc.	1 pc.	1 pc.	2 pcs.	2 pcs.
Valve plate (fig. 1)		027F0690	027F0690	027F0691	027F0683	027F0684
4 Valve plate	1					
Manual setting device (fig. 2)		027F2131	027F2131	027F2132	027F2132	027F2133
2 Alu gasket	1					
53 Setting device assy	1					
Piston ring (fig. 2)		027F0650	027F0650	027F0651	027F0652	027F0653
25 Piston ring	1					
Orifice (fig. 2)		027F0668	027F0668	027F0679	027F0680	027F0681
31 Orifice	1					
Spring set "STANDARD" (fig. 2)		027F0916	027F0916	027F0917	027F0918	027F0919
23 Spring	1					
43 Spring	1					
Spring set "WEAK" (fig. 2)		027F0123	027F0123	027F0124	027F0125	027F0126
23 Spring	1					
43 Spring	1					
Label	1					
Spring set "STRONG" (fig. 2)		027F0118	027F0118	027F0119	027F0120	027F0121
23 Spring	1					
43 Spring	1					
Label	1					
Seal kit (fig. 2)		027F0086	027F0086	027F0087	027F0088	027F0089
2 Alu gasket	1					
4 Alu gasket	1					
12 Gasket	1					
26 Gasket	1					
27 Gasket	1					
A1 O-ring	3					
A2 Gasket	3					
A3 Gasket	2					
Seal kit (fig. 2)		027F2170	027F2170	027F2171	027F2172	027F2173
26 Gasket	1					
27 Gasket	1					
Flange gaskets (fig. 2)		027F2175	027F2175	027F2176	027F2177	027F2178
A3 Gasket	2					

Flanges, bolts and nuts: See RX.00.A

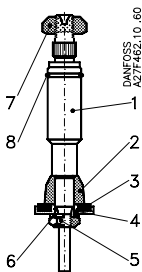


Fig. 1 Piston assembly

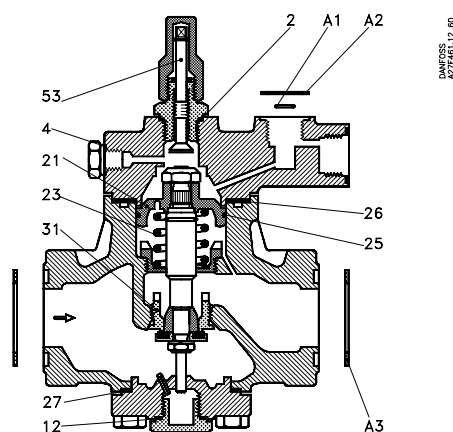


Fig. 2 PMFH

Description	Qty	Size 80-2	Size 80-3	Size 80-4	Size 80-5	Size 80-6
		Code no.	Code no.	Code no.	Code no.	Code no.
Push rod assembly (fig. 1)		027F0248	027F0249	027F0250	027F0251	027F0252
1 Push rod	1					
2 Regulating cone	1					
3 Valve plate	1					
4 Clamping plate	1					
5 Nut	1					
6 Spring washer	1					
7 Nut	1					
8 Locking ring	1					
Valve plate (fig. 1)		027F0690	027F0690	027F0690	027F0690	027F0690
3 Valve plate	1					
Manual operation device (fig. 2)		027F2130	027F2130	027F2130	027F2130	027F2130
2 Alu gasket	1					
53 Man. operation device	1					
Piston (fig. 2)		027F0395	027F0395	027F0395	027F0395	027F0395
21 Piston						
25 Piston ring	1					
Piston ring (fig. 2)		027F0650	027F0650	027F0650	027F0650	027F0650
25 Piston ring	1					
Orifice (fig. 2)		027F0668	027F0668	027F0668	027F0668	027F0668
31 Orifice	1					
Spring set "STANDARD" (fig. 2)		027F0911	027F0911	027F0911	027F0911	027F0911
23 Spring	1					
Spring set "WEAK" (fig. 2)		027F2190	027F2190	027F2190	027F2190	027F2190
23 Spring	1					
Label	1					
Seal kit (fig. 2)		027F0086	027F0086	027F0086	027F0086	027F0086
2 Alu gasket	1					
4 Alu gasket	1					
12 Gasket	1					
26 Gasket	1					
27 Gasket	1					
A1 O-ring	3					
A2 Gasket	3					
A3 Gasket	2					
Seal kit (fig. 2)		027F2170	027F2170	027F2170	027F2170	027F2170
26 Gasket	1					
27 Gasket	1					
Flange gaskets (fig. 2)		027F2175	027F2175	027F2175	027F2175	027F2175
A3 Gasket	2					

Flanges, bolts and nuts: See RX.00.A

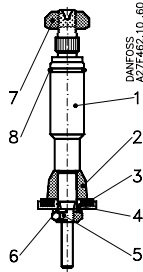


Fig. 1 Piston assembly

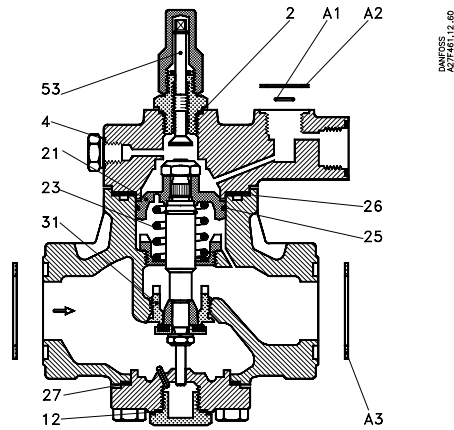
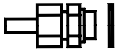






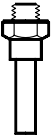
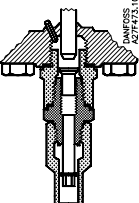
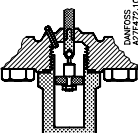
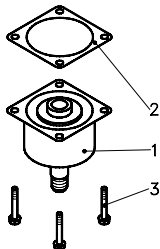
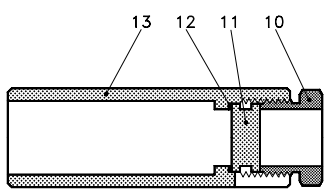
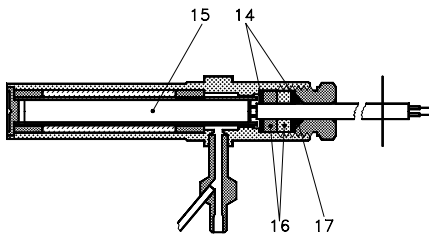





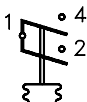
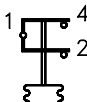

Fig. 2 PMFH

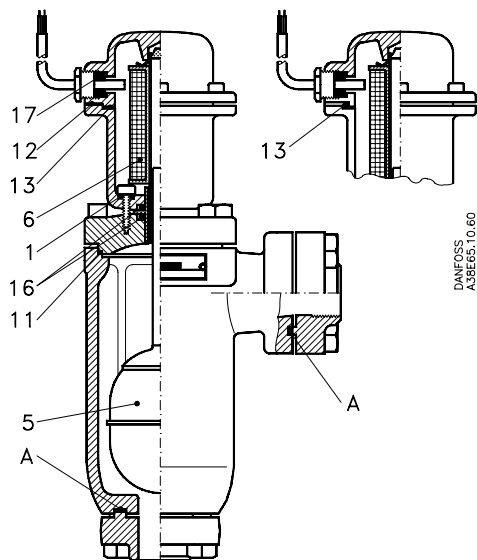
Description	Qty	Size 80-7	Size 125	Size 200	Size 300	Size 500
		Code no.	Code no.	Code no.	Code no.	Code no.
Push rod assembly (fig. 1)		027F0253	027F0254	027F0255	027F0256	027F0257
1 Push rod	1					
2 Regulating cone	1					
3 Valve plate	1					
4 Clamping plate	1					
5 Nut	1					
6 Spring washer	1					
7 Nut	1					
8 Locking ring	1					
Valve plate (fig. 1)		027F0690	027F0691	027F0683	027F0684	027F0685
3 Valve plate	1					
Manual operation device (fig. 2)		027F2130	027F2130	027F2130	027F2130	027F2130
2 Alu gasket	1					
53 Man. operation device	1					
Piston (fig. 2)		027F0395	027F0396	027F0397	027F0398	027F0399
21 Piston	1					
25 Piston ring	1					
Piston ring (fig. 2)		027F0650	027F0651	027F0652	027F0653	027F0654
25 Piston ring	1					
Orifice (fig. 2)		027F0668	027F0679	027F0680	027F0681	
31 Orifice	1					
Spring set "STANDARD" (fig. 2)		027F0911	027F0912	027F0913	027F0914	027F0915
23 Spring	1					
Spring set "WEAK" (fig. 2)		027F2190	027F2191	027F2192	027F2193	027F2194
23 Spring	1					
Label	1					
Seal kit (fig. 2)		027F0086	027F0087	027F0088	027F0089	027F0090
2 Alu gasket	1					
4 Alu gasket	1					
12 Gasket	1					
26 Gasket	1					
27 Gasket	1					
A1 O-ring	3					
A2 Gasket	3					
A3 Gasket	2					
Seal kit (fig. 2)		027F2170	027F2171	027F2172	027F2173	027F2174
26 Gasket	1					
27 Gasket	1					
Flange gaskets (fig. 2)		027F2175	027F2176	027F2177	027F2178	027F2179
A3 Gasket	2					

Flanges, bolts and nuts: See RX.00.A

	Description	Qty	Code no.
Accessories for PMFL and PMFH			
	Pilot connector , solder/weld ID 6.5 / OD 10 mm		027F0665
	Nipple assembly	1	
	Gasket	1	
	Seal kit for solder/weld pilot connector		027F1005
	Alu gasket	4	
	Gasket	4	
	Pilot connector , 3/8 in. flare		027F0115
	Nipple	1	
	Gasket	1	
	Pressure gauge connector , solder/weld		027B2035
	Nipple assembly	1	
	Alu gasket	1	
	Seal kit for solder/weld pressure gauge connector		027B2029
	Alu gasket	10	
	Alu gasket	10	
	Pressure connector , cutting ring connector (Ermeto)		
	6 mm	1	027B2063
	10 mm	1	027B2064
	Pressure gauge connector , 1/4 NPT	1	027B2062
	Pressure gauge connector , flare		027B2041
	(Must not be used in ammonia systems!)		
	Nipple	1	
	Schraeder valve	1	
	Cap	1	
	Alu gasket	1	
	Function indicator		027F0085
	Function indicator assembly	1	
	Protection cap	1	
	Gasket	1	
	Manual opening device , for PMFL only		027F0128
	Can be fitted instead of the bottom plug		
	Manual operation assembly	1	
	Nipple	1	
	Alu gasket	1	
	Gasket	1	
	Damping cylinder , for PMFH 80 to 500		027F2195
	Can be fitted instead of the bottom plug		
	Damping cylinder assembly	1	
	Gasket	1	

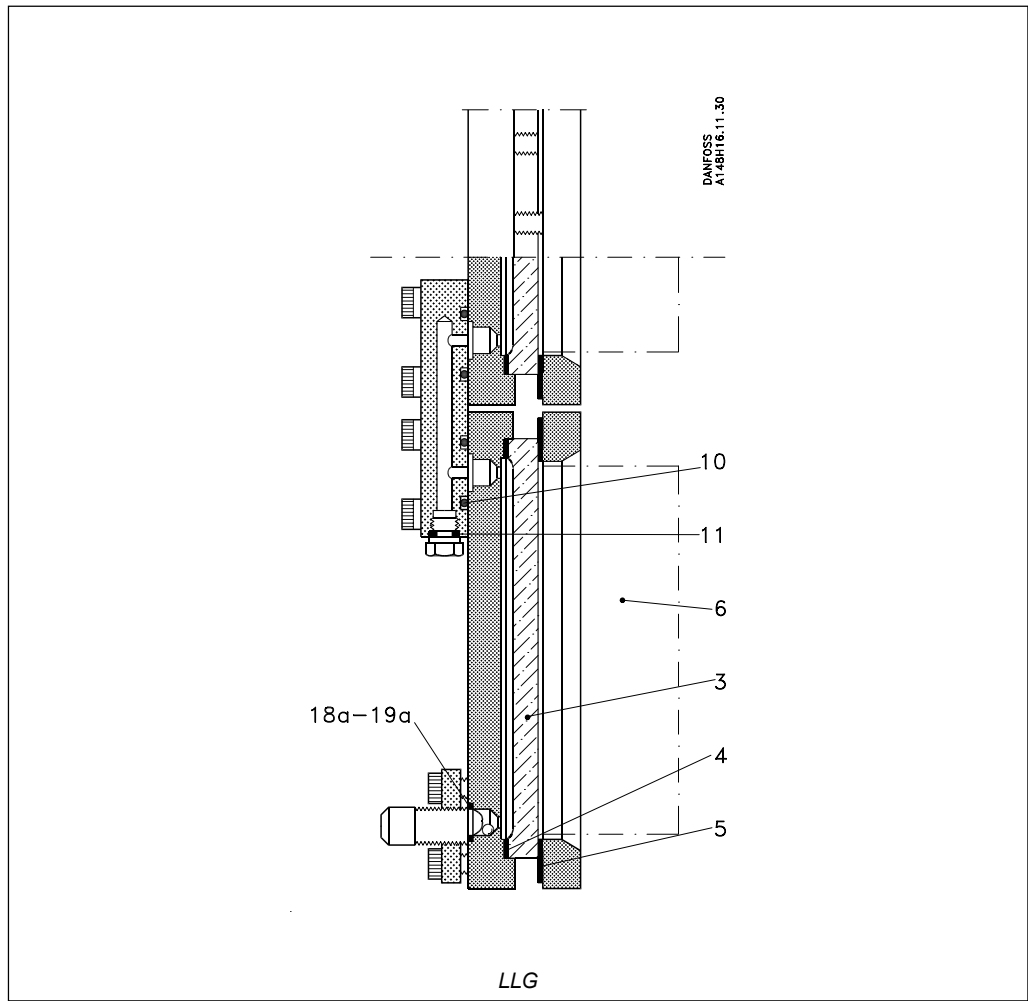
Description	Qty	Code no.
 <p>Bellows unit For RT 5 For RT 1A For RT 5A</p> <p>Pos.1 Bellows element 1 2 Rubber gasket 1 3 Screw, M4 x 25 4</p>		<p>017-4209 017-4207 017-4206</p>
<p>RT liquid level regulators / RT liquid level alarms</p>  <p>Weld bush for RT 280A / 281A</p> <p>Pos.10 Nut 1 11 Plug 1 12 Gasket 1 13 Bulb pocket 1</p>		<p>068G0026</p>
 <p>Electric heating element for RT 280A/ 281A 24 V 10 W a.c. or d.c.</p> <p>Pos.14 Washer 2 15 Heating element 1 16 Gasket 2 17 O-ring 1</p>		<p>068G0037</p>

Description	Qty	Code no.
<p>RT switches</p>  <p>Auto. Auto., gold-plated</p>	1 1	<p>017-4030 017-4240</p>
 <p>Max. reset Max. reset, gold-plated</p>	1 1	<p>017-4042 017-4048</p>
 <p>Min. reset Min. reset, gold-plated</p>	1 1	<p>017-4041 017-4047</p>
 <p>Two-circuit, when open cut out / cut in</p>	1	<p>017-4034</p>
 <p>Two-circuit, when open cut in / cut out</p>	1	<p>017-4036</p>
 <p>Non snap action</p>	1	<p>017-0181</p>



Description	Qty	Code no.
Repair kit		038E0081
Pos. 5 Float assembly	1	
11 Gasket	1	
A Gasket	2	
Coil kit		038E0202
Pos. 6 Coil assembly	1	
12 Gasket	1	
13 Rubber gasket	1	
13 O-ring	1	
Seal kit		038E0082
Pos. 1 Cu gasket	4	
11 Gasket	1	
12 Gasket	1	
13 Rubber gasket	1	
13 O-ring	1	
16 O-ring	2	
17 Gasket, Pg 11	1	
A Flange gasket	2	

- 3 Sight glass
- 4 Gasket for sight glass
- 5 Protective coating for sight glass
- 6 Sight adapter
- 10 O-ring for connecting piece for type 590, 995, 1145, 1550
- 11 Gasket for connecting piece for type 590, 995, 1145, 1550
- 18a Gasket for nipple for type LLG
- 19 Stop valve type SVA 6 T
- 19a Gaskets for stop valve and for stop valve's nipple



Description	Type	Pos.	Size						
			185 (7 ¹ / ₄ in.)	335 (13 ¹ / ₄ in.)	590 (23 ¹ / ₄ in.)	740 (29 ¹ / ₄ in.)	995 (39 ¹ / ₄ in.)	1145 (45 in.)	1550 (61 in.)
			Code no.						
Sight glass	all	3	148H3034	148H3035	148H3036	148H3037	148H3038	148H3039	148H3040
Sight adapter	LLG-F LLG-SF	6	148H3041	148H3042	148H3043	148H3044	148H3045	148H3046	148H3047
Repair kit, complete set of gaskets	all	4-5-10-11-18a-19a	2453+056	2453+057	2453+058	2453+059	2453+060	2453+061	2453+062
Stop valve type, SVA 6 T 123	LLG-S LLG-SF	19	See spare part for stop valves SVA 3-40 size "small"						

LLG and LLG-S for temperature: -10 / +100°C (+14 / +212°F)
 LLG-SF for temperature: -50 / +30°C (-58 / +86°F)

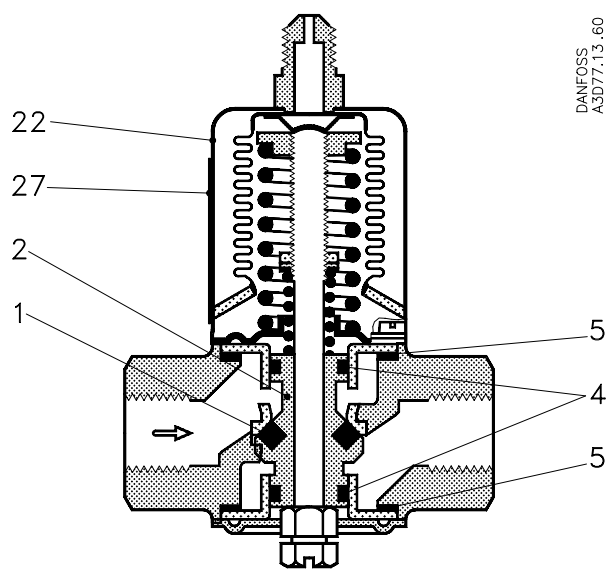


Fig. 1

DANFOSS
A3D77.13.60

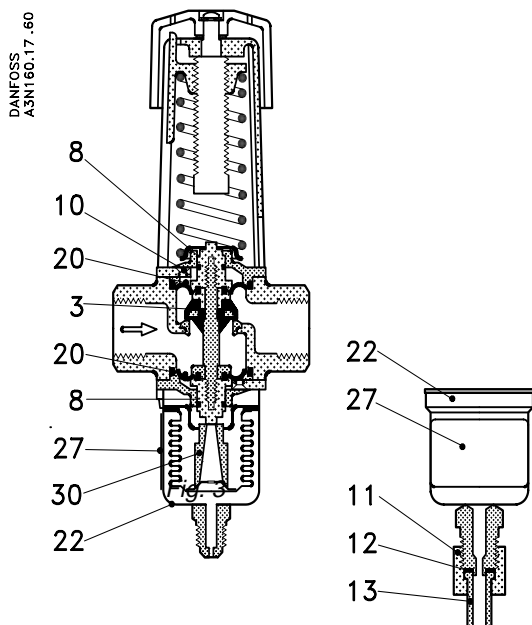
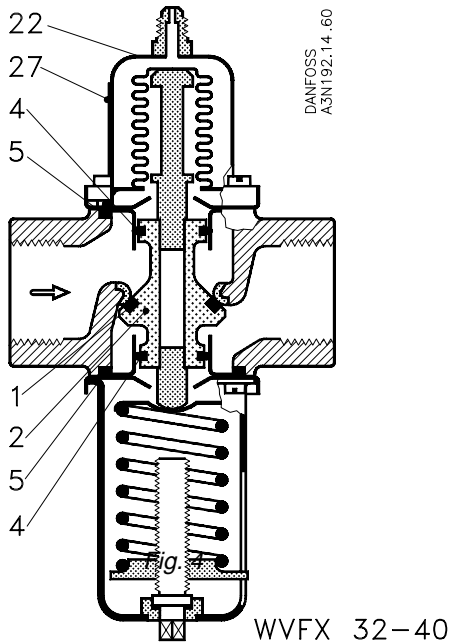


Fig. 2

DANFOSS
A3N160.17.60

Contents	Qty	Code no.
WVFM 10 and 16 Piston kit		003D0071
Fig. 1		
1 Piston seat ring	1	
2 Piston	1	
4 O-ring	2	
5 Rubber gasket	2	
Proba grease	1	
Seal kit		003D0072
Fig. 1		
5 Rubber gasket	2	
Bellows unit		003D0070
Fig. 1		
22 Bellows element	1	
27 Label	1	
WVFX 10 and 15 Valve disc kit		003N4006
Fig. 2		
3 Valve disc	1	
8 O-ring	2	
10 Screw	8	
20 Diaphragm	2	
Proba grease	1	
Key	1	
WVFX 20 Valve disc kit		003N4007
Fig. 2		
3 Valve disc	1	
8 O-ring	2	
10 Screw	8	
20 Diaphragm	2	
Proba grease	1	
Key	1	
WVFX 25 Valve disc kit		003N4008
Fig. 2		
3 Valve disc	1	
8 O-ring	2	
10 Screw	8	
20 Diaphragm	2	
Proba grease	1	
Key	1	
WVFX 10 - 25 Bellows unit including push pin		003N0070
Fig. 2		
22 Element	1	
27 Label 3.5 to 16 bar	1	
27 Label 4 to 23 bar	1	
30 Thrust spindle	1	
WVFX 10 - 25 Bellows unit for ammonia		003N0071
Fig. 2		
11 Union nut	1	
12 Alu gasket	1	
13 Welding connector	1	
22 Element	1	
27 Label	1	
30 Thrust spindle	1	
4 O-ring	2	



WVFX 32-40

Fig. 3

Contents	Qty	Code no.
WVFX 32 and 40 Bellows unit		003F0070
Fig. 3		
22 Element	1	
27 Label	1	
WVFX 32 and 40 Piston kit		003F0071
Fig. 3		
1 Sleeve	1	
2 Piston	1	
4 O-ring	2	
5 Rubber gasket	2	
Proba grease		
WVFX 32 and 40 Seal kit		003F0072
Fig. 3		
5 Rubber gasket	2	
4 O-ring	2	

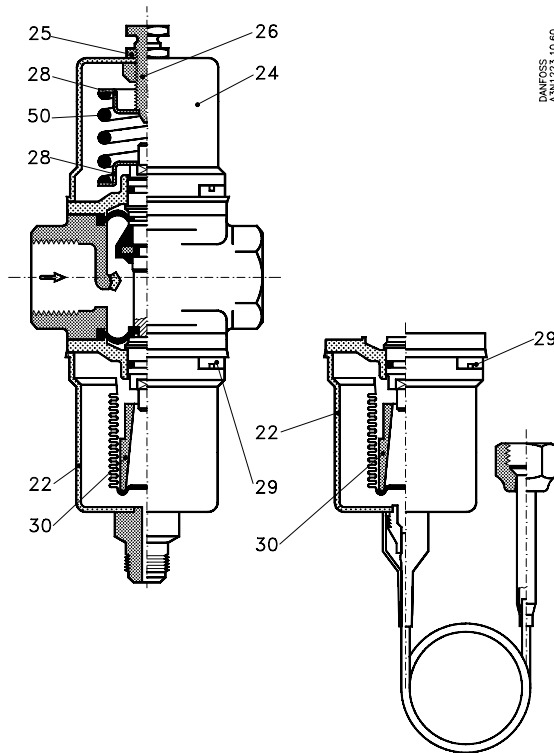


Fig. 4

Contents	Qty	Code no.
WVO, flare or capillary tube		
Bellows unit		
Fig 4		003N0268
24 Spring housing assy.	1	
25 Nut	1	
26 Adjusting spindle	1	
28 Spring retainer	2	
29 Screw	4	
WVO, flare		
Bellows unit		
Fig. 4		003N0128
22 Element	1	
29 Screw	4	
30 Thrust spindle	1	
WVO, capillary tube		
Bellows unit		
Fig. 4		003N0129
22 Element	1	
29 Screw	4	
30 Thrust spindle	1	
WVO		
Springs		
Fig. 4		
50 Spring for WVO 4 to 8 bar		003N0140
50 Spring for WVO 6 to 10 bar		003N0141
50 Spring for WVO 8 to 12 bar		003N0142
50 Spring for WVO 10 to 14 bar		003N0143
50 Spring for WVO 12 to 16 bar		003N0144
50 Spring for WVO 14 to 18 bar		003N0145
50 Spring for WVO 16 to 20 bar		003N0146
50 Spring for WVO 18 to 22 bar		003N0147

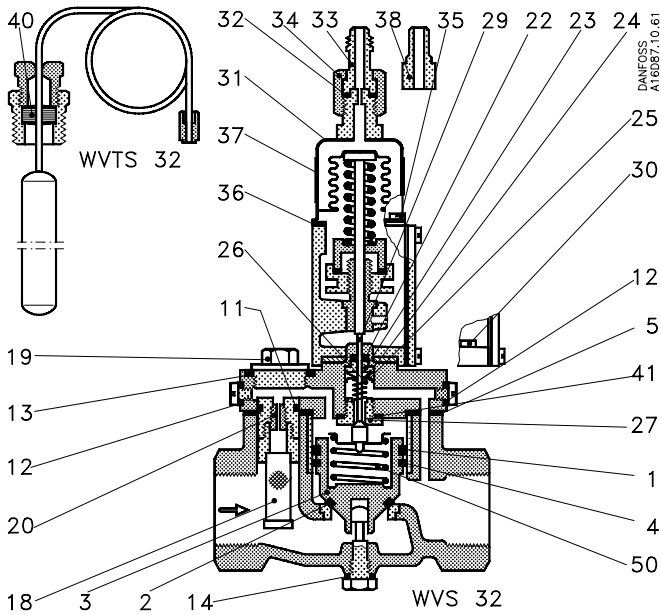


Fig. 5

Contents	Qty	Code no.
WVS 32		
Piston kit		016D0065
Fig. 5		
1 Sleeve	1	
2 Piston seat ring	1	
3 Piston	1	
4 Piston ring	1	
5 Gasket	1	
Proba grease	1	
Filter kit		016D0090
Fig. 5		
11 O-ring	1	
13 Gasket	1	
18 Filter assembly	1	
Proba grease	1	
Filter holder kit		016D0094
Fig. 5		
11 O-ring	1	
13 Gasket	1	
19 Filter holder	1	
20 Orifice	1	
Pilot kit		016D0100
Fig. 5		
15 Rubber gasket (for WVS 40 - 100, fig. 6)	1	
16 O-ring (for WVS 40 - 100, fig. 6)	1	
22 O-ring	1	
23 Bushing	1	
24 Sleeve	2	
25 Spring retainer	1	
26 Spring	1	
27 Pilot plate	1	
28 Insert (for WVS 40 - 100, fig. 6)	1	
29 Pilot cone assembly	1	
30 Screw	2	
41 Gasket	1	
Seal kit		016D0081
Fig. 5		
5 Gasket	1	
11 O-ring	1	
12 Seal ring	2	
13 Gasket	1	
14 Gasket	1	
41 Gasket	1	
Proba grease	1	
Spring		016D1327
Fig. 5		
50 Spring 0 - 10 bar		

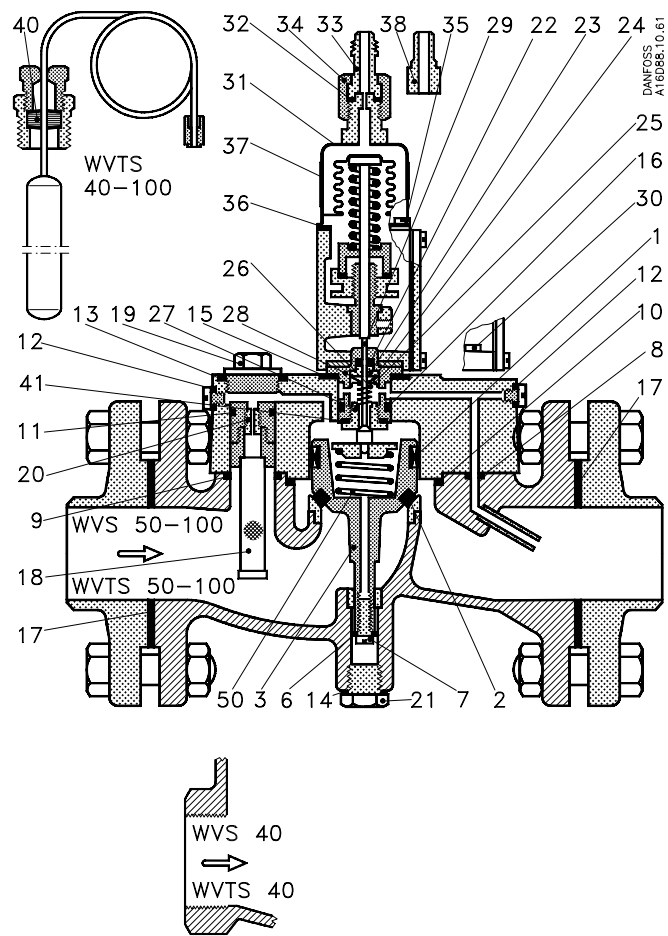


Fig. 6. WVS / WVTS 40 - 100

WVS / WVTS		Size 40	Size 50	Size 65	Size 80	Size 100
Contents	Qty	Code no.	Code no.	Code no.	Code no.	Code no.
Piston kit		016D0060	016D0061	016D0062	016D0063	016D0064
Fig. 6						
1 Sleeve	1					
2 Piston seat ring	1					
3 Piston	1					
6 Cu gasket	1					
7 Screw	1					
8 O-ring	1					
9 O-ring	1					
10 O-ring	1					
Proba grease	1					
Filter kit		016D0091	016D0091	016D0092	016D0093	016D0093
Fig. 6						
11 O-ring	1					
13 Gasket	1					
18 Filter assembly	1					
Proba grease	1					
Filter holder kit		016D0094	016D0094	016D0094	016D0094	016D0094
Fig. 6						
11 O-ring	1					
13 Gasket	1					
19 Filter holder	1					
20 Orifice	1					

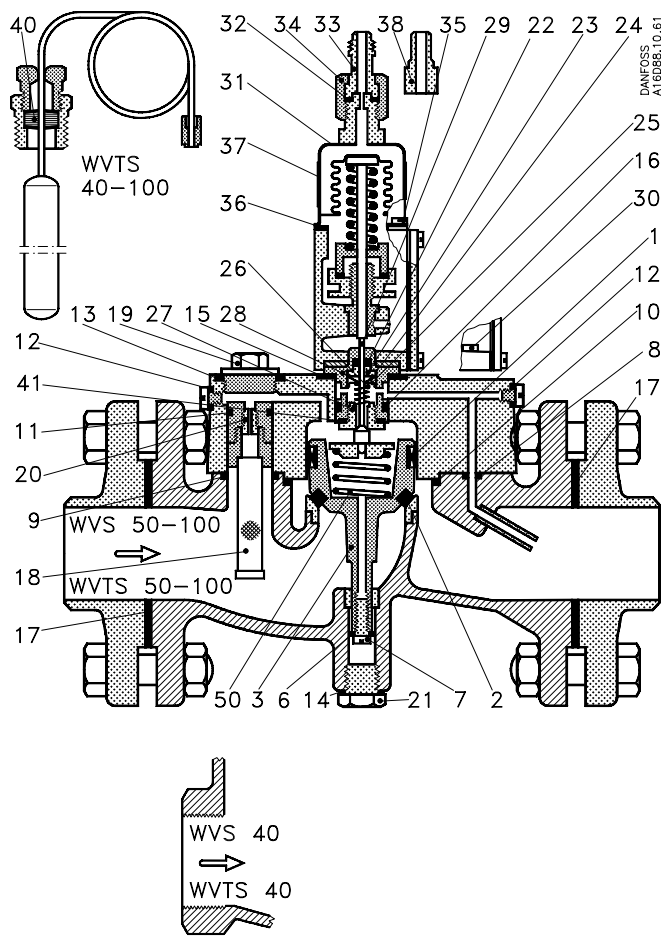


Fig. 6. WVS / WVTS 40 - 100

WVS / WVTS		Size 40	Size 50	Size 65	Size 80	Size 100
Contents	Qty	Code no.	Code no.	Code no.	Code no.	Code no.
Bottom plug Fig. 6		016D0087	016D0087	016D0087	016D0087	016D0087
14 Gasket	1					
21 Plug	1					
Pilot kit Fig. 6		016D0100	016D0100	016D0100	016D0100	016D0100
15 Rubber gasket	1					
16 O-ring	1					
22 O-ring	1					
23 Bushing	1					
24 Sleeve	2					
25 Spring retainer	1					
26 Spring	1					
27 Pilot plate	1					
28 Insert	1					
29 Pilot cone assembly	1					
30 Screw	2					
41 Gasket	1					
Spring Fig. 6		016D0575	016D0576	016D0577	016D0578	016D0579
50 Spring 0-10 bar						

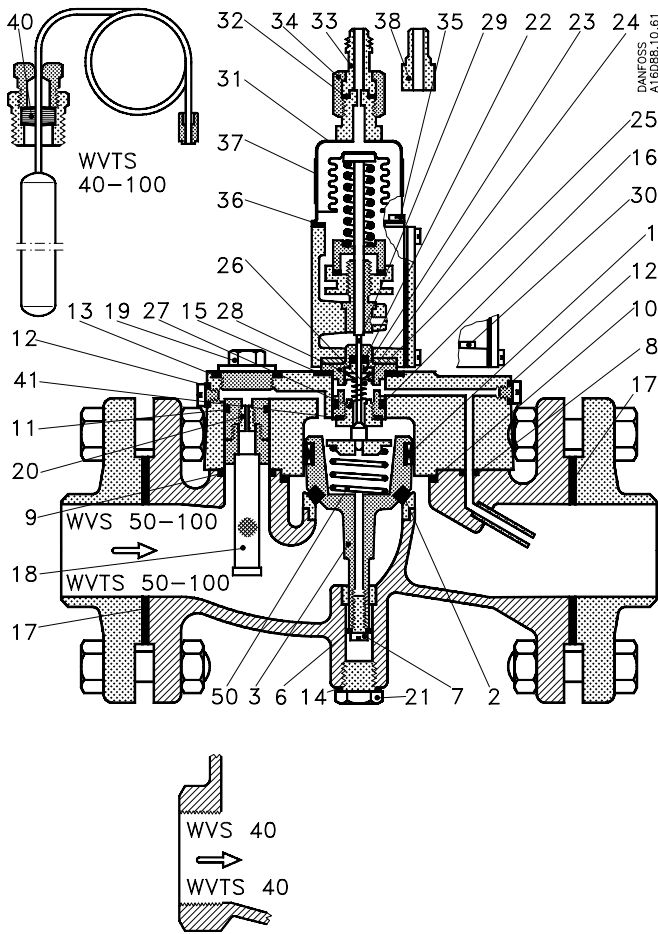


Fig. 6. WVS / WVTS 40 - 100

Contents	Qty	Code no.
Seal kit for WVS/WVTS 40		016D0082
Fig. 6		
8 O-ring	1	
9 O-ring	1	
10 O-ring	1	
11 O-ring	1	
12 Seal ring	2	
13 Gasket	1	
14 Gasket	1	
15 Rubber gasket	1	
16 O-ring	1	
Proba grease	1	
Seal kit for WVS/WVTS 50		016D0083
Fig. 6		
8 O-ring	1	
9 O-ring	1	
10 O-ring	1	
11 O-ring	1	
12 Seal ring	2	
13 Gasket	1	
14 Gasket	1	
15 Rubber gasket	1	
16 O-ring	1	
17 Gasket	2	
Proba grease	1	
Seal kit for WVS/WVTS 65		016D0084
Fig. 6		
8 O-ring	1	
9 O-ring	1	
10 O-ring	1	
11 O-ring	1	
12 Seal ring	2	
13 Gasket	1	
14 Gasket	1	
15 Rubber gasket	1	
16 O-ring	1	
17 Gasket	2	
Proba grease	1	
Seal kit for WVS/WVTS 80		016D0085
Fig. 6		
8 O-ring	1	
9 O-ring	1	
10 O-ring	1	
11 O-ring	1	
12 Seal ring	2	
13 Gasket	1	
14 Gasket	1	
15 Rubber gasket	1	
16 O-ring	1	
17 Gasket	2	
Proba grease	1	
Seal kit for WVS/WVTS 100		016D0086
Fig. 6		
8 O-ring	1	
9 O-ring	1	
10 O-ring	1	
11 O-ring	1	
12 Seal ring	2	
13 Gasket	1	
14 Gasket	1	
15 Rubber gasket	1	
16 O-ring	1	
17 Gasket	2	
Proba grease	1	

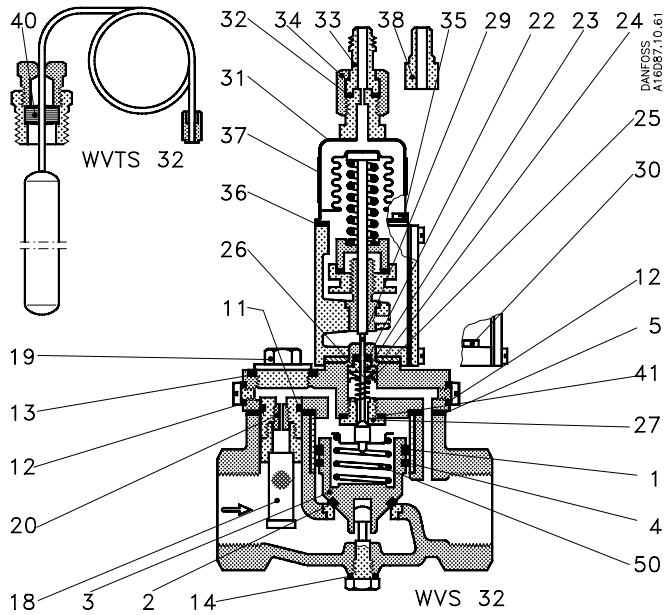


Fig. 7. WVS 32

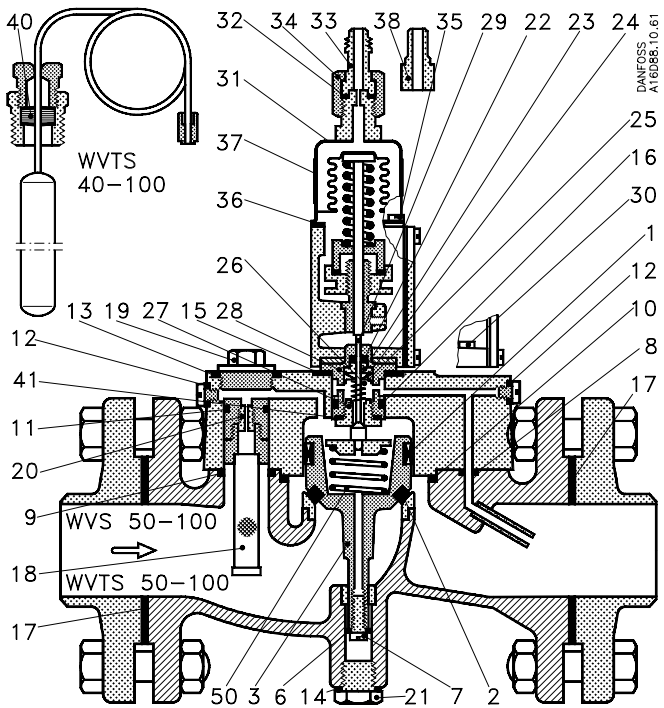
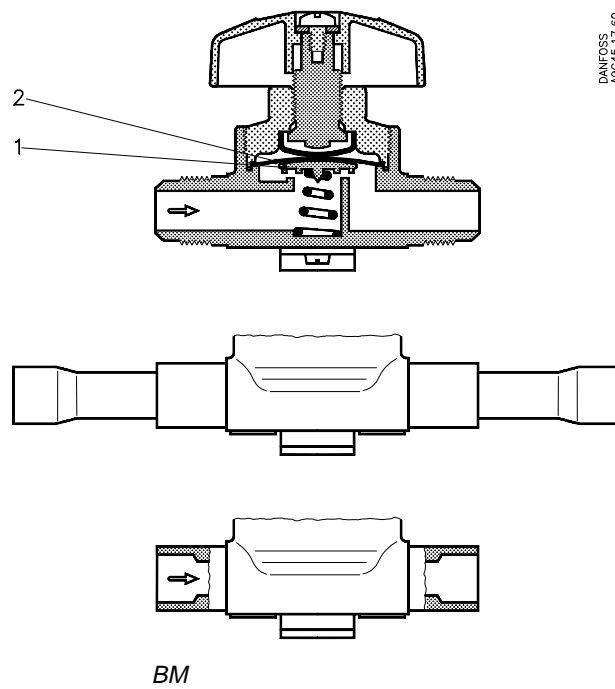
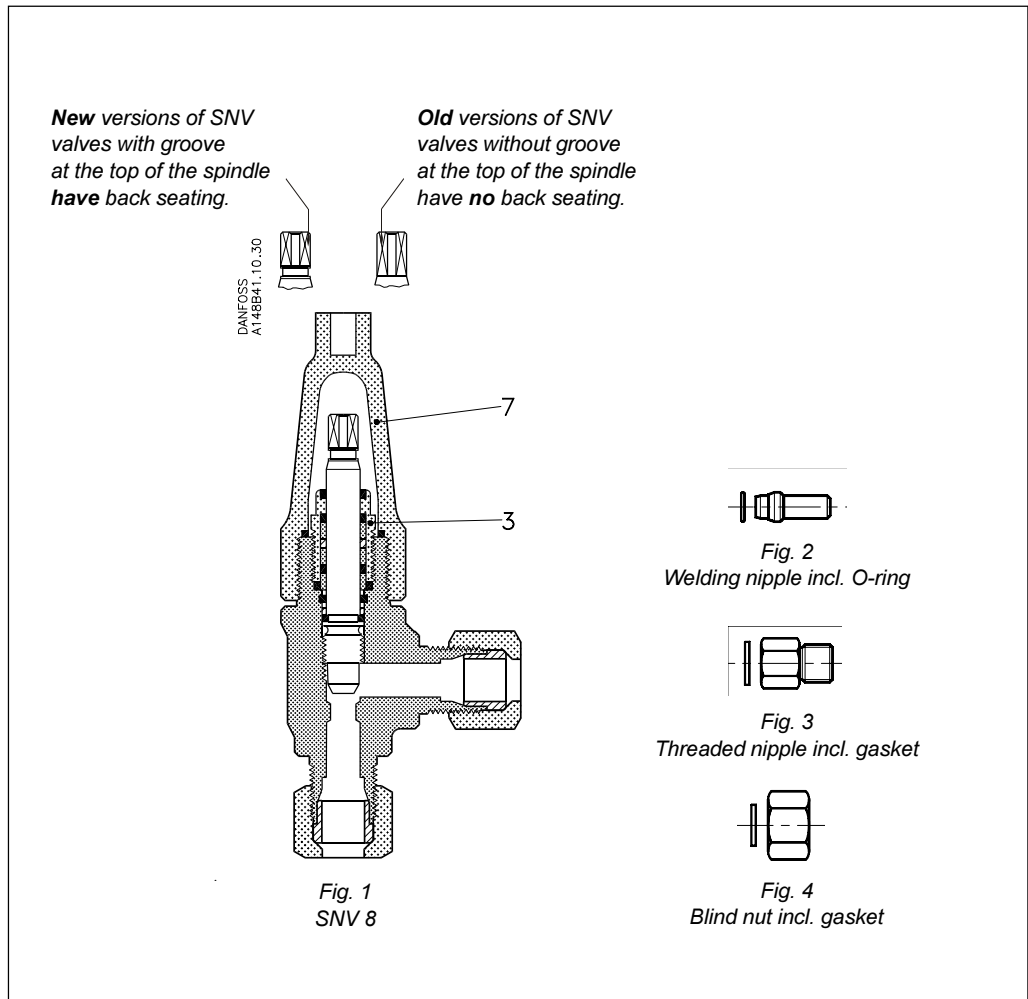


Fig. 8. WVS 40 - 100

Contents	Qty	Code no.
WVS 32 - 100		
Element 2.2-19 bar		
Figs. 7 and 8		
31 Element	1	016D1040
32 Alu-gasket	1	
33 Connector	1	
34 Union nut	1	
35 Screw	4	
36 Rubber gasket	1	
37 Label	1	
38 Welding connector	1	
Element 0-30°C, 2 m cap. tube		
Figs. 7 and 8		
31 Element	1	016D1043
35 Screw	4	
36 Rubber gasket	1	
37 Label	1	
40 Rubber gasket	1	
Element 0-30°C, 5 m cap. tube		
Figs. 7 and 8		
31 Element	1	016D1047
35 Screw	4	
36 Rubber gasket	1	
37 Label	1	
40 Rubber gasket	1	
Element 25-65°C, 2 m cap. tube		
Figs. 7 and 8		
31 Element	1	016D1044
35 Screw	4	
36 Rubber gasket	1	
37 Label	1	
40 Rubber gasket	1	
Element 25-65°C, 5 m cap. tube		
Figs. 7 and 8		
31 Element	1	016D1048
35 Screw	4	
36 Rubber gasket	1	
37 Label	1	
40 Rubber gasket	1	
Element 50-90°C, 2 m cap. tube		
Figs. 7 and 8		
31 Element	1	016D1046
35 Screw	4	
36 Rubber gasket	1	
37 Label	1	
40 Rubber gasket	1	
Element 50-90°C, 5 m cap. tube		
Figs. 7 and 8		
31 Element	1	016D1049
35 Screw	4	
36 Rubber gasket	1	
37 Label	1	
40 Rubber gasket	1	



Description	Qty	Code no.	Code no.	Code no.	Code no.	Code no.
BM shut-off valves		BM 6	BM 10	BM 12	BM 16	BM 18/20
Service kit		009G0025	009G0026	009G0027	009G0028	009G0029
Pos. 1 Diaphragm assembly	1					
2 Diaphragm	2					



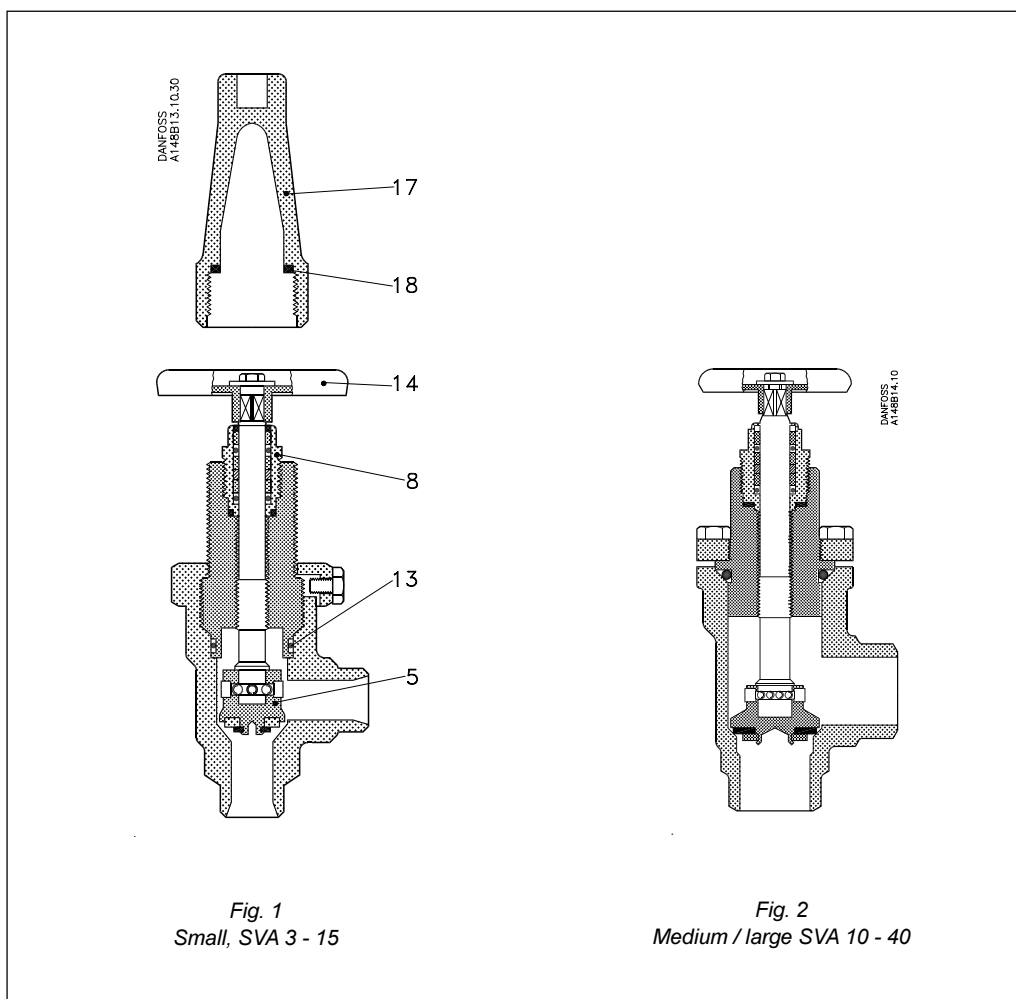
- 3 Packing gland incl. gaskets
- 7 Cap incl. gasket

			Size
			8 (5/16 in.)
Description	Type	Pos.	Code no.
Packing gland incl. gaskets* (with O-rings)	all	3	148B4072
Cap incl. gasket	-	7	148B4074
Grease for packing gland (tube)	-	-	2452+143

*) Note: If further parts are necessary - renew the complete valve

Accessories

Description	Type	Fig.	Code no.
Welding nipple incl. O-ring	CD-WN-TN-T	Fig. 2	2469+008
Threaded nipple incl. gasket	CD-WN-TN-T	Fig. 3	2469+022
Blind nut incl. gasket	NPT	Fig. 4	2469+056



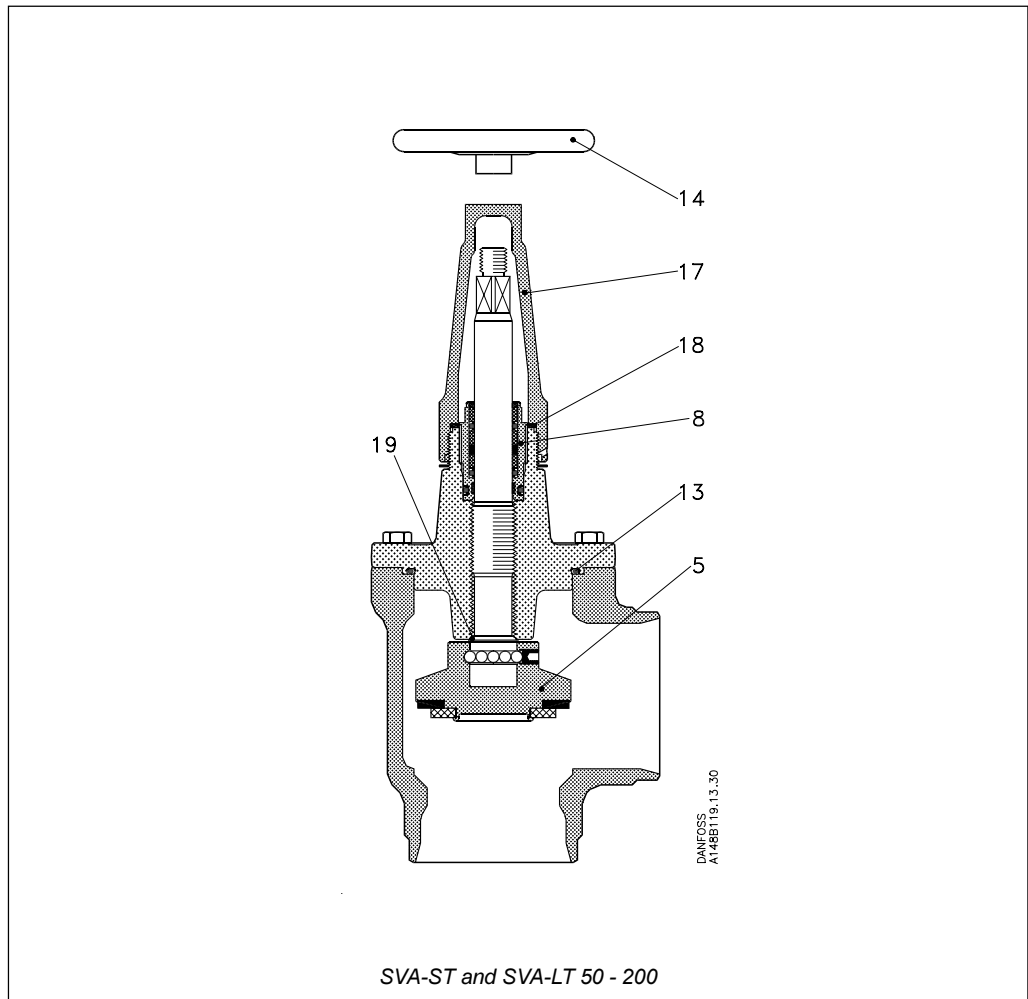
- 5 Cone complete incl. steel balls and Allen screw
- 8 Packing gland incl. gaskets
- 13 O-ring for housing / bonnet
- 14 Handwheel incl. nut and washer
- 17 Cap incl. gasket
- 18 Gasket for cap

Fig. 1
Small, SVA 3 - 15

Fig. 2
Medium / large SVA 10 - 40

Description	Type	Pos.	Size		
			Small	Medium	Large
			3 - 10 (1/8 - 3/8 in.)	15 - 20 (1/2 - 3/4 in.)	25 - 40 (1 - 1 1/2 in.)
			Code no.		
Spare part kit, cone	all	5-13 and Allen key	148B4069	148B4052	148B4000
Spare part kit, for bonnet and cap (Dismounting set)	all	13-18	148B4070	148B4053	148B4008
Repair kit, complete set of gaskets	ST	5-8-13-18 and Allen key	148B4071	148B4054	148B4016
	LT	5-8-13-18 and Allen key	-	148B4055	148B4024
Packing gland incl. gaskets (with O-rings)	ST	8	148B4072	148B4056	148B4032
Packing gland incl. gaskets (with teflon sealing and O-ring)	LT	8	-	148B4057	148B4037
Handwheel incl. screw and washer	-	14	148B4073	148B4060	148B4062
Cap incl. gasket	-	17	148B4074	148B4075	148B4076
Grease for packing gland (tube)	-	-	2452+143		

SVA-ST: Standard -50 / +150°C (-58 / +302°F)
 SVA-LT: Low temperature -60 / +150°C (-76 / +302°F)

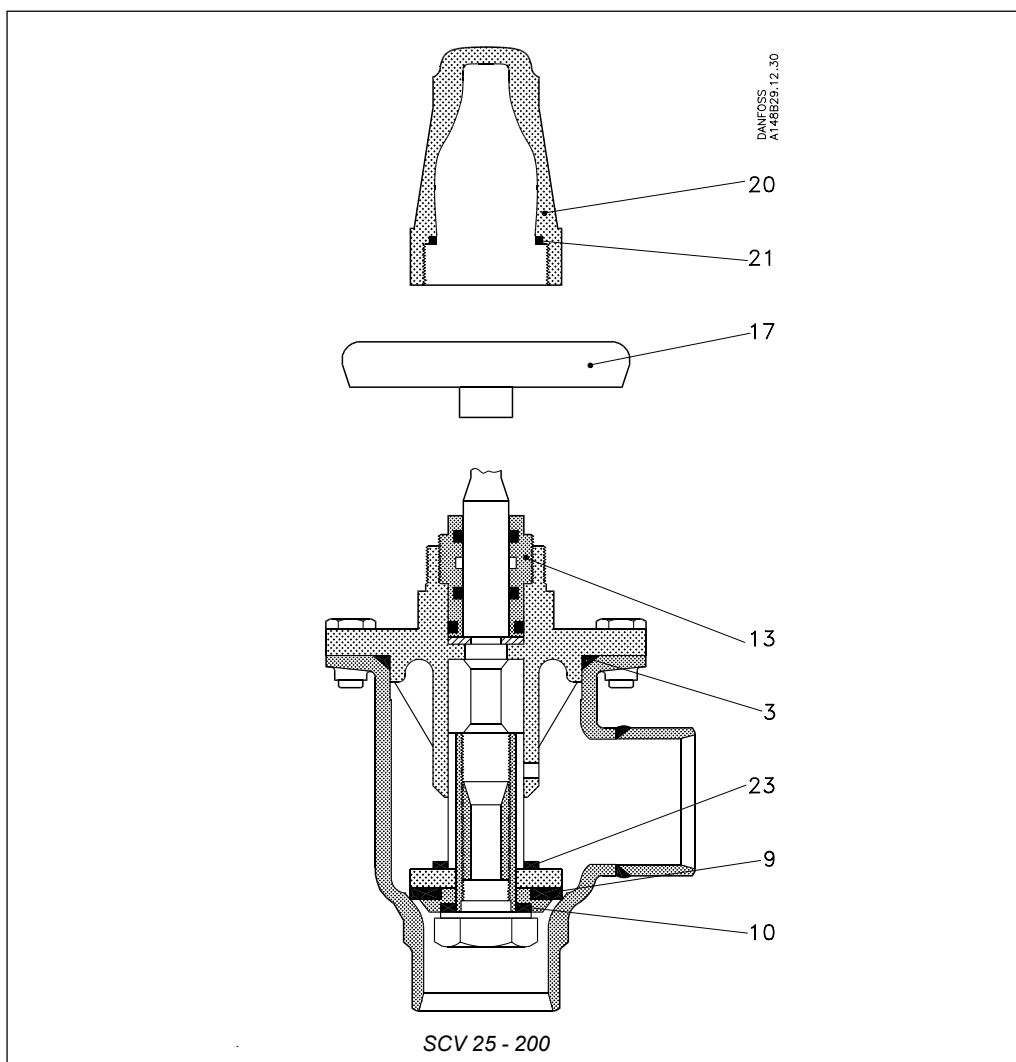


- 5 Cone complete incl. steel balls and Allen screw
- 8 Packing gland incl. gaskets
- 13 O-ring for housing / bonnet
- 14 Handwheel incl nut and washer
- 17 Cap incl. gasket
- 18 Gasket for cap
- 19 Back sealing (only for size 80 - 200)

SVA-ST and SVA-LT 50 - 200

Description	Type	Pos.	Size						
			50 (2 in.)	65 (2 1/2 in.)	80 (3 in.)	100 (4 in.)	125 (5 in.)	150 (6 in.)	200 (8 in.)
Spare part kit, cone	all	5-13 and Allen key	148B4001	148B4002	148B4003	148B4004	148B4005	148B4006	148B4007
Spare part kit, for bonnet and cap (Dismounting set)	all	13-18-19	148B4009	148B4010	148B4011	148B4012	148B4013	148B4014	148B4015
Repair kit, complete set of gaskets	ST	5-8-13-18-19 and Allen key	148B4017	148B4018	148B4019	148B4020	148B4021	148B4022	148B4023
	LT	5-8-13-18-19 and Allen key	148B4025	148B4026	148B4027	148B4028	148B4029	148B4030	
Packing gland incl. gaskets (with O-rings)	ST	8	148B4033		148B4034		148B4035		148B4036
Packing gland incl. gaskets (with teflon sealing and O-ring)	LT	8	148B4038		148B4039		148B4040		
Handwheel incl. nut and washer	-	14	148B4064		148B4065	148B4066	148B4067		148B4068
Cap incl. gasket	-	17	148B4076		148B4077		148B4078		148B4079
Grease for packing gland (tube)	-	-	2452+143						

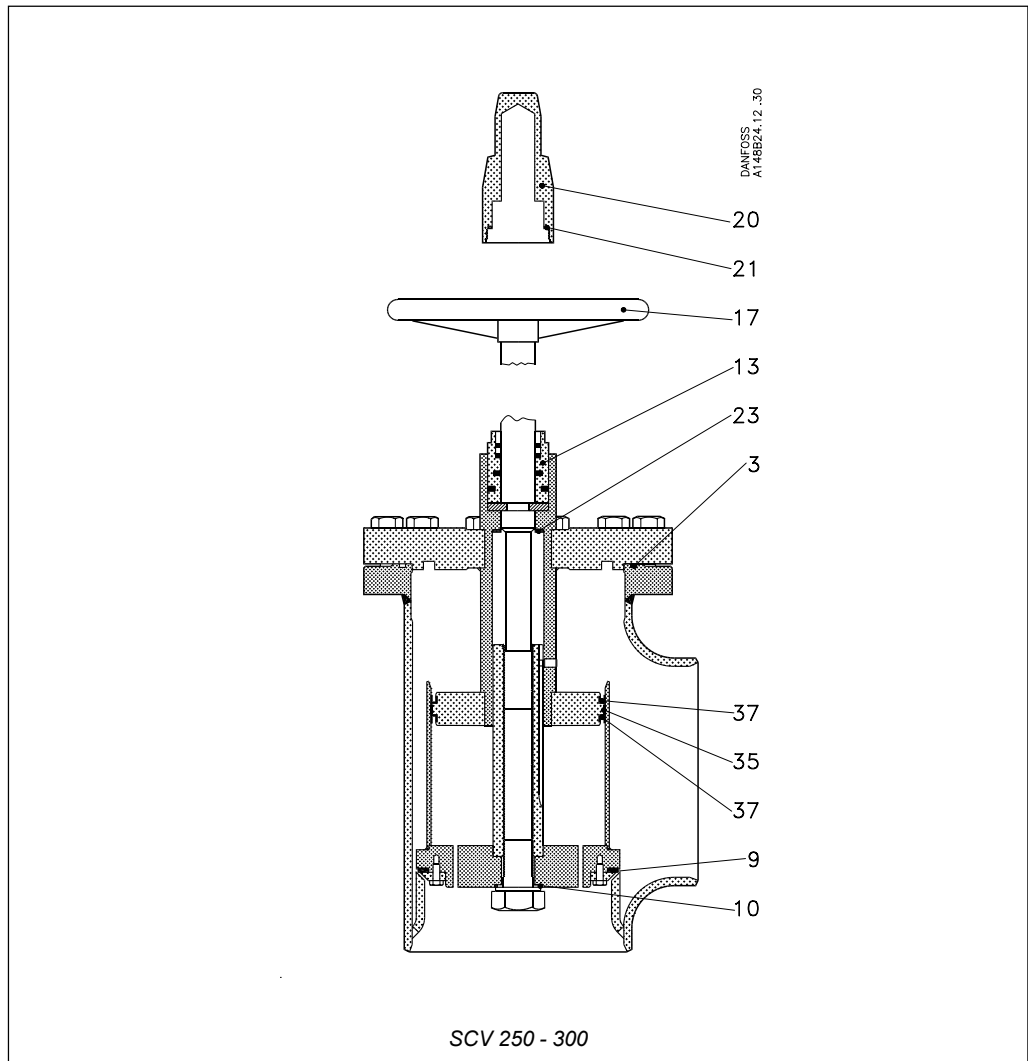
SVA-ST: Standard -50 / +150°C (-58 / +302°F)
 SVA-LT: Low temperature -60 / +150°C (-76 / +302°F)



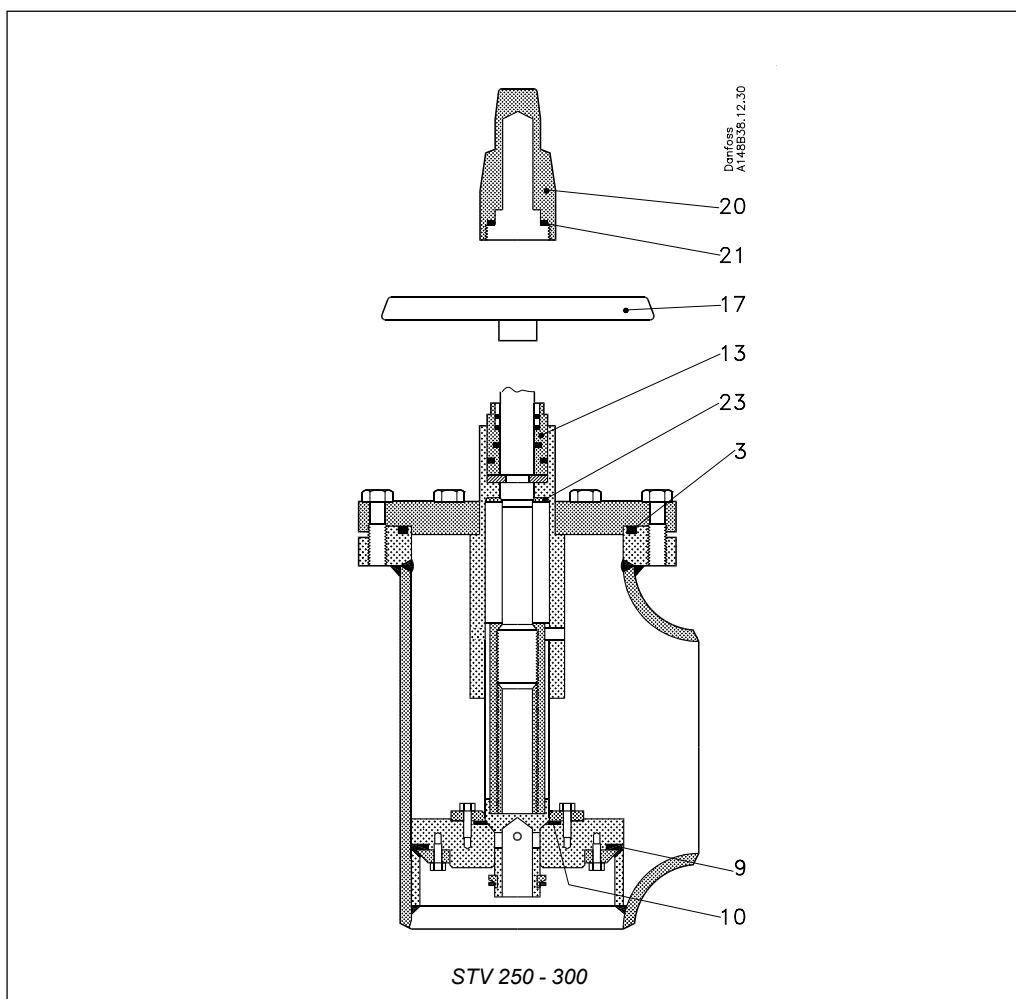
- 3 O-ring / gasket (only for size 125) for housing / bonnet
- 9 Gasket for cone
- 10 Gasket for cone
- 13 Packing gland incl. gaskets
- 13a Gaskets complete for packing gland
- 17 Handwheel incl. screw and washer
- 20 Cap incl. gasket
- 21 Gasket for cap
- 23 Back sealing

Description	Type	Pos.	Size						
			Old type						
			25 - 32 (1 - 1 1/4)	40 - 50 (1 1/2 - 2 in.)	65 - 80 (2 1/2 - 3 in.)	100 (4 in.)	125 (5 in.)	150 (6 in.)	200 (8 in.)
			Code no.						
Spare part kit, for bonnet and cap (Dismounting set)	all	3-21	148B4080	148B4081	148B4082	148B4083	148B4084	148B4085	
Repair kit, complete set of gaskets	all	3-9-10-13a-21-23	3184+076	3184+077	3184+078	3184+079	3184+080	3184+081	
Packing gland incl. gaskets (with O-rings)	all	13	148B4086	148B4087	148B4088			148B4089	
Packing gland incl. gaskets (with teflon sealing and O-ring)	Extra equipment	13	148B4090	148B4091	148B4092			148B4093	
Handwheel incl. screw and washer	-	17	148B4064	148B4095	148B4096	148B4065		148B4067	
Cap incl. gasket	-	20	148B4099	148B4100	148B4101			148B4102	
Grease for packing gland (tube)	-	-	2452+143						

- 3 O-ring for housing / bonnet
- 9 Gasket for cone
- 10 Gasket for cone
- 13 Packing gland incl. gaskets
- 17 Handwheel incl. screw and washer
- 20 Cap incl. gasket
- 21 Gasket for cap
- 23 Back sealing
- 35 Tape bearing for cone
- 37 Sealing ring for cone

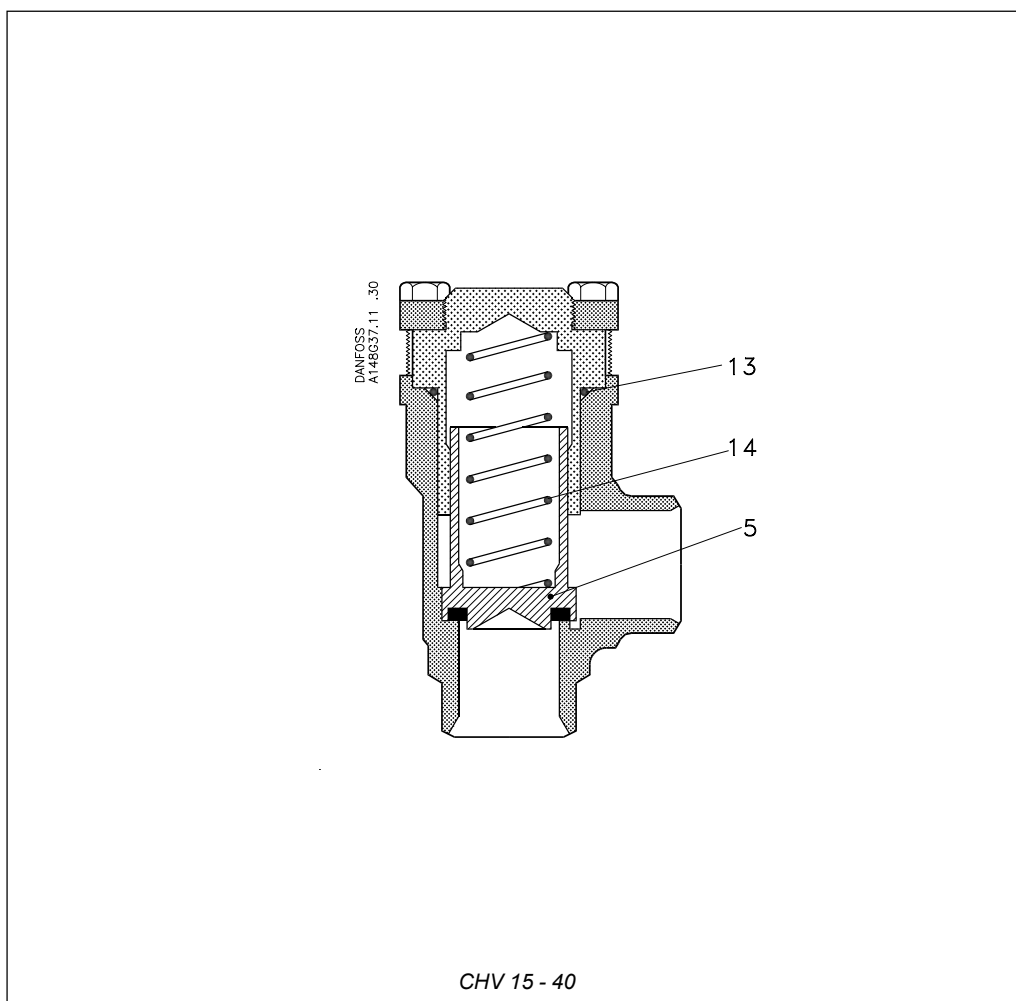


Description	Type	Pos.	Size	
			250 (10 in.)	300 (12 in.)
			Code no.	
Spare part kit, for bonnet and cap (Dismounting set)	all	3-21	148B4103	148B4104
Repair kit, complete set of gaskets	all	3-9-10-13-21- 23-35-37	3184+108	3184+109
Packing gland incl. gaskets (with teflon sealing and O-ring)	all	13	148B4105	
Handwheel incl. screw and washer	-	17	148B4068	
Cap incl. gasket	-	20	148B4107	
Grease for packing gland (tube)	-	-	2452+143	



- 3 O-ring for housing / bonnet
- 9 Gasket for cone
- 10 Gasket for cone
- 13 Packing gland incl. gasket
- 17 Handwheel incl. screw and washer
- 20 Cap incl. gasket
- 21 Gasket for cap
- 23 Back sealing

Description	Type	Pos.	Size	
			250 (10 in.)	300 (12 in.)
			Code no.	
Spare part kit, for bonnet and cap (Dismounting set)	all	3-21	148B4103	148B4104
Repair kit, complete set of gaskets	all	3-9-10-13-21-23	2453+045	2453+046
Packing gland incl. gaskets (with teflon sealing and O-ring)	all	13	148B4105	
Handwheel incl. screw and washer	-	17	148B4068	
Cap incl. gasket	-	20	148B4107	
Grease for packing gland (tube)	-	-	2452+143	

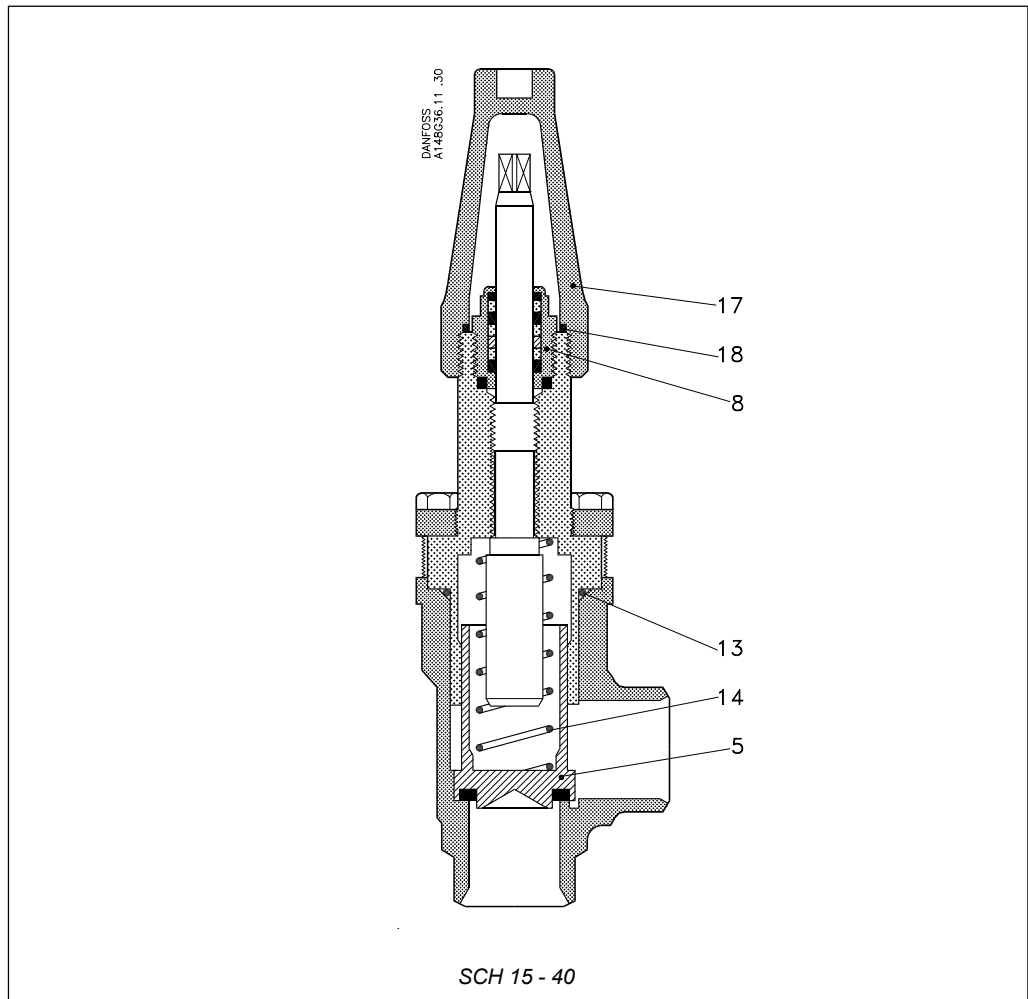


- 5 Cone complete
- 13 O-ring for housing / bonnet
- 14 Spring

Description	Type	Pos.	Size	
			15 - 20 (1/2 - 3/4 in.)	25 - 32 - 40 (1 - 1 1/4 - 1 1/2 in.)
			Code no.	
Repair kit, complete set of gaskets	all	5-13	2453+079	2453+080
Spring - standard (Δp=0.04 bar)	XX1	14	148G3204	148G3205
Spring - special (Δp=0.3 bar)	XX2	14	148G3206	148G3207

0.05 bar g = 0.58 psi g
 0.3 bar g = 4.35 psi g

Note: Type XX1 and XX2, produced from 1994

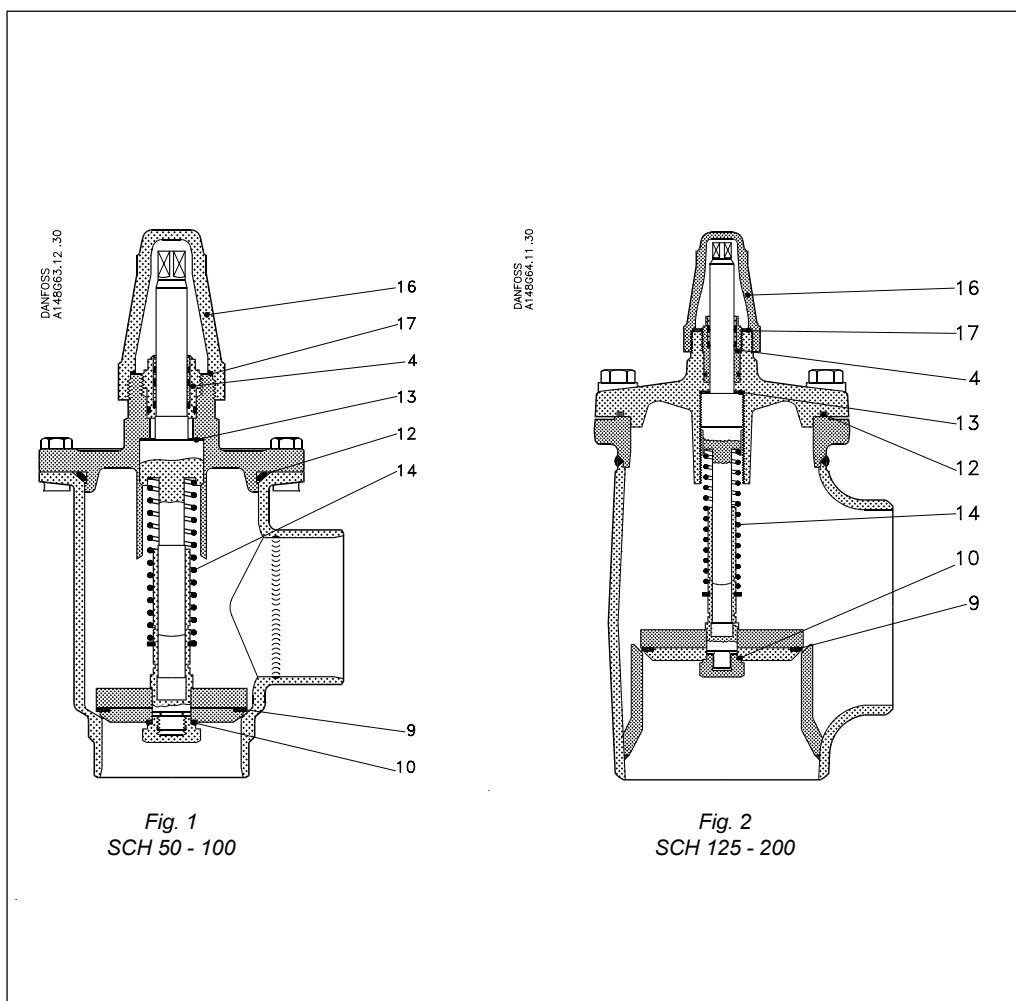


- 5 Cone complete
- 8 Packing gland incl. gaskets
- 8a Gaskets complete for packing gland
- 13 O-ring for housing / bonnet
- 14 Spring
- 17 Cap incl. gasket
- 18 Gasket for cap

Description	Type	Pos.	Size	
			15 - 20 (1/2 - 3/4 in.)	25 - 32 - 40 (1 - 1 1/4 - 1 1/2 in.)
			Code no.	
Spare part kit, Cone	all	5-13	148G3200	148G3201
Spare part kit, for bonnet and cap (dismounting set)	all	13-18	148G3202	148G3203
Repair kit, complete set of gaskets	all	5-8a-13-18	2453+077	2453+078
Packing gland incl. gaskets (with O-rings)	all	8	148B4056	148B4032
Spring - standard (Δp=0.04 bar)	XX1	14	148G3204	148G3205
Spring - special (Δp=0.3 bar)	XX2	14	148G3206	148G3207
Cap incl. gasket	-	17	148B4075	148B4076
Grease for packing gland (tube)	-	-	2452+143	

0.04 bar g = 0.58 psi g
 0.3 bar g = 4.35 psi g

Note: Type XX1 and XX2, produced from 1994



- 4 Packing gland incl. gaskets
- 4a Gaskets complete for packing gland
- 9 Gasket for cone
- 10 Gasket for cone
- 12 O-ring / gasket (only for size 125) for housing / bonnet
- 13 Back sealing
- 14 Spring
- 16 Cap incl. gasket
- 17 Gasket for cap

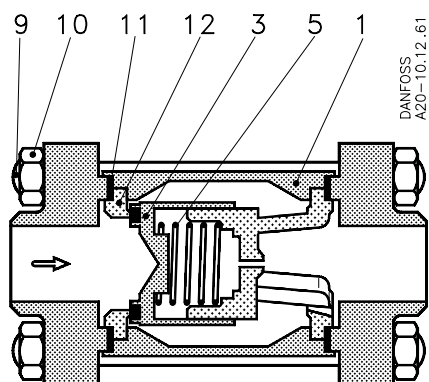
Fig. 1
SCH 50 - 100

Fig. 2
SCH 125 - 200

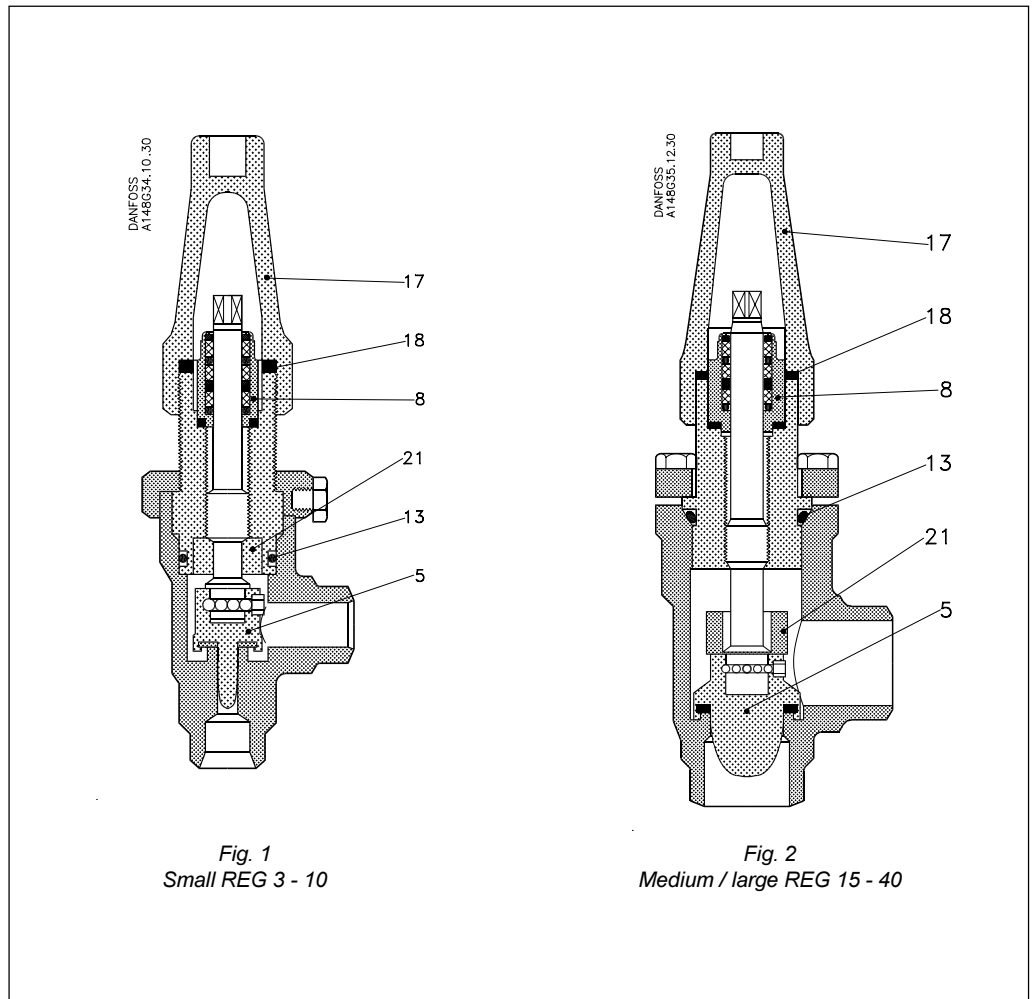
Description	Type	Pos.	Size					
			40 - 50 (1 ½ - 2 in.)	65 - 80 (2 ½ - 3 in.)	100 (4 in.)	125 (5 in.)	150 (6 in.)	200 (8 in.)
Spare part kit, for bonnet and cap (Dismounting set)	all	12-17	148B4081	148B4082	148B4083	148B4084	148B4085	
Repair kit, complete set of gaskets	all	4a-9-10-12-13-17	3184+112	3184+113	3184+114	3184+115	3184+116	
Packing gland incl. gaskets (with O-rings)	all	4	148B4087	148B4088				148B4089
Spring - standard (Δp=0.05 bar)	XX3	14	148G3208	148G3209	148G3210	148G3211	148G3212	
Spring - special (Δp=0.3 bar)	XX9	14	148G3213	148G3214	148G3215	148G3216	148G3217	
Cap incl. gasket	-	16	148B4100	148B4101				148B4102
Grease for packing gland (tube)	-	-	2452+143					

0.05 bar g = 0.73 psi g
0.3 bar g = 4.35 psi g

Note: Type XX3 and XX9, produced from 1986



Description	Qty	NRVA 15/20	NRVA 25/32	NRVA 40/50	NRVA 65
		Code no.	Code no.	Code no.	Code no.
Piston assembly		020-2104	020-2105	020-2106	020-2107
Pos. 3 Piston assembly	1				
Valve seat		020-2127	020-2128	020-2129	020-2130
Pos.12 Valve seat	1				
Spring 0.12 bar		020-2137	020-2138	020-2139	020-2140
Pos. 5 Spring	1				
Spring 0.30 bar		020-2307	020-2317	020-2327	020-2337
Pos. 5 Spring	1				
Complete valve without flanges		020-2020	020-2022	020-2024	020-2026
Pos. 1 Valve assembly	1				
11 Flange gasket	2				
Flange gaskets		020-2133	027F2176	027F2178	020-2136
Pos.11 Gasket	2				



- 5 Cone complete incl. steel balls and Allen screw
- 8 Packing gland incl. gaskets
- 8a Gaskets complete for packing gland
- 13 O-ring for housing / bonnet
- 17 Cap incl. gasket
- 18 Gasket for cap
- 21 Distance ring

Fig. 1
Small REG 3 - 10

Fig. 2
Medium / large REG 15 - 40

			Size		
			Small	Medium	Large
			3 - 10 (1/8 - 3/8 in.)	15 - 20 (1/2 - 3/4 in.)	25 - 40 (1 - 1 1/2 in.)
Description	Type	Pos.	For Cone No. ()*		Code No.
Spare part kit, for bonnet and cap (Dismounting set)	all	13-18	148B4070	148B4053	148B4008
Repair kit, complete set of gaskets	See cone No.	5-8a-13-18-21 and Allen key	(1) 2453+035	(4) 2453+038	(8) 2453+042
			(2) 2453+036	(5) 2453+039	(9) 2453+043
			(3) 2453+037	(6) 2453+040	(10) 2453+044
			-	(7) 2453+041	-
Packing gland incl gaskets (with O-rings)	all	8	148B4072	148B4056	148B4032
Cap incl. gasket	-	17	148B4074	148B4075	148B4076
Grease for packing gland (tube)	-	-	2452+143		

*Note: Cone No. equal to last digit in type designation (e.g. REG 15 AXXn n = cone No.)

- 5 Cone
- 8 Packing gland incl. gaskets
- 8a Gaskets complete for packing gland
- 13 O-ring for housing / bonnet
- 15 Steel ball
- 17 Cap incl. gasket
- 18 Gasket for cap
- 19 O-ring
- 20 Guide piece
- 21 O-ring
- 22 Sealing ring
- 24 O-ring

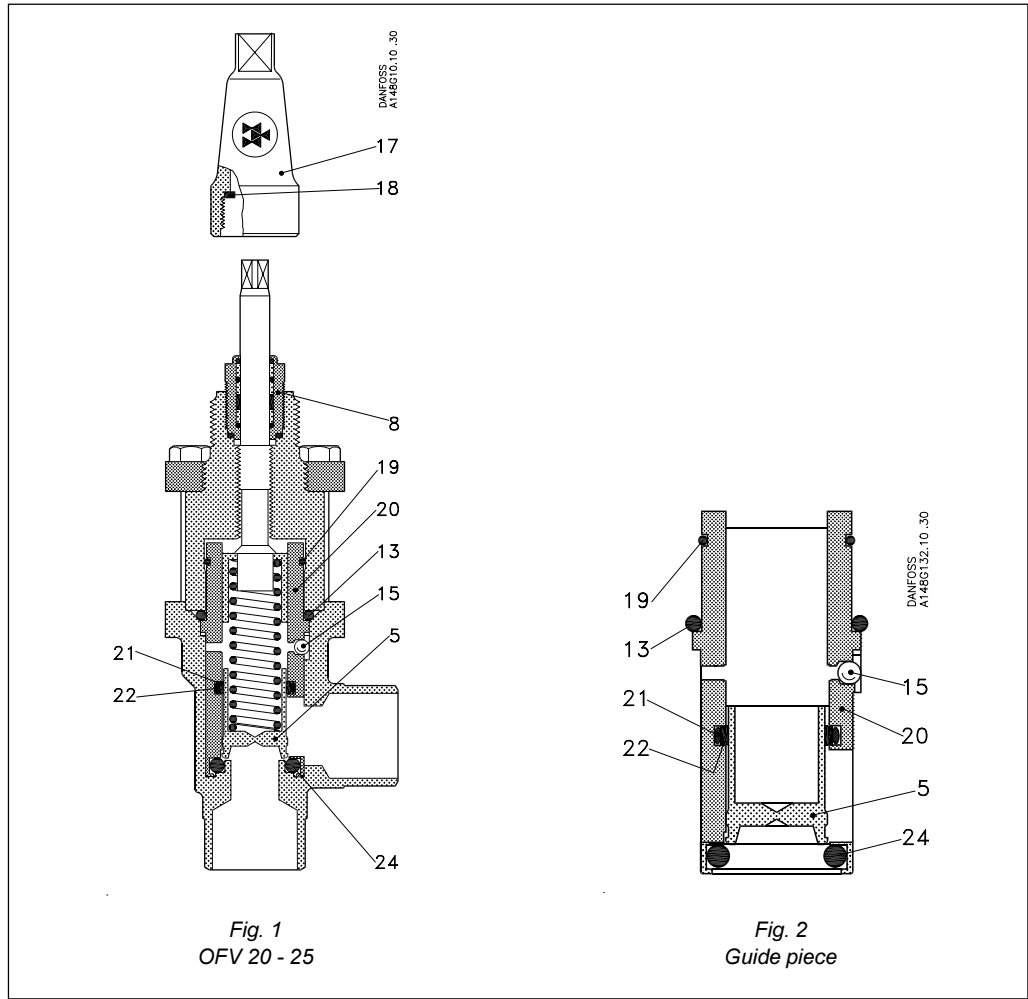
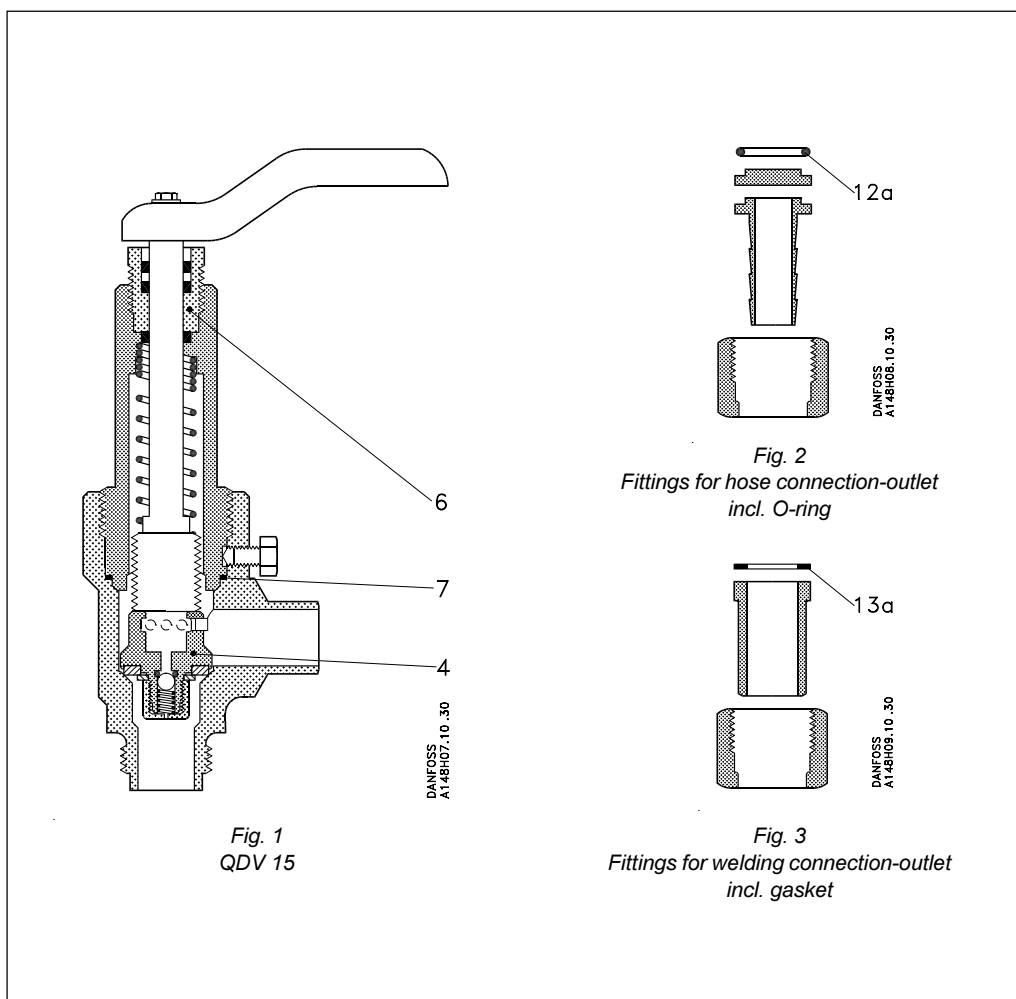


Fig. 1
OFV 20 - 25

Fig. 2
Guide piece

Description	Pos.	Size	
		20 (3/4 in.)	25 (1 in.)
Spare part kit, for bonnet and cap (Dismounting set)	13-18	148G3223	
Repair kit, set of gaskets	8a-13-18-19-24 (excl. 21-22)	2453+093	
Repair kit, guide piece incl. cone and complete set of gaskets	5-8a-13-15-18-19-20-21-22-24	2433+107	2433+108
Packing gland incl. gaskets (with O-rings)	8	148B4056	
Cap incl. gasket	17	148B4075	
Grease for packing gland (tube)	-	2452+143	

Note: Type 133, produced from 1996

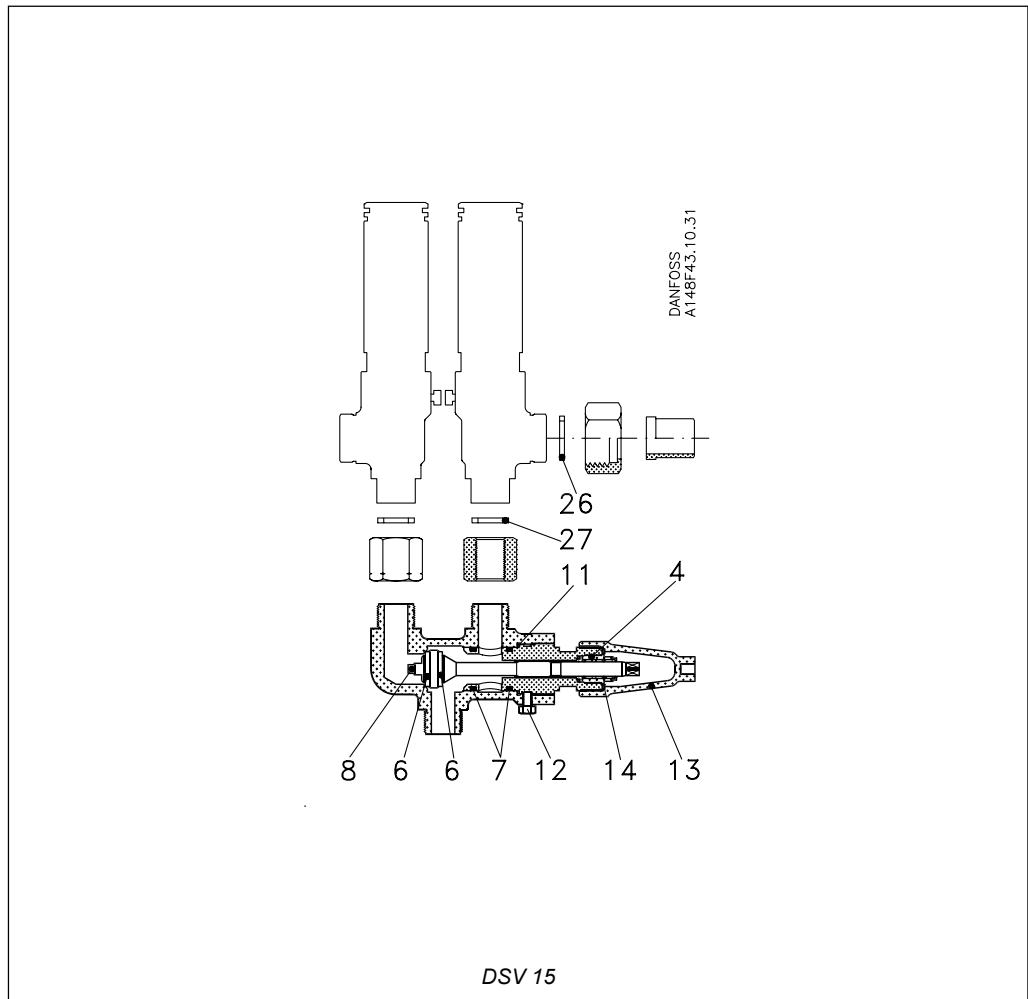


- 4 Cone complete incl. steel balls and Allen screw
- 6 Packing gland incl. gaskets
- 6a Gaskets complete for packing gland
- 7 Gasket for housing / bonnet
- 12a O-ring hose connection
- 13a Gasket for nipple connection

		Size
		15 (1/2 in.)
Description	Pos.	Code no.
Spare part kit, Cone	4-7 and Allen key	148H3048
Repair kit, complete set of gaskets	4-6a-7-12a-13a and Allen key	2453+092
Packing gland incl. gaskets (with O-rings)	6	148B4056
Grease for packing gland (tube)	-	2452+143

Optional extra

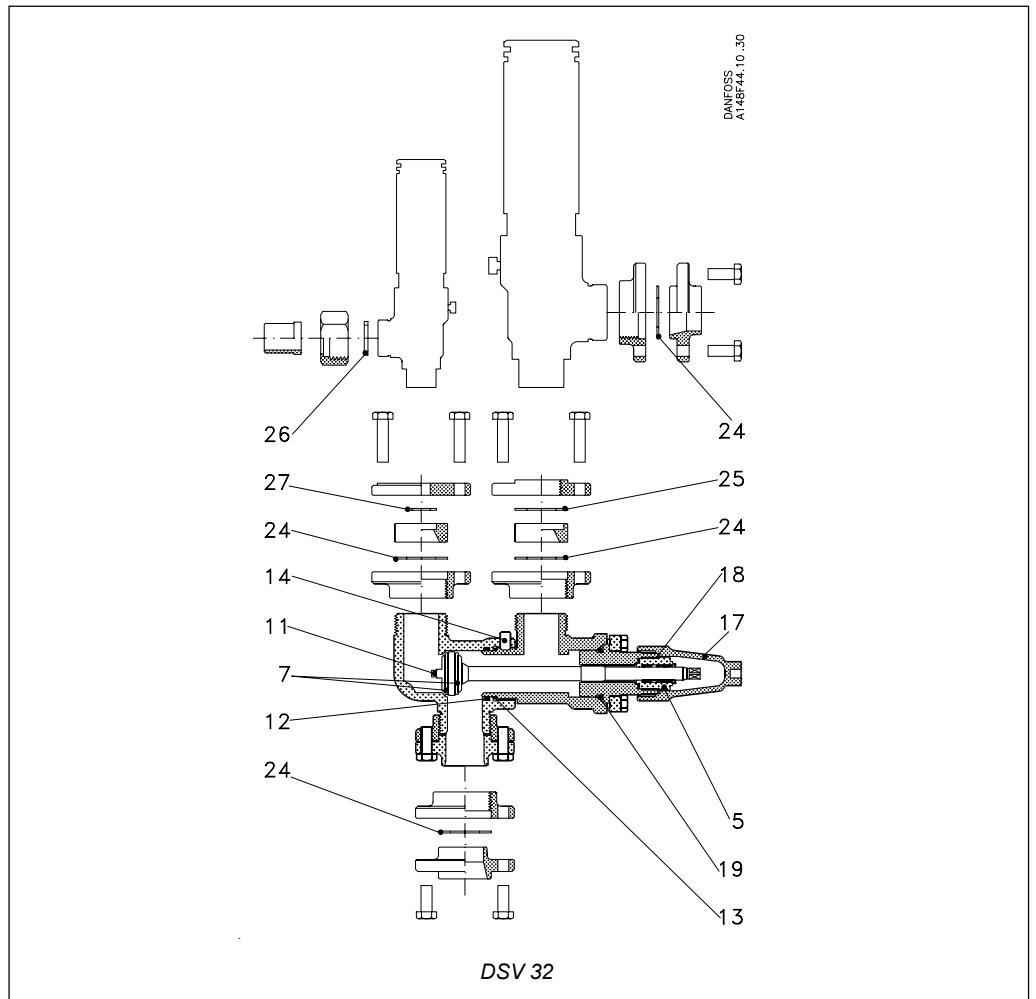
Description	Fig.	Code no.
Fittings for hose connection-outlet incl. O-ring	Fig. 2	2469+065
Fittings for welding connection-outlet incl. gasket	Fig. 3	2469+066



- 4 Packing gland incl. gaskets
- 4a Gaskets complete for packing gland
- 6 Gaskets for cone
- 7 O-ring for housing / bonnet
- 8 Lock pin
- 11 Compression ring
- 12 Lock screw
- 13 Cap incl. gasket
- 14 Gasket for cap
- 26 Gasket for nipple SFV
- 27 Gasket for nipple SFV / DSV

		Size
		15 (1/2 in.)
Description	Pos.	Code no.
Spare part kit, for bonnet and cap (Dismounting set)	7-11-12-14	148F3001
Repair kit, complete set of gaskets	4a-6-7-8-11-12-14-26-27	2453+054
Packing gland incl. gaskets (with O-rings)	4	148B4056
Cap incl. gasket	13	148B4075
Grease for packing gland (tube)	-	2452+143

- 5 Packing gland incl. gaskets
- 5a Gaskets complete for packing gland
- 7 Gaskets for cone
- 11 Lock pin
- 12 O-ring for housing
- 13 Compression ring
- 14 Lock screw
- 17 Cap incl. gasket
- 18 Gasket for cap
- 19 O-ring for housing / bonnet
- 24 Gasket for flange SFV 15 - 20 - 25 / DSV
- 25 Gasket for flange SFV 20 - 25 / DSV
- 26 Gasket for nipple SFV 15
- 27 Gasket for flange SFV 15 / DSV



		Size
		32 (1 1/4 in.)
Description	Pos.	Code no.
Spare part kit, for bonnet and cap (Dismounting set)	12-13-14-18-19	148F3002
Repair kit, complete set of gaskets	5a-7-11-12-13-14-18-19-24-25-26-27	2453+065
Packing gland incl. gaskets (with O-rings)	5	148B4032
Cap incl. gasket	17	148B4076
Grease for packing gland (tube)	-	2452+143

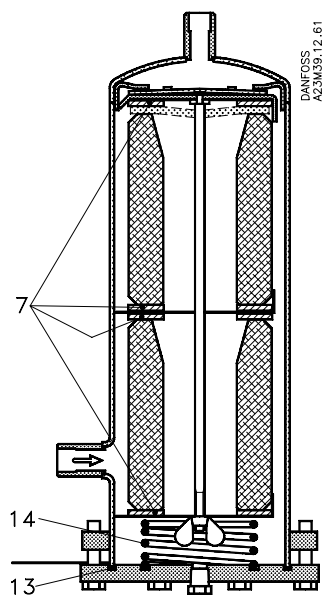


Fig. 1. DCR with 1-2 core/block holder

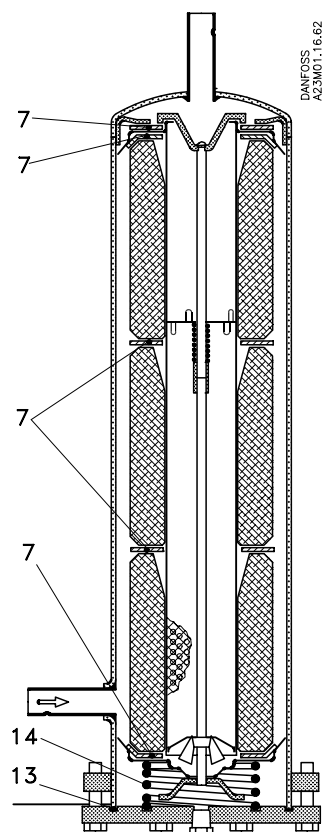


Fig. 2. DCR with 3 - 4 core/block holder

Description	Qty	Code no.
Gasket for cover, figs. 1 and 2 Suitable for: Danfoss DCR Alco ADKS Sporlan C, Catch All Henry V Parker P Carly BCY		023U0055
Pos.13 Gasket	1	
Gasket for cover, figs. 1 and 2 Suitable for: Alco ADK Hansa GT Castel 441—		023U0056
Pos.13 Gasket	1	
Gasket for cover, figs. 1 and 2 Suitable for KMP K		023U0057
Pos.13 Gasket	1	
Felt gasket, figs. 1 and 2 Pos. 7 Felt gasket	1	023U2018
Spring for cover, figs. 1 and 2 Pos.14 Spring	1	023U2019

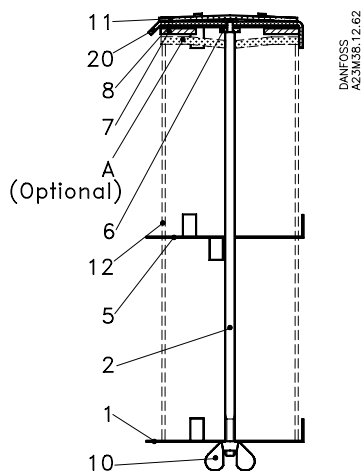


Fig. 3. 1 - 2 core/block holder

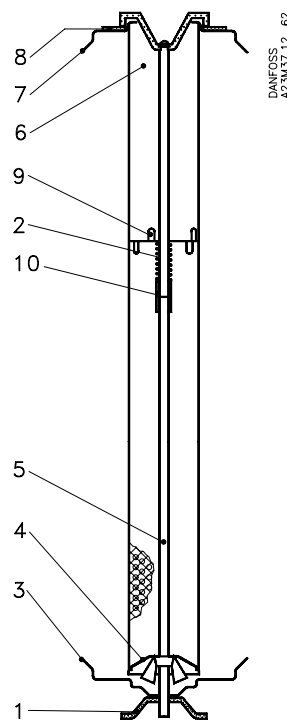
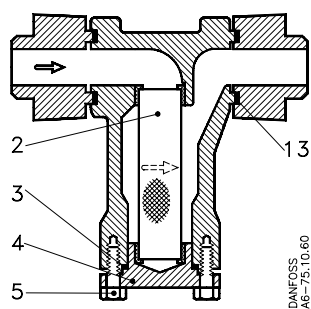


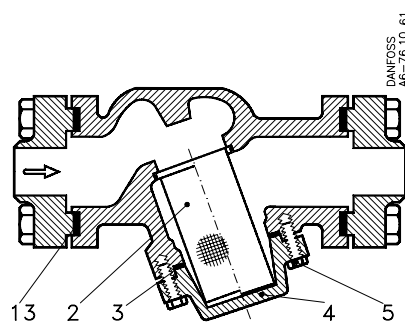
Fig. 4. 3 - 4 core/block holder

Description	Qty	1-core	2-core	3-core	4-core
		Code no.	Code no.	Code no.	Code no.
1 - 2 core/block holder, fig. 3		023U1044	023U1045		
Pos. 1 Plate	1				
2 Bolt	1				
5 Intermediate plate	1				
6 Washer	1				
7 Felt gasket	1				
8 Wire mesh	1				
10 Wing nut	1				
11 Rubber gasket	1				
12 Cardboard spacer	1				
20 Plate	1				
A Filtration element	1				
Seal kit, fig. 3		023U2023	023U2023	023U2023	023U2023
Pos. 7 Felt gasket	1				
11 Rubber gasket	1				
3 - 4 core/block holder, fig. 4		023U1040	023U1041	023U1048	023U1049
Pos. 1 Grip	1				
2 Spring	1				
3 Clamp plate	1				
4 Cap	1				
5 Bolt	1				
6 Filter assembly	1				
7 Plate	1				
8 Felt gasket	1				
9 Joint plate, for separtable	1				
10 Nut, for separtable	1				



DANFOSS
AG-75.10.60

Fig. 1. FA 15 and 20



DANFOSS
AG-75.10.61

Fig. 2. FA 25

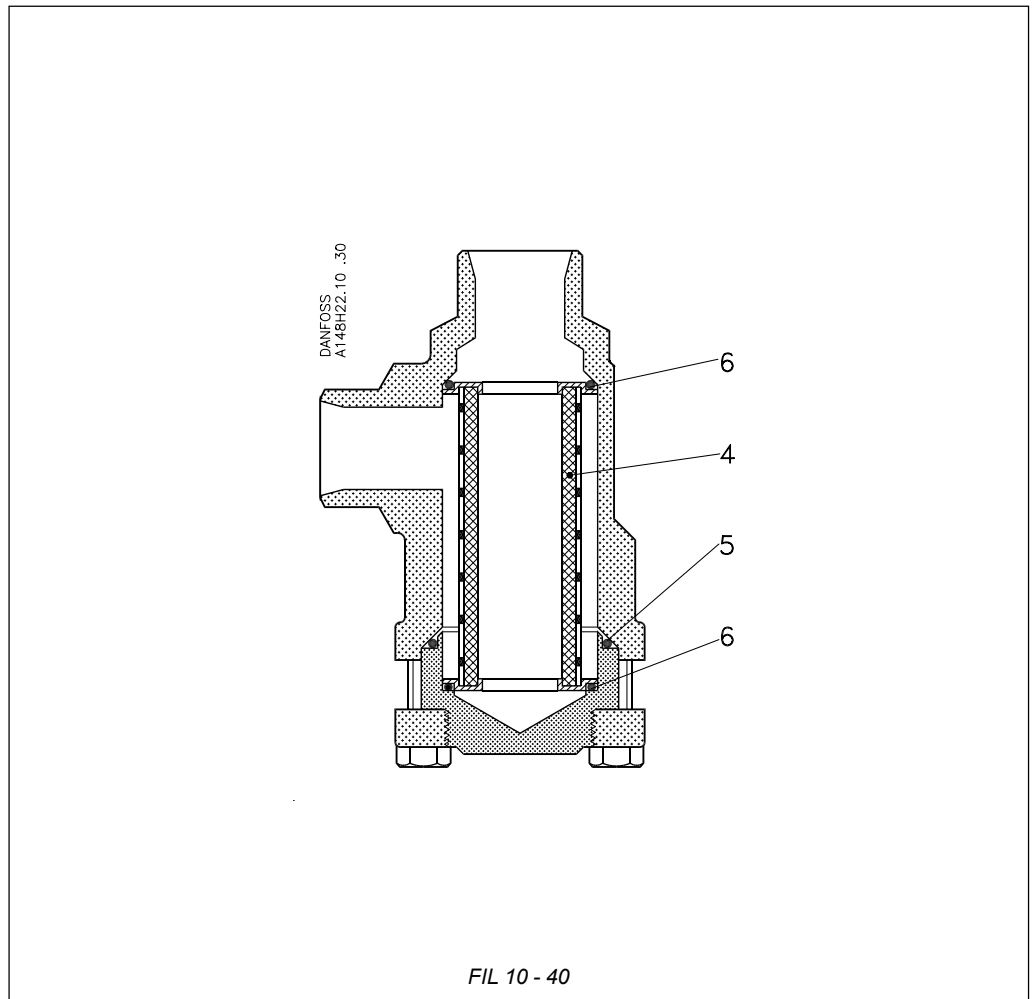
Description	Qty	FA 15	FA 20	FA 25
		Code no.	Code no.	Code no.
Repair kit, figs. 1 and 2		006-0331	006-0332	006-0333
Pos. 2 Strainer	1			
Pos. 3 Cover gasket	1			
Pos. 4 Screw	4*			
Seal kit, figs. 1 and 2		006-0334	006-0335	006-0336
Pos. 3 Cover gasket	1			
Pos. 13 Flange gasket	2			
Seal kit, fig. 1			006-0346**	
Pos. 3 Cover gasket	1			
Pos. 13 Flange gasket	2			

*)For FA 25: 6 pcs.

**)For FA 20 strainers,

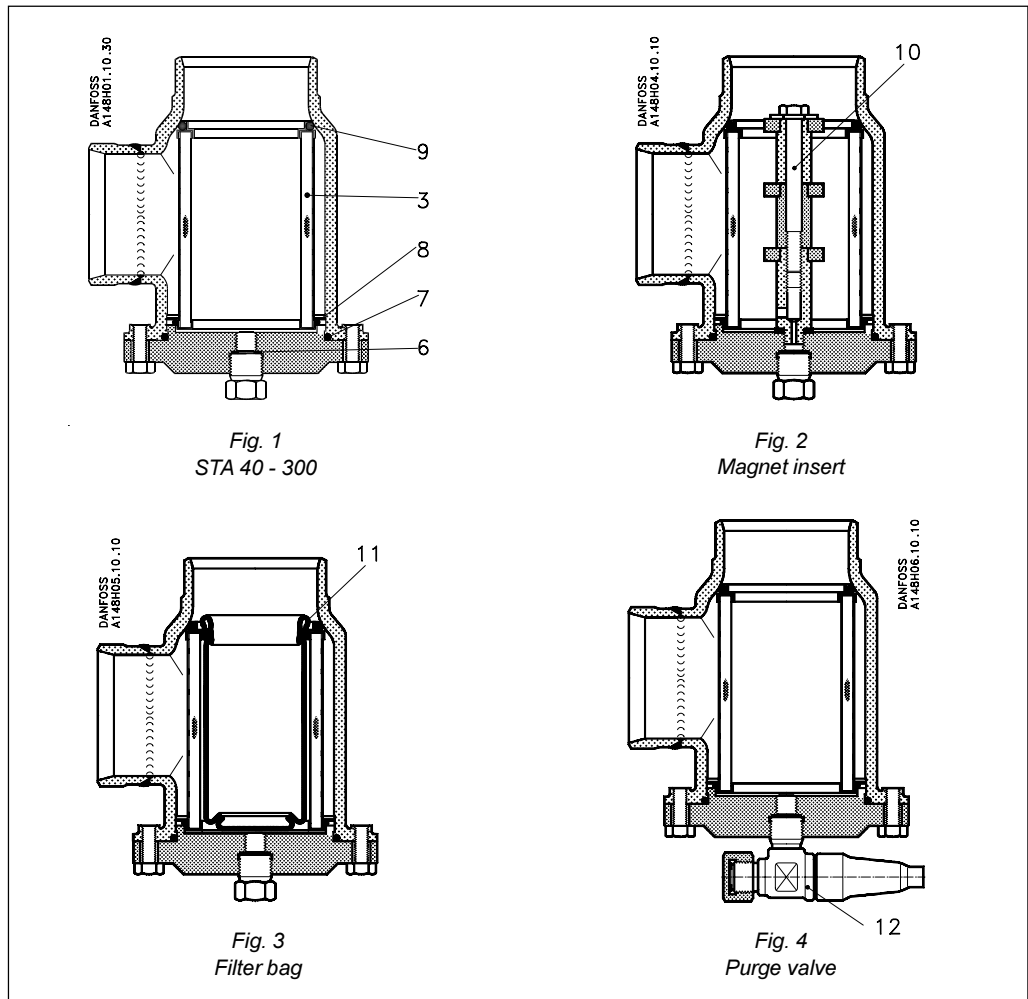
Code nos. 006-0046, 006,0048, 036-0062

Dimensions of flange gaskets: ID 29 × OD 39 × 1.5 mm



- 4 Filter element
- 5 O-ring for housing / bonnet
- 6 O-rings for filter

			Size		
			Medium (10 - 20)	Large (25 - 40)	
Description	Type	Pos.	Code no.		
Repair kit, complete set of gaskets	all	5-6	2453+028	2453+029	
Filter element	100 µm	XX0	4	148H3000	148H3001
	150 µm	XX1		148H3002	148H3003
	250 µm	XX2		148H3004	148H3005
	500 µm	XX3		148H3006	148H3007

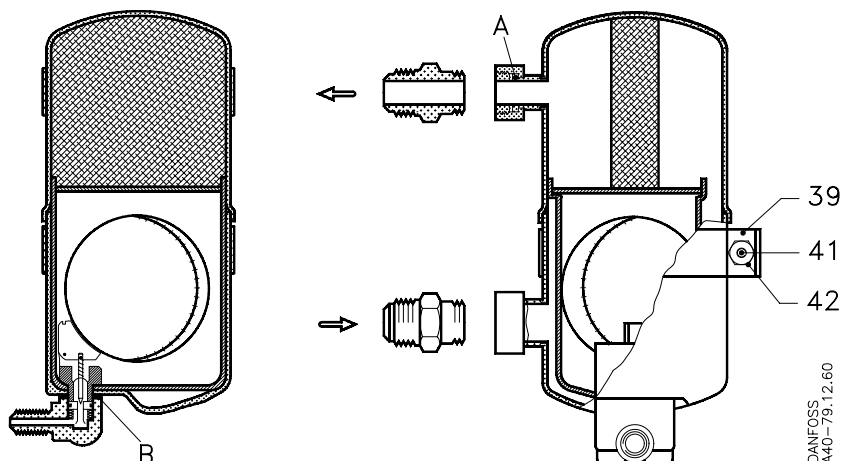


- 3 Filter element
- 6 Gasket for pressure relief screw
- 7 O-ring / gasket (only for size 125) for housing / bonnet
- 8 O-ring for filter
- 9 O-ring for filter
- 10 Magnet insert
- 11 Filter bag incl. spring holder
- 12 Purge valve complete incl. blind nut and gasket

Description		Type	Pos.	Size							
				40 - 50 (1½ - 2 in.)	65 - 80 (2½ - 3 in.)	100 (4 in.)	125 (5 in.)	150 (6 in.)	200 (8 in.)	250 (10 in.)	300 (12 in.)
Repair kit, complete set of gaskets		all	6-7-8-9	2453+030	2453+031	2453+032	2453+033	2453+034		2453+087	2453+088
Filter element	100 µm	XX0	3	148H3049	-	-	-	-	-	-	-
	150 µm	XX1		148H3008	148H3009	148H3010	148H3011	148H3012	148H3013	148H3014	148H3015
	250 µm	XX2		148H3016	148H3017	148H3018	148H3019	148H3020	148H3021	-	-
	500 µm	XX3		148H3022	148H3023	148H3024	148H3025	148H3026	148H3027	-	-

Accessories for filter

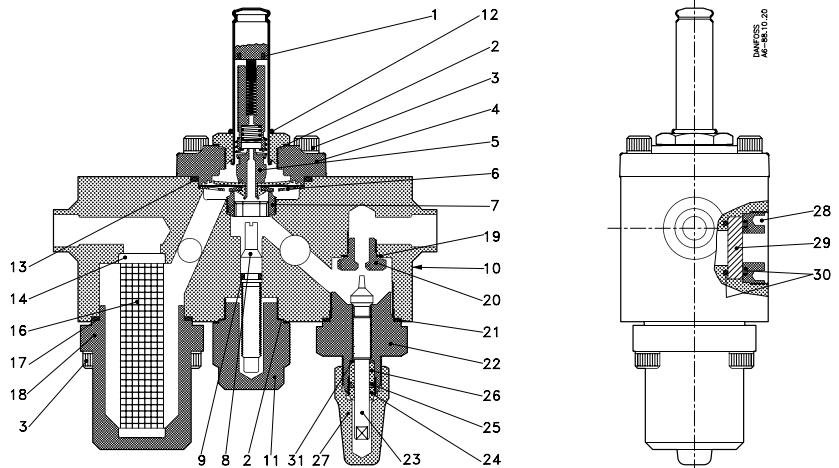
Magnet insert	Fig. 2	all	10	2464+595	2464+596		2464+597			2464+598	
Filter bag incl. spring holder	Fig. 3	all	11	148H3028	148H3029	148H3030	148H3031	148H3032	148H3033	-	
Purge valve complete incl. blind nut and gasket	Fig. 4	all	12	2412+634							



DANFOSS
A40-79.12.60

Description	Qty	OUB 1	OUB 4
		Code no.	Code no.
Mounting strap		040B0052	040B0057
Pos.39 Mounting strap	1		
41 Screw	1		
42 Nut	1		
Gasket		040B0051	040B0058
Pos. A Cu gasket	2		
Gasket		040B0049	040B0049
Pos. B Gasket	1		

BV 1 and BV 2



Description	Qty	Code no.
Spare part set, DN 10		006-1270
pos. 19 Alu gasket, dia.12.0 x dia.16.5 x 0.5 mm	1	
20 Orifice, dia. 3.0 mm	1	
21 Gasket	1	
22 Stuffing box	1	
23 Spindle, dia. 3.0 mm	1	
24 Packing nut	1	
25 Packing ring	1	
26 Gasket, teflon	1	
31 Disc	1	
Spare part set, DN 15		006-1271
pos. 19 Alu gasket, dia.12.0 x dia.16.5 x 0.5 mm	1	
20 Orifice, dia. 6.0 mm	1	
21 Gasket	1	
22 Stuffing box	1	
23 Spindle, dia. 6.0 mm	1	
24 Packing nut	1	
25 Packing ring	1	
26 Gasket, teflon	1	
31 Disc	1	
Spare part set, DN 10/15		006-1272
pos. 3 Screws, M6 x 20	4	
14 Spring washer, dia. 13.2 x dia 18.8 x 0.2 mm	1	
16 Strainer assembly (FA)	1	
17 Gasket dia. 34.5 x dia. 41 x 1.5 mm	1	
Spare part set, DN 10/15		006-1273
pos. 28 Packing ring	1	
29 Glas, dia. 25 mm	2	
30 O-ring, dia. 17.12 x dia. 2.62 mm	2	
Spare part set, DN 10/15		006-1274
pos. 2 Alu gasket, dia. 22.1 x dia. 26.5 x 0.5 mm	2	
3 Screws, M6 x 20	4	
5 Diaphragm/armature assembly	1	
6 Washer	1	
7 Valve seat	1	
8 Manual operating spindle	1	
9 O-ring, dia. 5.28 x dia. 1.78 mm	1	
13 Rubber gasket, dia. 48.7 x dia. 43.5 x 2.6 mm	1	

The Danfoss product programme for the refrigeration industry contains:

Compressors for Refrigeration and Air Conditioning

A wide range of hermetic reciprocating compressors and scroll compressors as well as aircooled condensing units. The product range is applied in air conditioning units, water chillers and commercial refrigeration systems.



Compressors for Refrigerators and Freezers

Hermetic compressors and fan-cooled condensing units for household refrigeration units such as refrigerators and freezers, and for commercial installations such as sales counters and bottle coolers. Compressors for heating pump systems. 12 and 24 V compressors for refrigerators and freezers in commercial vehicles, buses, and boats.



Appliance Controls

For the regulation of refrigeration appliances and freezers Danfoss supply a CFC-free product range of electromechanical thermostats for refrigerators and electromechanical thermostats for refrigerators and freezers produced according to customer specification; Hermetic valves for refrigerator/freezer combinations and for energy saving applications; Service thermostats – for all refrigerating and freezing appliances.



Refrigeration and Air Conditioning Controls

With our full product range we cover all the requirements for mechanical and electronically controlled refrigeration systems. The functions cover: control, safety, system protection and monitoring. Our products are applied for all commercial- and industrial refrigeration applications as well as for air conditioning.



Danfoss can accept no responsibility for possible errors in catalogues, brochures and other printed material. Danfoss reserves the right to alter its products without notice. This also applies to products already on order provided that such alterations can be made without subsequential changes being necessary in specifications already agreed. All trademarks in this material are property of the respective companies. Danfoss and the Danfoss logotype are trademarks of Danfoss A/S. All rights reserved.