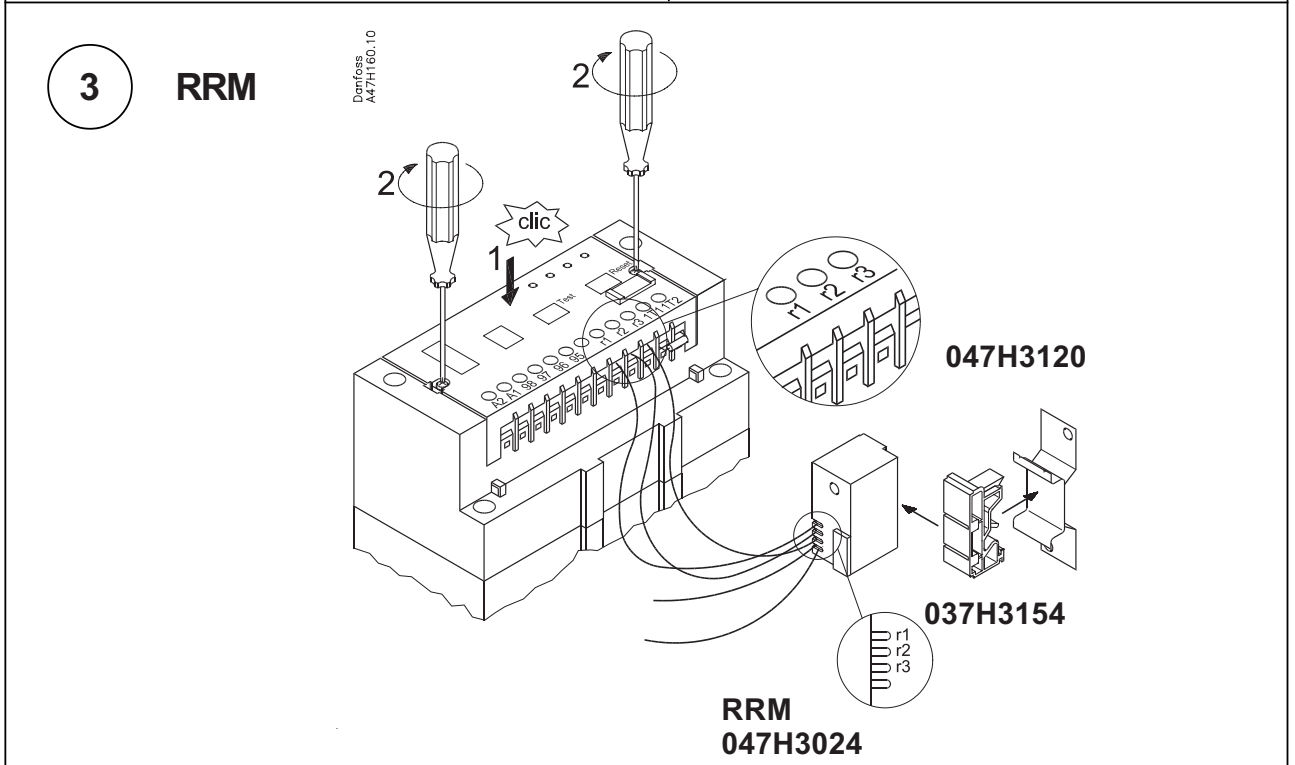
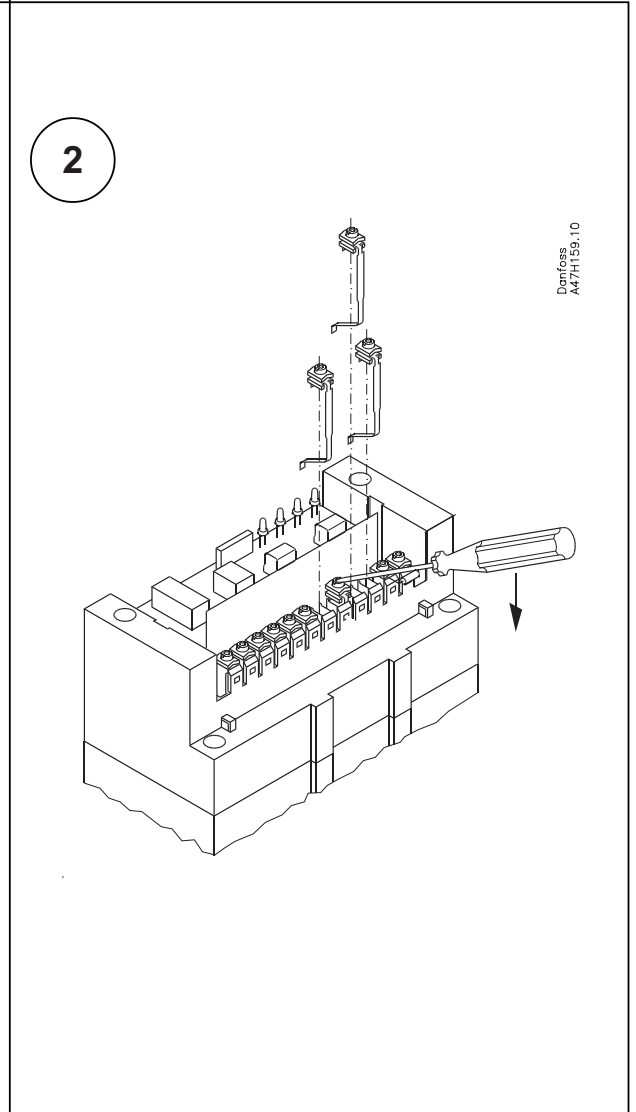
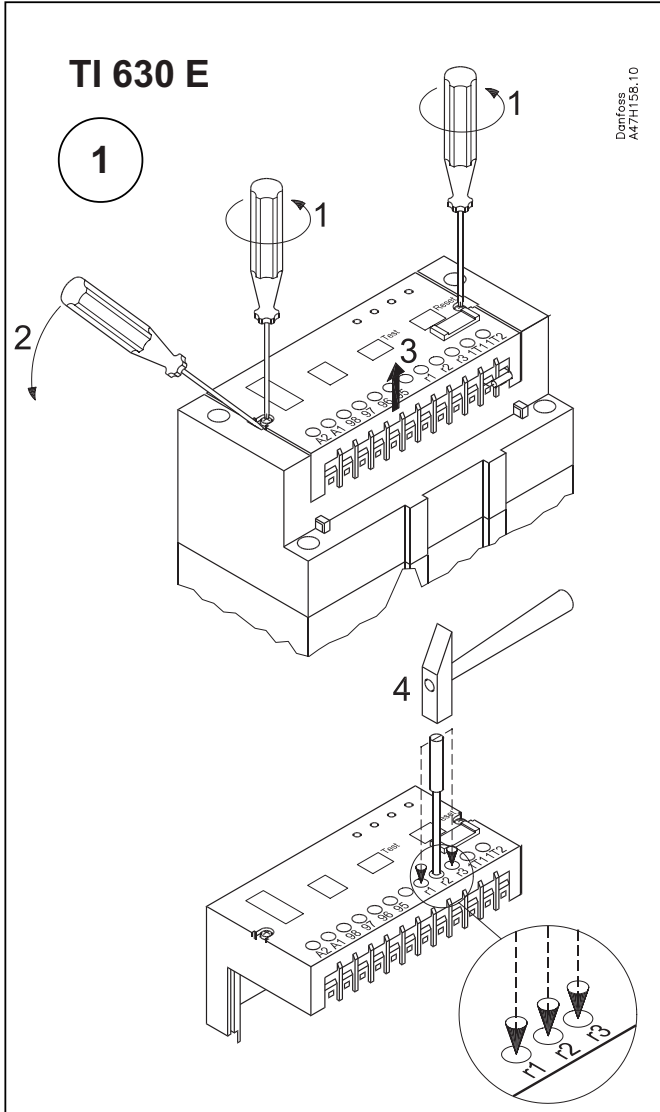


047C047C3013

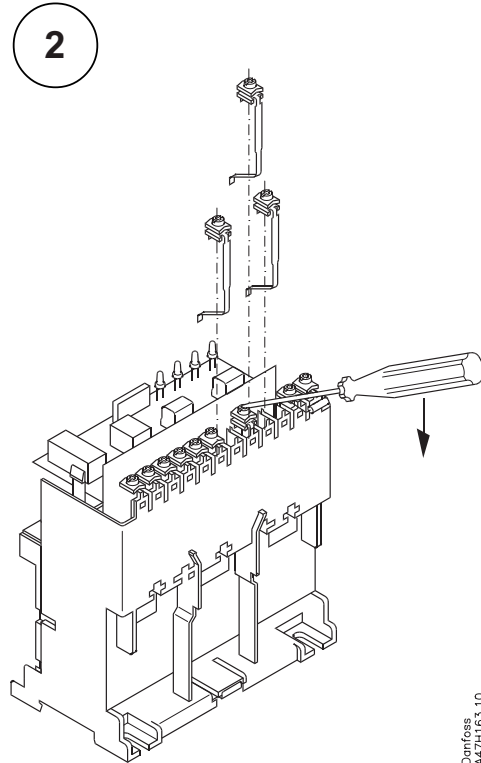
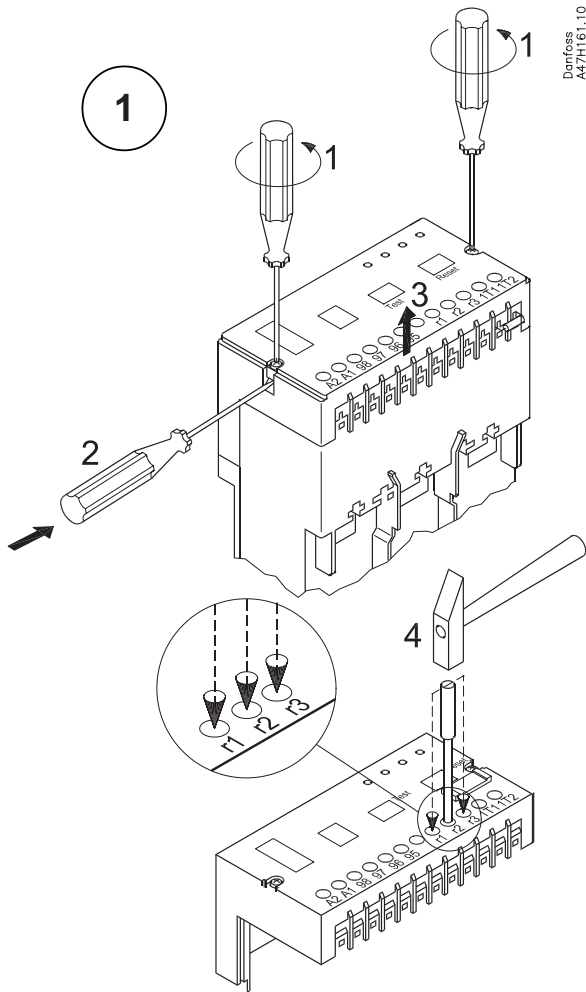
047C3013



047C3013

047C3013

TI 180 E



3 RRM

