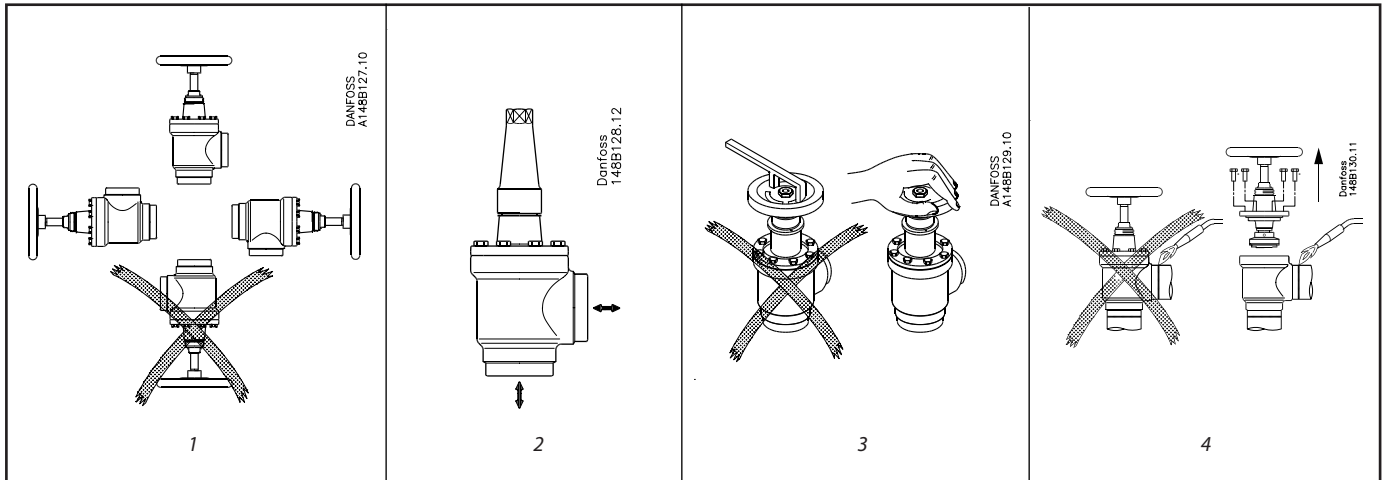


SVA-ST 10-65 (PS 52 bar / 754 psi)
 SVA-SS 15-200 (PS 50 bar / 725 psi)
 SVA-ST 80-200 (PS 50 bar / 725 psi)
 SVA-SS 80-200 (PS 50 bar / 725 psi)

148R9526

148R9526



DN 10

	Nm	LB-feet
DN 10	10	7.5

5a Danfoss 148B108.12

5b

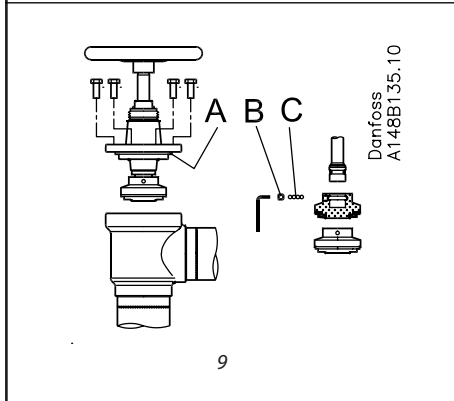
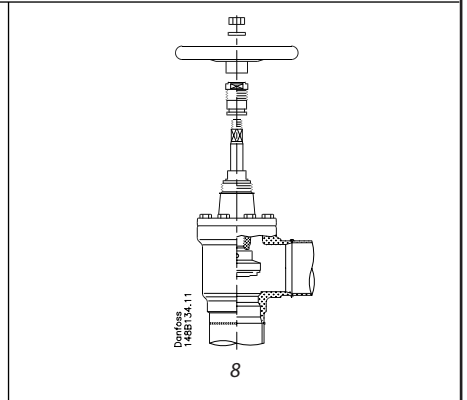
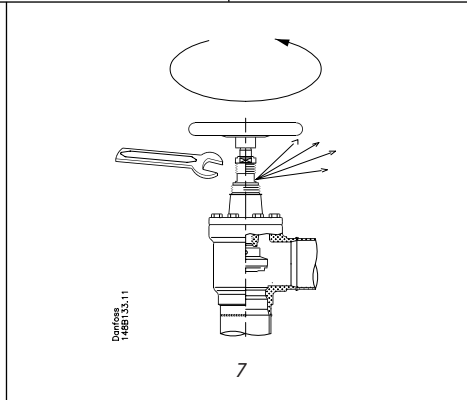
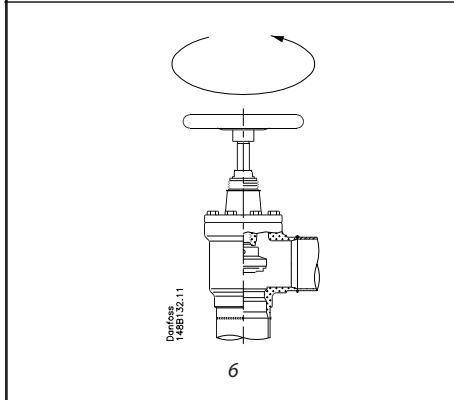
5c

DN 15 - 200

5a Danfoss 148B131.12

5b

	Nm	LB-feet
DN 15-20	22	16
DN 25-32-40-50	44	32
DN 65	75	53
DN 80	44	32
DN 100	75	53
DN 125-150	183	135
DN 200	370	272



10 Danfoss A148B137.12

	Nm	LB-feet
DN 15-20	50	37
DN 25-40	70	52
DN 50-65-80-100	60	45
DN 125-150-200	80	60

Installation

Refrigerants

Applicable to all common non-flammable refrigerants, including R717 and non-corrosive gases/liquids dependent on sealing material compatibility. Flammable hydrocarbons are not recommended. The valve is only recommended for use in closed circuits. For further information please contact Danfoss.

Temperature range

SVA-ST: -50/+150°C (-58/+302°F)
SVA-SS: -60/+150°C (-76/+302°F)

Pressure

SVA 10-65: The valves are designed for a max. working pressure of 52 bar g (754 psi g).
SVA 80-200: The valves are designed for a max. working pressure of 50 bar g (725 psi g).

Installation

The valve must be installed with the spindle vertically upwards or in horizontal position (fig. 1). Valves should be opened by hand without the use of tools or other devices (fig. 3). The valve is designed to withstand a high internal pressure. However, the piping system should be designed to avoid liquid traps and reduce the risk of hydraulic pressure caused by thermal expansion. It must be ensured that the valve is protected from pressure transients like "liquid hammer" in the system.

Attention!

SVA are shut off valves and must always be either fully closed or fully open. Half open positions are not allowed. In case the valve is installed close to compressor (economizer lines, oil lines etc.) or on other lines subjected to high vibrations and pulsations, it is necessary to install special lock washers on the valve. Please refer to the catalogue for additional information.

Recommended flow direction

To achieve optimum flow conditions, the valve should be installed with the flow towards the valve cone as indicated by the arrow on the side of the valve body (fig. 2). Flow in the opposite direction is also acceptable (fig. 2), but slightly reduces the k_{v-} / C_v value.

Welding

The bonnet should be removed before welding (fig. 4) to prevent damage to the O-rings in the packing gland and between the valve body and bonnet, as well as the teflon gasket in the valve seat. Only materials and welding methods, compatible with the valve housing material, must be welded to the valve housing. The valve should be cleaned internally to remove welding debris on completion of welding and before the valve is reassembled.

Avoid welding debris and dirt in the threads of the housing and the bonnet.

Removing the bonnet can be omitted provided that:

The temperature in the area between the valve body and bonnet during welding does not exceed +150°C/+302°F. This temperature depends on the welding method as well as on any cooling of the valve body during the welding itself. (Cooling can be ensured by, for example, wrapping a wet cloth around the valve body.) Make sure that no dirt, welding debris etc. get into the valve during the welding procedure.

Be careful not to damage the teflon cone ring.

The valve housing must be free from stresses (external loads) after installation.

Stop valves must not be mounted in systems where the outlet side of the valve is open to atmosphere. The outlet side of the valve must always be connected to the system or properly capped off, for example with a welded-on end plate.

Assembly

Remove welding debris and any dirt from pipes and valve body before assembly. Check that the cone has been fully screwed back towards the bonnet before it is replaced in the valve body (fig. 5a).

Tightening

Tighten the bonnet with a torque wrench, to the values indicated in the table (fig. 5b).

Colours and identification

The SVA valves are painted with a red oxide primer in the factory. Precise identification of the valve is made via the ID ring at the top of the bonnet, as well as by the stamping on the valve body. The external surface of the valve housing must be prevented against corrosion with a suitable protective coating after installation and assembly.

Protection of the ID ring when repainting the valve is recommended.
SVA-SS valves are not painted and do not require any protective coating.

Maintenance

Packing gland

When performing service and maintenance, replace the complete packing gland only, which is available as a spare part. As a general rule, the packing gland must not be removed if there is internal pressure in the valve. However, if the following precautionary measures are taken, the packing gland can be removed with the valve still under pressure:

Backseating (fig. 6)

To backseat the valve, turn the spindle counter-clockwise until the valve is fully open.

Pressure equalization (fig. 7)

In some cases, pressure forms behind the

packing gland. Hence a handwheel or similar should be fastened on top of the spindle while the pressure is equalized. The pressure can be equalized by slowly screwing out the gland.

Removal of packing gland (fig. 8)

Handwheel and packing gland can now be removed.

Dismantling the valve (fig. 9)

Do not remove the bonnet while the valve is still under pressure.

- Check that the O-ring (pos. A) has not been damaged.
- Check that the spindle is free of scratches and impact marks.
- If the teflon cone ring has been damaged, the whole cone assembly must be replaced.

Replacement of the cone (fig. 9)

Unscrew the cone screw (pos. B) with an Allen key.

SVA 10.....	2.0 mm A/F
SVA 15-40	2.0 mm A/F
SVA 50-65	2.5 mm A/F
SVA 80-100.....	4 mm A/F
SVA 125-150	5 mm A/F
SVA 200	6 mm A/F

(An Allen key is included in the Danfoss Industrial Refrigeration gasket set).
Remove the balls (pos. C).

Number of balls in pos. C:

SVA 10.....	6 pcs.
SVA 10-20	10 pcs.
SVA 25-65	14 pcs.
SVA 80-200.....	13 pcs.

The cone can then be removed. Place the new cone on the spindle and replace the balls. Refit the cone screw in again using Loctite No. 648. to ensure that the screw is properly fastened.

Assembly

Remove any dirt from the body before the valve is assembled. Check that the cone has been screwed back towards the bonnet before it is replaced in the valve body (fig. 5a).

Tightening

Tighten the bonnet with a torque wrench, to the values indicated in the table (fig. 5b). Tighten the packing gland with a torque wrench, to the values indicated in the table (fig. 10).

Use only original Danfoss parts, including packing glands, O-rings and gaskets for replacement. Materials of new parts are certified for the relevant refrigerant.

In cases of doubt, please contact Danfoss. Danfoss accepts no responsibility for errors and omissions. Danfoss Industrial Refrigeration reserves the right to make changes to products and specifications without prior notice.

Name and Address of Manufacturer's Representative within the European Community

Danfoss Industrial Refrigeration A/S
Stormosevej 10
PO Box 60
DK-8361 Hasselager
Denmark

Declaration

We hereby declare that below-mentioned equipment are Classified for Fluid Group I (all refrigerants (toxic, non-toxic, flammable and non-flammable)), and that all are covered by Article 3, paragraph 3.
For further details / restrictions - see Installation Instruction

Description of Pressure Equipment

Refrigerant stop valve, with straight or angled bonnet arrangement
Type **SVA-ST, SVA-HS** and **SVA-SS**

Nominal bore	DN ≤ 25 mm (1 in.)
--------------	---------------------------

References of other Technical Standards and Specifications used

prEN 12284 DIN 3158
AD-Merkblätter 2000

Authorised Person for the Manufacturer's Representative within the European Community

Name: Michael Breumsø Title: Plant Director

Signature:  Date: 07/03/2006

DECLARATION OF CONFORMITY
The Pressure Equipment Directive 97/23/EC



Name and Address of Manufacturer within the European Community

Danfoss Industrial Refrigeration A/S
Stormosevej 10
PO Box 60
DK-8361 Hasselager
Denmark

Description of Pressure Equipment

Refrigerant stop valve, with straight or angled bonnet arrangement

Type SVA-ST, SVA-SS

Nominal bore	SVA-ST, DN 32-200 mm (1¼ - 8 in.); SVA-SS DN 32-200 mm (1¼ - 8 in.)	
Classified for	Fluid Group I (all refrigerants (toxic, nontoxic, flammable and nonflammable)). For further details / restrictions - see Installation Instruction.	
Temperature range	SVA-ST SVA-SS	-50°C/+150°C (-58°F/+302°F) -60°C/+150°C (-76°F/+302°F)
Maximum allowable working pressure	Standard applications High pressure applications High pressure applications	40 bar (580 psi) 50 bar (725 psi) 52 bar (754 psi)

Conformity and Assessment Procedure Followed

Category	II	III
Module	D1	B1 + D
Certificate ID	<i>D1: 07 202 0511 Z 0009/1/H-0002</i>	<i>B1: 07 202 0511 Z 0058/1/H-0001</i> <i>D: 07 202 0511 Z 0009/1/H-0001</i>
Nominal bore	DN 32-80 mm (1¼ - 3 in.)	DN 100-200 mm (4-8 in.)
Standard applications		

Name and Address of the Notified Body which carried out the Inspection

TÜV-Nord e.V.
Grosse Bahnstrasse 31
22525 Hamburg, Germany



Name and Address of the Notified Body monitoring the Manufacturer's Quality Assurance System

TÜV-Nord e.V.
Grosse Bahnstrasse 31
22525 Hamburg, Germany

References of Harmonised Standards used


EN 10028-3 EN 10213-3 EN 10222-4

References of other Technical Standards and Specifications used

prEN 12284 DIN 3158
AD-Merkblätter 2000

Authorised Person for the Manufacturer within the European Community

Name: Michael Breumsø **Title:** Plant Director

Signature:  **Date:** 07/03/2006

148B9701 - rev. 2