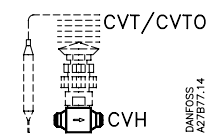
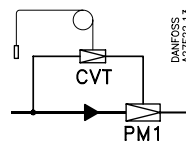
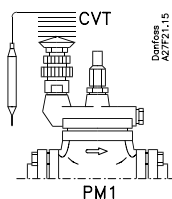


027R9590

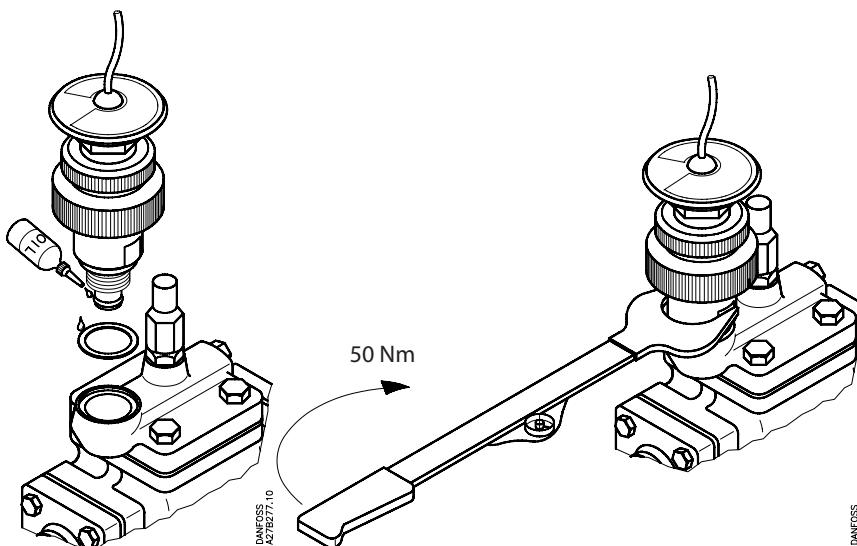
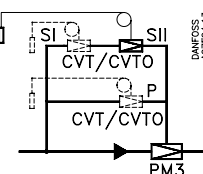
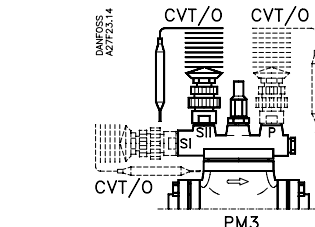
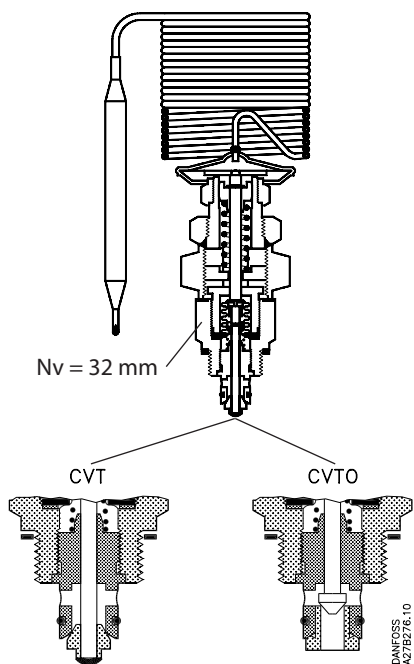
R 717, R 22, R 134a, R 404A etc.

Range:

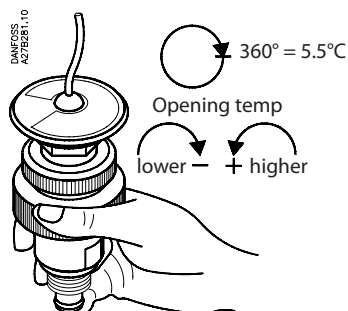
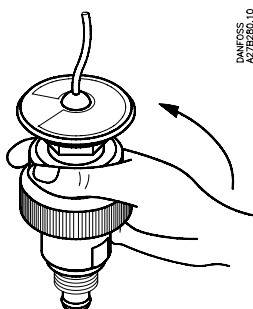
-40 → 0°C
 -10 → 25°C
 20 → 60°C
 80 → 140°C



027R9590



Range		
-40 → 0°C	-30°C	
-10 → 25°C	0°C	
20 → 60°C	30°C	
80 → 140°C	90°C	



PB/MWP
 = 19 bar
 $\Delta p = P_1 - P_2$
 = max. 8 bar

