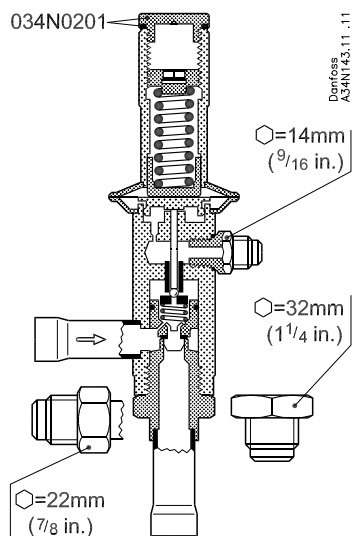


034R9507

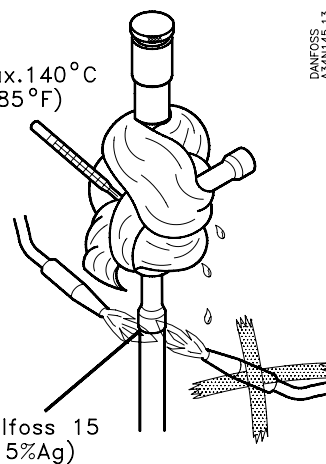
CFC, HCFC, HFC



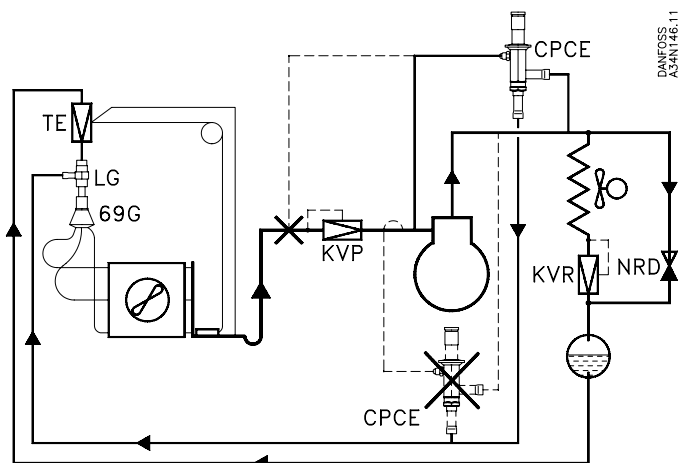
Danfoss
A34N143.11-11

034R9507

Max. 140°C
(285°F)

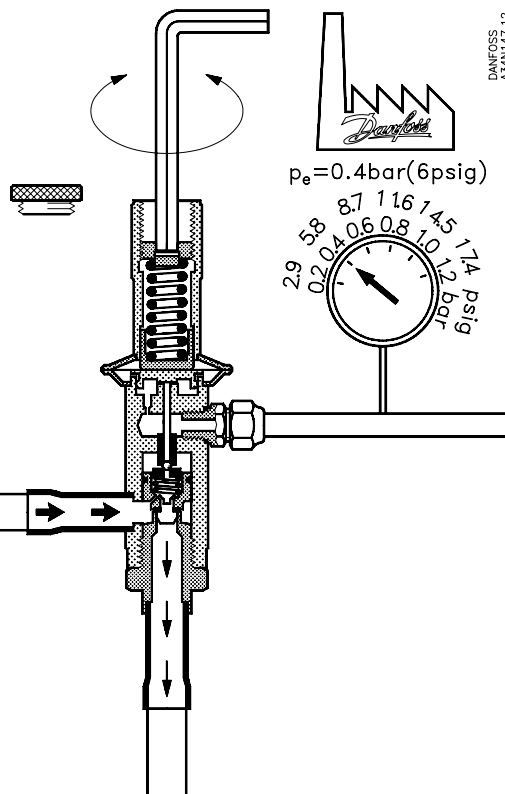


DANFOSS
A34N145.13



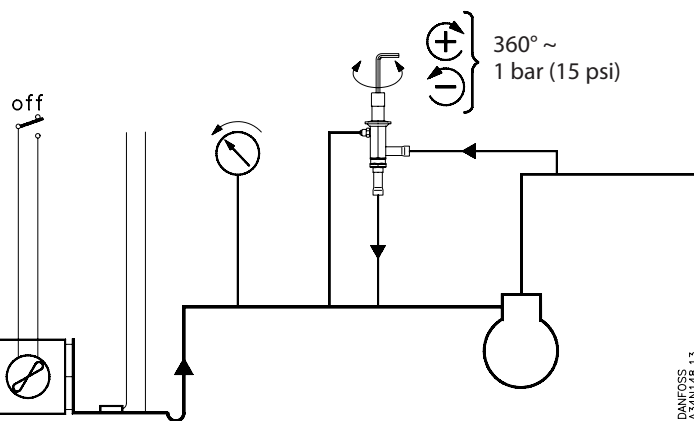
DANFOSS
A34N146.11

$t_{max.} = +140^{\circ}\text{C}$ (285°F)
 $t_{min.} = -50^{\circ}\text{C}$ (-60°F)
 PS (MWP) = 28 bar p_e (400 psig)
 $p_{test, max.} = 31.5$ bar p_e (450 psig)



DANFOSS
A34N147.12

$p_e = 0.4$ bar (6 psig)



DANFOSS
A34N148.13