

Fig. 1, CVC, pressure controlled; with signal connector

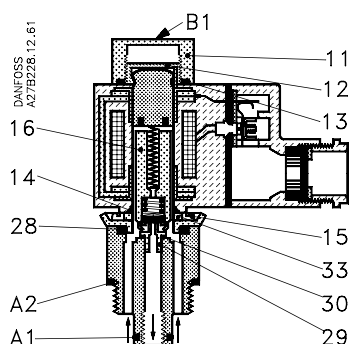


Fig. 2, EVM (NC) with flange connection of armature tube, previous design

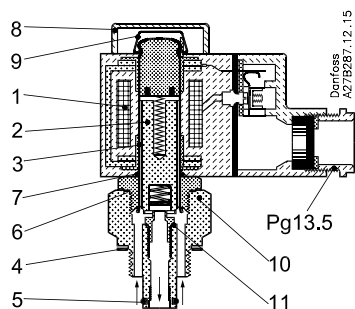


Fig. 3, EVM (NC) with plug-in connection of armature tube

Description	Qty	Code no.
<b>CVC</b>		
<b>Seal kit, fig. 1</b>		<b>027F0666</b>
Pos. A1 O-ring	1	
A2 Gasket	1	
<b>EVM (NC), previous design</b>		
<b>Service kit, fig. 2</b>		<b>032F0201</b>
Pos. 11 Nut	1	
12 Snap fastener	1	
13 O-ring	1	
14 O-ring	1	
15 Screw	4	
16 NC armature assembly, teflon	1	
28 Rubber gasket	1	
29 Orifice	1	
30 Alu gasket	1	
A1 O-ring	1	
A2 Gasket	1	
<b>EVM (NC)</b>		
<b>Service kit, fig. 3</b>		<b>032F1116</b>
Pos. 11 Nut	1	
12 Snap fastener	1	
13 O-ring	1	
14 O-ring	1	
15 Alu gasket	1	
16 Armature assembly, teflon	1	
29 Orifice	1	
30 Alu gasket	1	
A1 O-ring	1	
A2 Gasket	1	
<b>EVM (NC)</b>		
<b>Seal kit, fig. 1 and 2</b>		<b>018Z0093</b>
Pos. 11 Nut	1	
12 Snap fastener	1	
13 O-ring	1	
14 O-ring	1	
B1 Label	1	
<b>EVM (NC)</b>		
<b>Seal kit, fig. 1 and 2</b>		<b>032F0209</b>
Pos. 13 O-ring	1	
14 O-ring	1	
28 Rubber gasket	1	
30 Alu gasket	1	
A1 O-ring	1	
A2 Gasket	1	
<b>EVM (NC)</b>		
<b>Seal kit, fig. 1 and 2</b>		<b>027F0666</b>
Pos. A1 O-ring	1	
A2 Gasket	1	