

Fig. 1, Push rod assembly for PMC, sizes 5 to 20

Fig. 2, PMC 1, sizes 5 to 20

Fig. 3, PMC 3, sizes 5 to 20

| Description | Qty | Size 5 | Size 8 | Size 12 | Size 20 |
|--|-----|-----------------|-----------------|-----------------|-----------------|
| | | Code no. | Code no. | Code no. | Code no. |
| Push rod assembly, fig. 1 | | 027F0160 | 027F0161 | 027F0162 | 027F0163 |
| Pos. 1 Push rod | 1 | | | | |
| 2 Cone | 1 | | | | |
| 3 Valve plate | 1 | | | | |
| 4 Clamping plate | 1 | | | | |
| 5 Nut | 1 | | | | |
| 6 Spring washer | 1 | | | | |
| 7 Nut | 1 | | | | |
| 8 Locking ring | 1 | | | | |
| Valve plate, fig. 1 | | 027F0683 | 027F0683 | 027F0683 | 027F0683 |
| Pos. 3 Valve plate | 1 | | | | |
| Manual operation, figs. 2 and 3 | | 027F2130 | 027F2130 | 027F2130 | 027F2130 |
| Pos. 2 Alu gasket | 1 | | | | |
| 53 Manual operation | 1 | | | | |
| Piston ring, figs. 2 and 3 | | 027F0649 | 027F0649 | 027F0649 | 027F0649 |
| Pos. 25 Piston ring | 1 | | | | |
| Piston assembly, figs. 2 and 3 | | 027F0400 | 027F0400 | 027F0400 | 027F0400 |
| Pos. 21 Piston | 1 | | | | |
| 25 Piston ring | 1 | | | | |
| Servo spring, figs. 2 and 3 | | 027F0910 | 027F0910 | 027F0910 | 027F0910 |
| Pos. 23 Spring | 1 | | | | |
| Top cover, PMC 1, fig. 2 | | 027F0640 | 027F0640 | 027F0640 | 027F0640 |
| Pos. 2 Alu gasket | 1 | | | | |
| 3 Plug | 1 | | | | |
| 4 Alu gasket | 1 | | | | |
| 26 Gasket | 1 | | | | |
| 30 Top cover | 1 | | | | |
| 53 Manual operation | 1 | | | | |

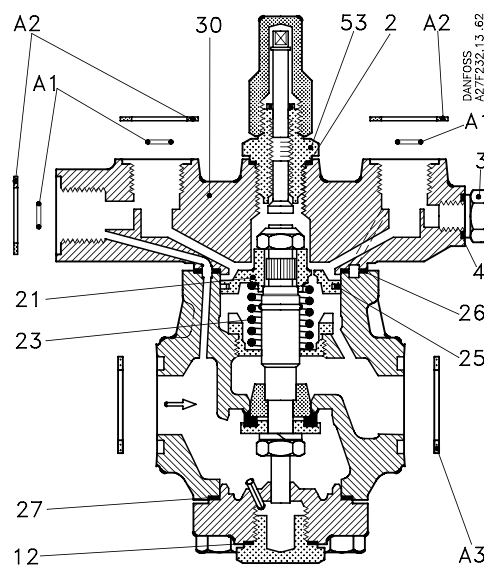
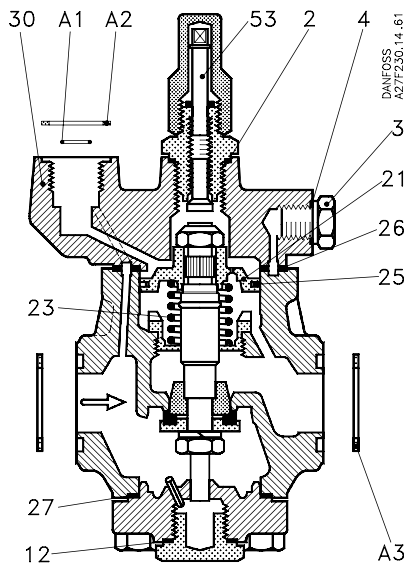
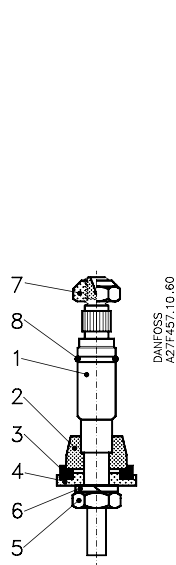


Fig. 1, Push rod assembly for PMC, sizes 5 to 20

Fig. 2, PMC 1, sizes 5 to 20

Fig. 3, PMC 3, sizes 5 to 20

| Description | Qty | Size 5 | Size 8 | Size 12 | Size 20 |
|--------------------------------------|-----|-----------------|-----------------|-----------------|-----------------|
| | | Code no. | Code no. | Code no. | Code no. |
| Top cover, PMC 3, fig. 3 | | 027F0645 | 027F0645 | 027F0645 | 027F0645 |
| Pos. 2 Alu gasket | 1 | | | | |
| 3 Plug | 1 | | | | |
| 4 Alu gasket | 1 | | | | |
| 26 Gasket | 1 | | | | |
| 30 Top cover | 1 | | | | |
| 53 Manual operation | 1 | | | | |
| Seal kit, figs. 2 and 3 | | 027F2170 | 027F2170 | 027F2170 | 027F2170 |
| Pos. 26 Gasket | 1 | | | | |
| 27 Gasket | 1 | | | | |
| Seal kit, figs. 2 and 3 | | 027F0086 | 027F0086 | 027F0086 | 027F0086 |
| Pos. 2 Alu gasket | 1 | | | | |
| 4 Alu gasket | 1 | | | | |
| 12 Gasket | 1 | | | | |
| 26 Gasket | 1 | | | | |
| 27 Gasket | 1 | | | | |
| A1 O-ring | 3 | | | | |
| A2 Gasket | 3 | | | | |
| A3 Gasket | 2 | | | | |
| Flange gaskets, figs. 2 and 3 | | 027F2175 | 027F2175 | 027F2175 | 027F2175 |
| Pos. A3 Gasket | 2 | | | | |