

Fig. 1

Description	Qty	Code no.
<b>WVFX 10 and 15</b> <b>Valve disc kit, g. 2</b>		<b>003N4006</b>
Pos. 3 Valve disc	2	
8 O-ring	2	
10 Screw	8	
20 Diaphragm	1	
Proba grease	2	
Key	1	
<b>WVFX 20</b> <b>Valve disc kit, g. 2</b>		<b>003N4007</b>
Pos. 3 Valve disc	1	
8 O-ring	2	
10 Screw	8	
20 Diaphragm	2	
Proba grease	1	
Key	1	
<b>WVFX 25</b> <b>Valve disc kit, g. 2</b>		<b>003N4008</b>
Pos. 3 Valve disc	1	
8 O-ring	2	
10 Screw	8	
20 Diaphragm	2	
Proba grease	1	
Key	1	
<b>WVFX 10-25</b> <b>Bellows unit including push pin, g. 2</b>		<b>003N0070</b>
Pos. 22 Element	1	
27 Label 3.5 to 16 bar	1	
27 Label 4 to 23 bar	1	
30 Thrust spindle	1	
<b>WVFX 10-25</b> <b>Bellows unit for ammonia, g. 2</b>		<b>003N0071</b>
Pos. 11 Union nut	1	
12 Alu gasket	1	
13 Welding connector	1	
22 Element	1	
27 Label	1	
30 Thrust spindle	1	
4 O-ring	2	

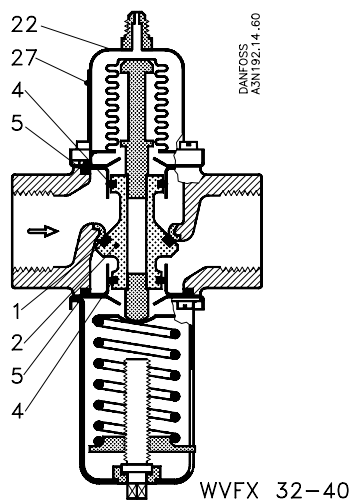


Fig. 2

Description	Qty	Code no.
<b>WVFX 32 and 40</b> <b>Bellows unit, g. 3</b>		<b>003F0070</b>
Pos. 22 Element	1	
27 Label	1	
<b>WVFX 32 and 40</b> <b>Piston kit, g. 3</b>		<b>003F0071</b>
Pos. 1 Sleeve	1	
2 Piston	1	
4 O-ring	2	
5 Rubber gasket	2	
Proba grease	1	
<b>WVFX 32 and 40</b> <b>Seal kit, g. 3</b>		<b>003F0072</b>
Pos. 4 O-ring	2	
5 Rubber gasket	2	

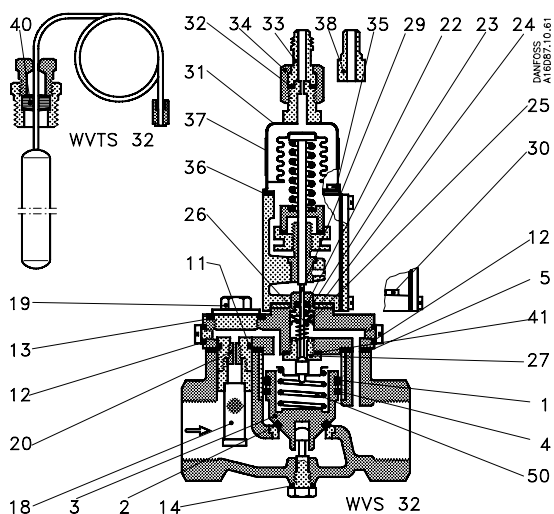


Fig. 3

Description	Qty	Code no.
<b>WVS 32</b>		
<b>Piston kit, g. 5</b>		<b>016D0065</b>
Pos. 1 Sleeve	1	
2 Piston seat ring	1	
3 Piston	1	
4 Piston ring	1	
5 Gasket	1	
Proba grease	1	
<b>Filter kit, g. 5</b>		<b>016D0090</b>
Pos. 11 O-ring	1	
13 Gasket	1	
18 Filter assembly	1	
Proba grease	1	
<b>Filter holder kit, g. 5</b>		<b>016D0094</b>
Pos. 11 O-ring	1	
13 Gasket	1	
19 Filter holder	1	
20 Ori ce	1	
<b>Pilot kit, g. 5</b>		<b>016D0100</b>
Pos. 15 Rubber gasket (for WVS 40-100, g. 6)	1	
16 O-ring (for WVS 40-100, g. 6)	1	
22 O-ring	1	
23 Bushing	1	
24 Sleeve	2	
25 Spring retainer	1	
26 Spring	1	
27 Pilot plate	1	
28 Insert (for WVS 40-100, g. 6)	1	
29 Pilot cone assembly	1	
30 Screw	2	
41 Gasket	1	
<b>Seal kit, g. 5</b>		<b>016D0081</b>
Pos. 55 Gasket	1	
11 O-ring	1	
12 Seal ring	2	
13 Gasket	1	
14 Gasket	1	
41 Gasket	1	
Proba grease	1	
<b>Spring, g. 5</b>		<b>016D1327</b>
Pos. 5 Spring 0-10 bar	1	

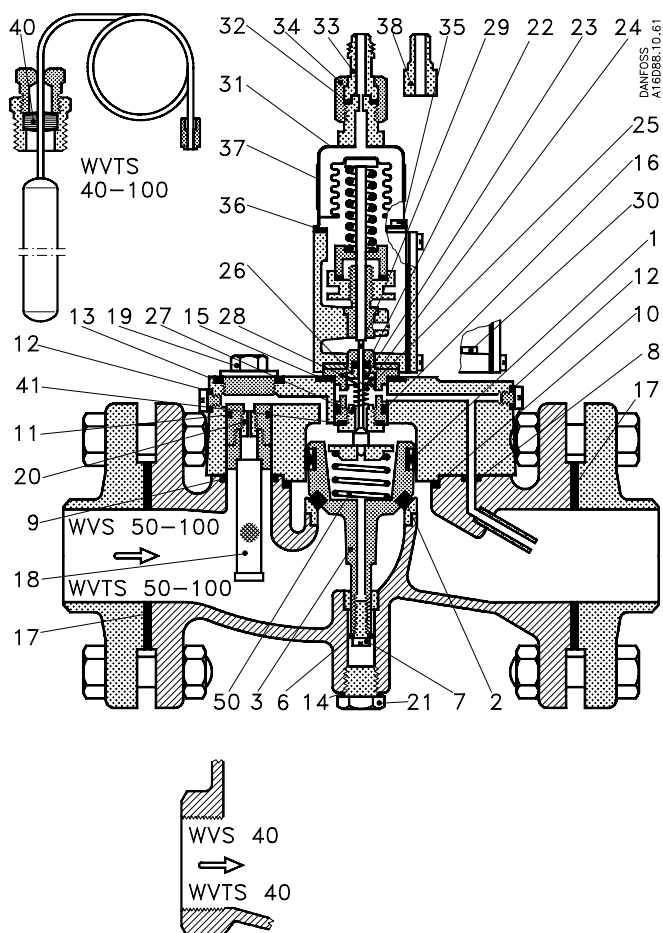


Fig. 4, WVS / WVTS 40-100

WVS / WVTS		Size 40	Size 50	Size 65	Size 80	Size 100
Description	Qty	Code no.	Code no.	Code no.	Code no.	Code no.
<b>Piston kit, g. 6</b>		<b>016D0060</b>	<b>016D0061</b>	<b>016D0062</b>	<b>016D0063</b>	<b>016D0064</b>
Pos. 1 Sleeve	1					
2 Piston seat ring	1					
3 Piston	1					
6 Cu gasket	1					
7 Screw	1					
8 O-ring	1					
9 O-ring	1					
10 O-ring	1					
Proba grease	1					
<b>Filter kit, g. 6</b>		<b>016D0091</b>	<b>016D0091</b>	<b>016D0092</b>	<b>016D0093</b>	<b>016D0093</b>
Pos. 11 O-ring	1					
13 Gasket	1					
18 Filter assembly	1					
Proba grease	1					
<b>Filter holder kit, g. 6</b>		<b>016D0094</b>	<b>016D0094</b>	<b>016D0094</b>	<b>016D0094</b>	<b>016D0094</b>
Pos. 11 O-ring	1					
13 Gasket	1					
19 Filter holder	1					
20 Ori ce	1					

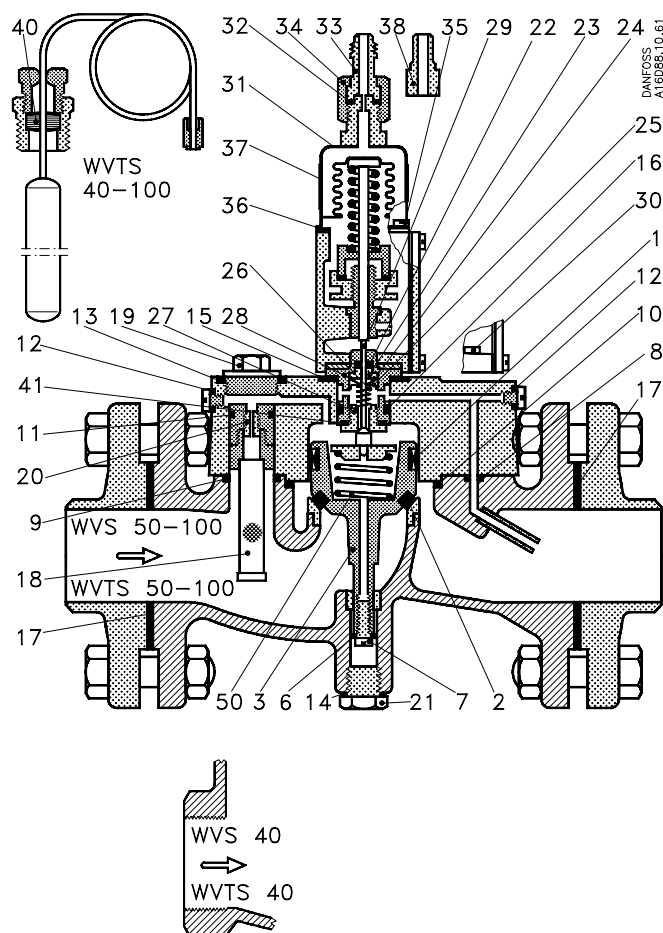


Fig. 5, WVS / WVTS 40-100

WVS / WVTS		Size 40	Size 50	Size 65	Size 80	Size 100
Description	Qty	Code no.	Code no.	Code no.	Code no.	Code no.
<b>Bottom plug, g.6</b>		<b>016D0087</b>	<b>016D0087</b>	<b>016D0087</b>	<b>016D0087</b>	<b>016D0087</b>
Pos. 14 Gasket	1					
21 Plug	1					
<b>Pilot kit, g.6</b>		<b>016D0100</b>	<b>016D0100</b>	<b>016D0100</b>	<b>016D0100</b>	<b>016D0100</b>
Pos. 15 Rubber gasket	1					
16 O-ring	1					
22 O-ring	1					
23 Bushing	1					
24 Sleeve	2					
25 Spring retainer	1					
26 Spring	1					
27 Pilot plate	1					
28 Insert	1					
29 Pilot cone assembly	1					
30 Screw	2					
41 Gasket	1					
<b>Spring, g.6</b>		<b>016D0575</b>	<b>016D0576</b>	<b>016D0577</b>	<b>016D0578</b>	<b>016D0579</b>
Pos. 50 Spring 0-10 bar	1					

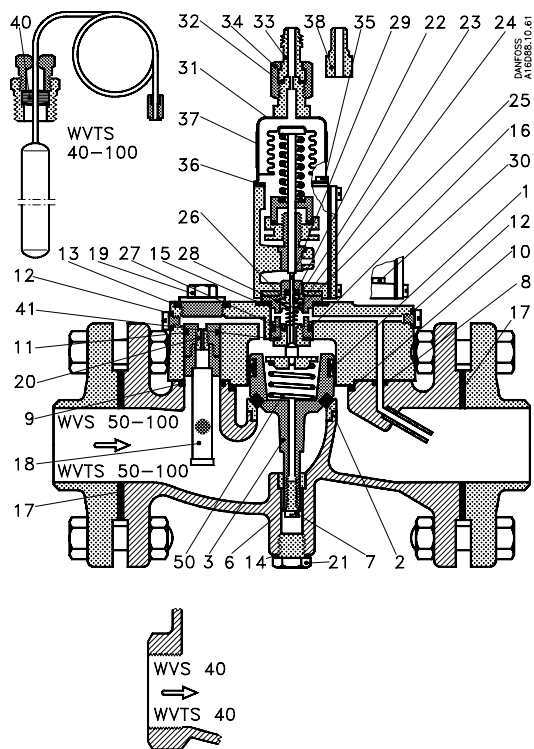


Fig. 6, WVS / WVTS 40 - 100

Description	Qty	Code no.
<b>Seal kit for WVS/WVTS 40, g.6</b>		<b>016D0082</b>
Pos. 8 O-ring	1	
9 O-ring	1	
10 O-ring	1	
11 O-ring	1	
12 Seal ring	2	
13 Gasket	1	
14 Gasket	1	
15 Rubber gasket	1	
16 O-ring	1	
Proba grease	1	
<b>Seal kit for WVS/WVTS 50, g.6</b>		<b>016D0083</b>
Pos. 8 O-ring	1	
9 O-ring	1	
10 O-ring	1	
11 O-ring	1	
12 Seal ring	2	
13 Gasket	1	
14 Gasket	1	
15 Rubber gasket	1	
16 O-ring	1	
17 Gasket	2	
Proba grease	1	
<b>Seal kit for WVS/WVTS 65, g.6</b>		<b>016D0084</b>
Pos. 8 O-ring	1	
9 O-ring	1	
10 O-ring	1	
11 O-ring	1	
12 Seal ring	2	
13 Gasket	1	
14 Gasket	1	
15 Rubber gasket	1	
16 O-ring	1	
17 Gasket	2	
Proba grease	1	
<b>Seal kit for WVS/WVTS 80, g.6</b>		<b>016D0085</b>
Pos. 8 O-ring	1	
9 O-ring	1	
10 O-ring	1	
11 O-ring	1	
12 Seal ring	2	
13 Gasket	1	
14 Gasket	1	
15 Rubber gasket	1	
16 O-ring	1	
17 Gasket	2	
Proba grease	1	
<b>Seal kit for WVS/WVTS 100, g.6</b>		<b>016D0086</b>
Pos. 8 O-ring	1	
9 O-ring	1	
10 O-ring	1	
11 O-ring	1	
12 Seal ring	2	
13 Gasket	1	
14 Gasket	1	
15 Rubber gasket	1	
16 O-ring	1	
17 Gasket	2	
Proba grease	1	

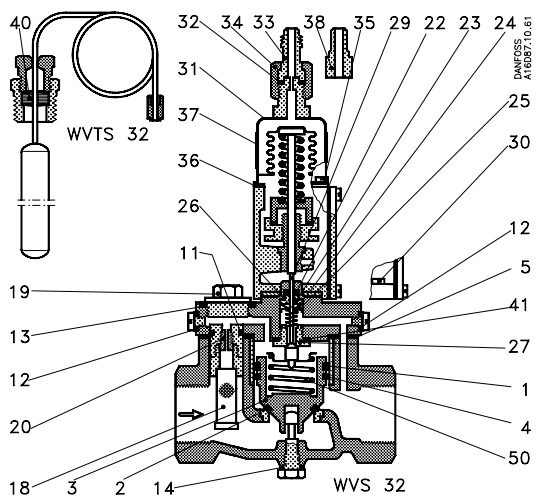


Fig. 7, WVS 32

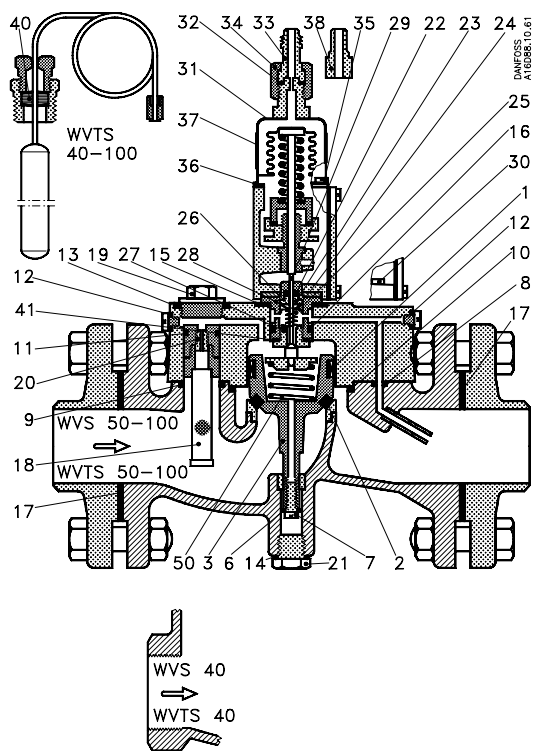


Fig. 8, WVS 40 - 100

Description	Qty	Code no.
<b>WVS 32 - 100</b>		
<b>Element 2.2-19 bar, gs. 7 and 8</b>		
Pos. 31 Element	1	<b>016D1040</b>
32 Alu-gasket	1	
33 Connector	1	
34 Union nut	1	
35 Screw	4	
36 Rubber gasket	1	
37 Label	1	
38 Welding connector	1	
<b>Element 25-65°C, 2 m cap. tube, gs. 7 and 8</b>		
Pos. 31 Element	1	<b>016D1044</b>
35 Screw	4	
36 Rubber gasket	1	
37 Label	1	
40 Rubber gasket	1	
<b>Element 25-65°C, 5 m cap. tube, gs. 7 and 8</b>		
Pos. 31 Element	1	<b>016D1048</b>
35 Screw	4	
36 Rubber gasket	1	
37 Label	1	
40 Rubber gasket	1	
<b>Element 50-90°C, 2 m cap. tube, gs. 7 and 8</b>		
Pos. 31 Element	1	<b>016D1046</b>
35 Screw	4	
36 Rubber gasket	1	
37 Label	1	
40 Rubber gasket	1	