

Fig. 1

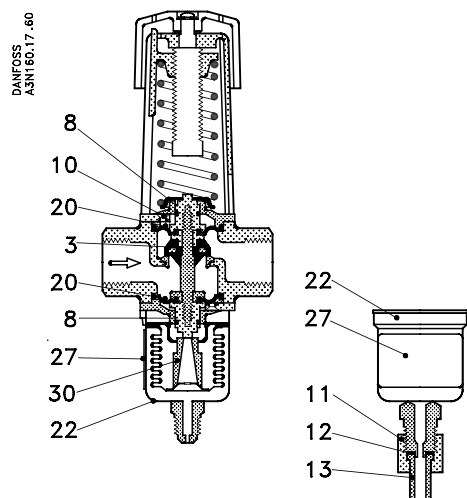


Fig. 2

Description	Qty	Code no.
WVFM 10 and 16		
Piston kit, fig. 1		
Pos. 1 Piston seat ring	1	003D0071
2 Piston	1	
4 O-ring	2	
5 Rubber gasket	2	
Proba grease	1	
Seal kit, fig. 1		
Pos. 5 Rubber gasket	2	003D0072
Bellows unit, fig. 1		
Pos. 22 Bellows element	1	003D0070
27 Label	1	
WVFX 10 and 15		
Valve disc kit, fig. 2		
Pos. 3 Valve disc	1	003N4006
8 O-ring	2	
10 Screw	8	
20 Diaphragm	2	
Proba grease	1	
Key	1	
WVFX 20		
Valve disc kit, fig. 2		
Pos. 3 Valve disc	1	003N4007
8 O-ring	2	
10 Screw	8	
20 Diaphragm	2	
Proba grease	1	
Key	1	
WVFX 25		
Valve disc kit, fig. 2		
Pos. 3 Valve disc	1	003N4008
8 O-ring	2	
10 Screw	8	
20 Diaphragm	2	
Proba grease	1	
Key	1	
WVFX 10-25		
Bellows unit including push pin, fig. 2		
Pos. 22 Element	1	003N0070
27 Label 3.5 to 16 bar	1	
27 Label 4 to 23 bar	1	
30 Thrust spindle	1	
WVFX 10-25		
Bellows unit for ammonia, fig. 2		
Pos. 11 Union nut	1	003N0071
12 Alu gasket	1	
13 Welding connector	1	
22 Element	1	
27 Label	1	
30 Thrust spindle	1	
4 O-ring	2	

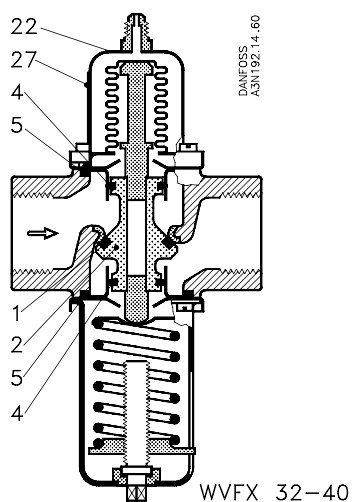


Fig. 3

Description	Qty	Code no.
WVFX 32 and 40 Bellows unit, fig. 3		003F0070
Pos. 22 Element	1	
27 Label	1	
WVFX 32 and 40 Piston kit, fig. 3		003F0071
Pos. 1 Sleeve	1	
2 Piston	1	
4 O-ring	2	
5 Rubber gasket	2	
Proba grease	1	
WVFX 32 and 40 Seal kit, fig. 3		003F0072
Pos. 4 O-ring	2	
5 Rubber gasket	2	