

Fig. 1, Small REG 3-10

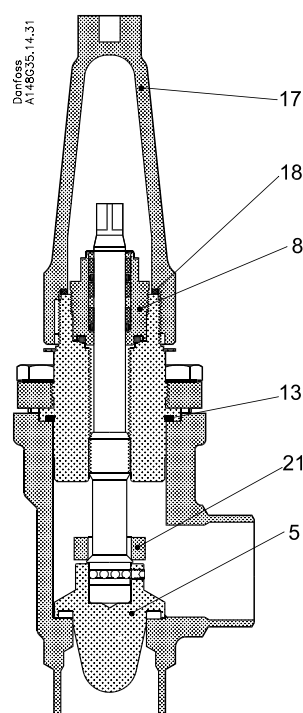


Fig. 2, Medium/large REG 15-40

Description	Type	Size 3-10 Small (1/8-3/8 in.)	Size 15-25 Medium (1/2-1 in.)	Size 25-40 Large (1-1 1/2 in.)
		Code no. For cone no. ()*	Code no. For cone no. ()*	Code no. For cone no. ()*
Spare part kit , for bonnet and cap (dismounting set) Pos. 13 O-ring for housing/bonnet 17 Cap incl. gasket 18 Gasket for cap	all	148B4070	148B4053	148B4008
Repair kit , complete set of gaskets Pos. 5 Cone complete incl. steel balls and Allen screw 8a Gaskets complete for packing gland 13 O-ring for housing/bonnet 18 Gasket for cap 21 Distance ring Allen key	See cone no.	(1) 2453+035	(4) 2453+038	(8) 2453+042
		(2) 2453+036	(5) 2453+039	(9) 2453+043
		(3) 2453+037	(6) 2453+040	(10) 2453+044
		-	(7) 2453+041	-
Packing gland incl. gaskets (with O-rings) Pos. 8 Packing gland incl. gaskets	all	148B4072	148B4056	148B4032
Cap incl. gasket Pos. 17 Cap incl. gasket	-	148B4074	148B4075	148B4076
Top without cone		148G3515	-	-
Top without cone – before January 2003		-	148G3516	148G3517
Top without cone – after January 2003		-	148G3518	148G3519
Grease for packing gland (tube)	-	2452+143	2452+143	2452+143

* **Note:**
Cone No. equal to last digit in type designation (e.g. REG 15 A XXn, n = cone no.)

Top: Complete valve without housing