

Fig. 1, Piston assembly

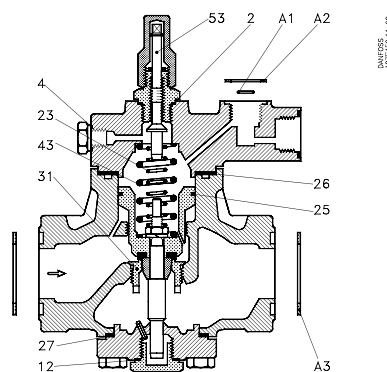


Fig. 2, PMFL

Description	Qty	Size 80-1	Size 80-2	Size 80-3	Size 80-4	Size 80-5
		Code no.	Code no.	Code no.	Code no.	Code no.
Piston assembly, fig. 1		027F0238	027F0239	027F0240	027F0241	027F0242
Pos. 1 Piston	1					
2 Nut	1					
3 Spring washer	1					
4 Valve plate	1					
5 Regulating cone	1					
6 Push rod	1					
7 Piston ring	1					
Valve plate, fig. 1		027F0689	027F0689	027F0689	027F0690	027F0690
Pos. 4 Valve plate	1					
Manual setting device, fig. 2		027F2131	027F2131	027F2131	027F2131	027F2131
Pos. 2 Alu gasket	1					
53 Setting device assy	1					
Piston ring, fig. 2		027F0650	027F0650	027F0650	027F0650	027F0650
Pos. 25 Piston ring	1					
Orifice, fig. 2		027F0667	027F0667	027F0667	027F0668	027F0668
Pos. 31 Orifice	1					
Spring set "STANDARD", fig. 2		027F0916	027F0916	027F0916	027F0916	027F0916
Pos. 23 Spring	1					
43 Spring	1					
Spring set "WEAK", fig. 2		027F0123	027F0123	027F0123	027F0123	027F0123
Pos. 23 Spring	1					
43 Spring	1					
Label	1					
Spring set "STRONG", fig. 2		027F0118	027F0118	027F0118	027F0118	027F0118
Pos. 23 Spring	1					
43 Spring	1					
Label	1					
Seal kit, fig. 2		027F0086	027F0086	027F0086	027F0086	027F0086
Pos. 2 Alu gasket	1					
4 Alu gasket	1					
12 Gasket	1					
26 Gasket	1					
27 Gasket	1					
A1 O-ring	3					
A2 Gasket	3					
A3 Gasket	2					
Seal kit, fig. 2		027F2170	027F2170	027F2170	027F2170	027F2170
Pos. 26 Gasket	1					
27 Gasket	1					
Flange gaskets, fig. 2		027F2175	027F2175	027F2175	027F2175	027F2175
Pos. A3 Gasket	2					

Flanges, bolts and nuts: See RX00A

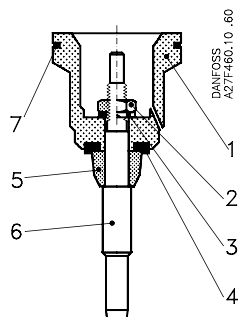


Fig. 1, Piston assembly

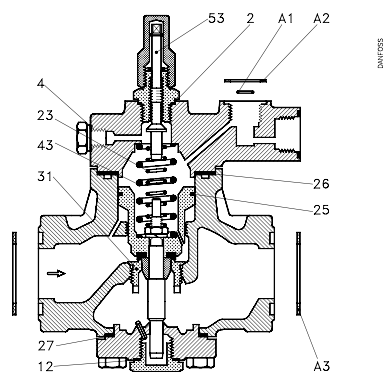


Fig. 2, PMFL

		Size 80-6	Size 80-7	Size 125	Size 200	Size 300
Description	Qty	Code no.	Code no.	Code no.	Code no.	Code no.
Piston assembly, fig. 1		027F0243	027F0244	027F0245	027F0246	027F0247
Pos. 1 Piston	1					
2 Nut	1					
3 Spring washer	1					
4 Valve plate	1					
5 Regulating cone	1					
6 Push rod	1					
7 Piston ring	1					
Valve plate, fig. 1		027F0690	027F0690	027F0691	027F0683	027F0684
Pos. 4 Valve plate	1					
Manual setting device, fig. 2		027F2131	027F2131	027F2132	027F2132	027F2133
Pos. 2 Alu gasket	1					
53 Setting device assy	1					
Piston ring, fig. 2		027F0650	027F0650	027F0651	027F0652	027F0653
Pos. 25 Piston ring	1					
Orifice, fig. 2		027F0668	027F0668	027F0679	027F0680	027F0681
Pos. 31 Orifice	1					
Spring set "STANDARD", fig. 2		027F0916	027F0916	027F0917	027F0918	027F0919
Pos. 23 Spring	1					
43 Spring	1					
Spring set "WEAK", fig. 2		027F0123	027F0123	027F0124	027F0125	027F0126
Pos. 23 Spring	1					
43 Spring	1					
Label	1					
Spring set "STRONG", fig. 2		027F0118	027F0118	027F0119	027F0120	027F0121
Pos. 23 Spring	1					
43 Spring	1					
Label	1					
Seal kit, fig. 2		027F0086	027F0086	027F0087	027F0088	027F0089
Pos. 2 Alu gasket	1					
4 Alu gasket	1					
12 Gasket	1					
26 Gasket	1					
27 Gasket	1					
A1 O-ring	3					
A2 Gasket	3					
A3 Gasket	2					
Seal kit, fig. 2		027F2170	027F2170	027F2171	027F2172	027F2173
Pos. 26 Gasket	1					
27 Gasket	1					
Flange gaskets, fig. 2		027F2175	027F2175	027F2176	027F2177	027F2178
Pos. A3 Gasket	2					

Flanges, bolts and nuts: See RX00A