

Fig. 1 – before May 2002

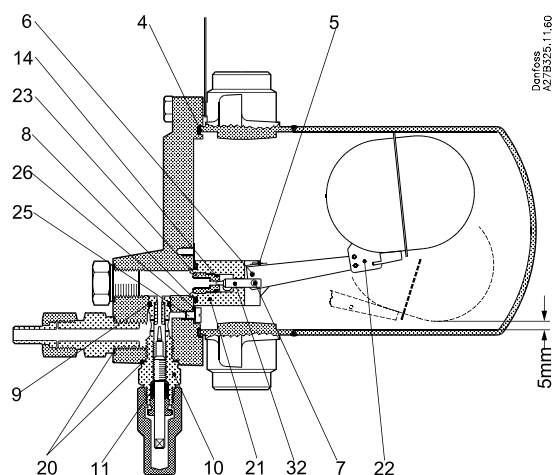


Fig. 2 – after May 2002

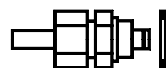


Fig. 3



Fig. 4



Fig. 5

Description	Qty	Size 1	Size 3
		Code no.	Code no.
<b>Insert assembly, fig. 1 and fig. 2</b>		<b>027B2051</b>	<b>027B2053</b>
Pos. 5 Clamp	1		
6 Pin	1		
7 Pin	1		
8 O-ring	1		
14 O-ring	1		
19 Spring washer	2		
21 Valve body	1		
22 Float assembly	1		
23 Orifice	1		
25 Screw	2		
28 Nut	2		
32 Needle	1		
<b>Service kit, fig. 1 and fig. 2</b>		<b>027B2055</b>	<b>027B2056</b>
Pos. 6 Pin	1		
7 Pin	1		
14 O-ring	1		
23 Orifice	1		
32 Needle	1		
<b>Bypass valve, fig. 1 and fig. 2</b>		<b>027B2046</b>	<b>027B2046</b>
Pos. 9 O-ring	1		
10 Valve assembly	1		
20 Gasket	1		
<b>Seal kit, fig. 1 and fig. 2</b>		<b>027B2045</b>	<b>027B2045</b>
Pos. 4 Gasket	1		
8 O-ring	1		
9 O-ring	1		
11 Teflon gasket	1		
14 O-ring	1		
20 Gasket	2		
26 Gasket	1		
<b>Seal kit, fig. 1 and fig. 2</b>		<b>027B2061</b>	<b>027B2061</b>
Pos. 4 Gasket	1		
<b>Accessories</b>			
<b>Pilot connector, fig. 3</b>		<b>027B2047</b>	<b>027B2047</b>
for solder/weld ID 6.5/OD 10 mm			
Nipple assembly	1		
Gasket	1		
<b>Seal kit, fig. 4</b>		<b>027B2028</b>	<b>027B2028</b>
for solder/weld pilot connector			
Alu gasket	4		
Gasket	4		
<b>Pilot connector, fig. 5</b>		<b>027B2033</b>	<b>027B2033</b>
3/8 in. flare			
Nipple	1		
Gasket	1		