

Fig. 1, TEA

Description	Qty	Code no.	Code no.	Code no.
<b>Orifice assembly, fig. 1</b>				1 TR
Pos. 3 Damping orifice	1			<b>068G2050</b>
4 O-ring	1			
5 Gasket	1			
9 Orifice assembly	1			
<b>Orifice assembly, fig. 1</b>		2 TR	3 TR	5 TR
Pos. 4 O-ring	1	<b>068G2051</b>	<b>068G2052</b>	<b>068G2053</b>
5 Gasket	1			
9 Orifice assembly	1			
<b>Orifice assembly, fig. 1</b>		8 TR	12 TR	20 TR
Pos. 4 O-ring	1	<b>068G2054</b>	<b>068G2055</b>	<b>068G2056</b>
5 Gasket	1			
9 Orifice assembly	1			
<b>Orifice assembly, fig. 1</b>		33 TR	55 TR	85 TR
Pos. 4 O-ring	1	<b>068G2057</b>	<b>068G2058</b>	<b>068G2059</b>
5 Gasket	1			
9 Orifice assembly	1			
<b>Seal kit, TEA 20, fig. 1</b>			<b>068G0051</b>	
Pos. 1 Gasket	1			
2 Gasket	1			
4 O-ring	1			
5 Gasket	1			
23 Flange gasket	2			
<b>Seal kit, TEA 85, fig. 1</b>			<b>068G0053</b>	
Pos. 1 Gasket	1			
2 Gasket	1			
4 O-ring	1			
5 Gasket	1			
23 Gasket	2			

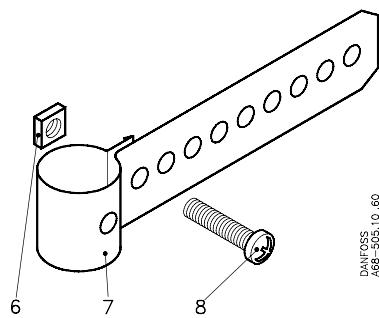


Fig. 2

<b>Accessories</b>				
<b>Bulb strap, fig. 2</b>			<b>068-1212</b>	
for max. dia. 35 mm tube				
Pos. 6 Nut	1			
7 Strap	1			
8 Screw	1			

TR = Tons of Refrigeration