

Fig. 1,  
EVM (NC) with plug-in connection of armature tube

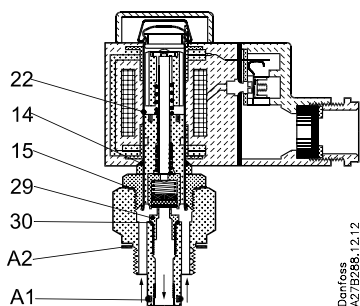


Fig. 2,  
EVM (NO) with plug-in connection of armature tube

Description	Qty	Code no.
<b>EVM (NC), fig. 1</b>		
<b>Service kit</b>		
Pos. 11 Nut	1	<b>032F1116</b>
12 Snap fastener	1	
13 O-ring	1	
14 O-ring	1	
15 Alu gasket	1	
16 Armature assembly, teflon	1	
29 Orifice	1	
30 Alu gasket	1	
A1 O-ring	1	
A2 Gasket	1	
<b>EVM (NO), fig. 2</b>		
<b>Service kit</b>		
Pos. 12 Snap fastener	1	<b>032F1117</b>
13 O-ring	1	
14 O-ring	1	
15 Alu gasket	1	
22 NO armature assembly, teflon	1	
29 Orifice	1	
30 Alu gasket	1	
32 Spacer	1	
34 Nut	1	
A1 O-ring	1	
A2 Gasket	1	
<b>EVM (NC/NO), fig. 1 and 2</b>		
<b>Seal kit</b>		
Pos. 13 O-ring	1	<b>032F0209</b>
14 O-ring	1	
30 Alu gasket	1	
A1 O-ring	1	
A2 Gasket	1	
<b>EVM (NC/NO), fig. 1 and 2</b>		
<b>Seal kit</b>		
Pos. A1 O-ring	1	<b>027F0666</b>
A2 Gasket	1	
<b>EVM (NC), fig. 1</b>		
<b>Seal kit</b>		
Pos. 11 Nut	1	<b>018Z0093</b>
12 Snap fastener	1	
13 O-ring	1	
14 O-ring	1	
B1 Label	1	
<b>EVM (NO), fig. 3</b>		
<b>Seal kit</b>		
Pos. 12 Snap fastener	1	<b>018Z0091</b>
13 O-ring	1	
14 O-ring	1	
34 Nut	1	